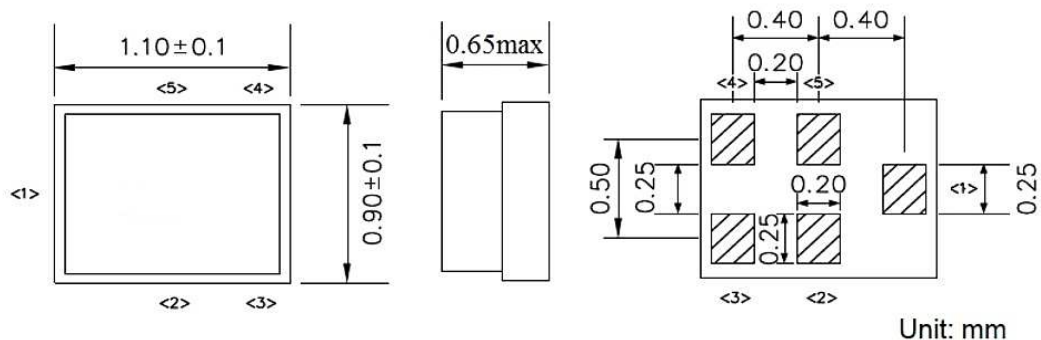


- ❖ Low-Loss RF Filter for Mobile Phone Band 41 Systems, Receive Path (RX)
- ❖ Useable Pass Band 100MHz
- ❖ Impedance Transform from 50Ω to 100Ω
- ❖ Unbalanced to Balanced Operation

Electrical Specification

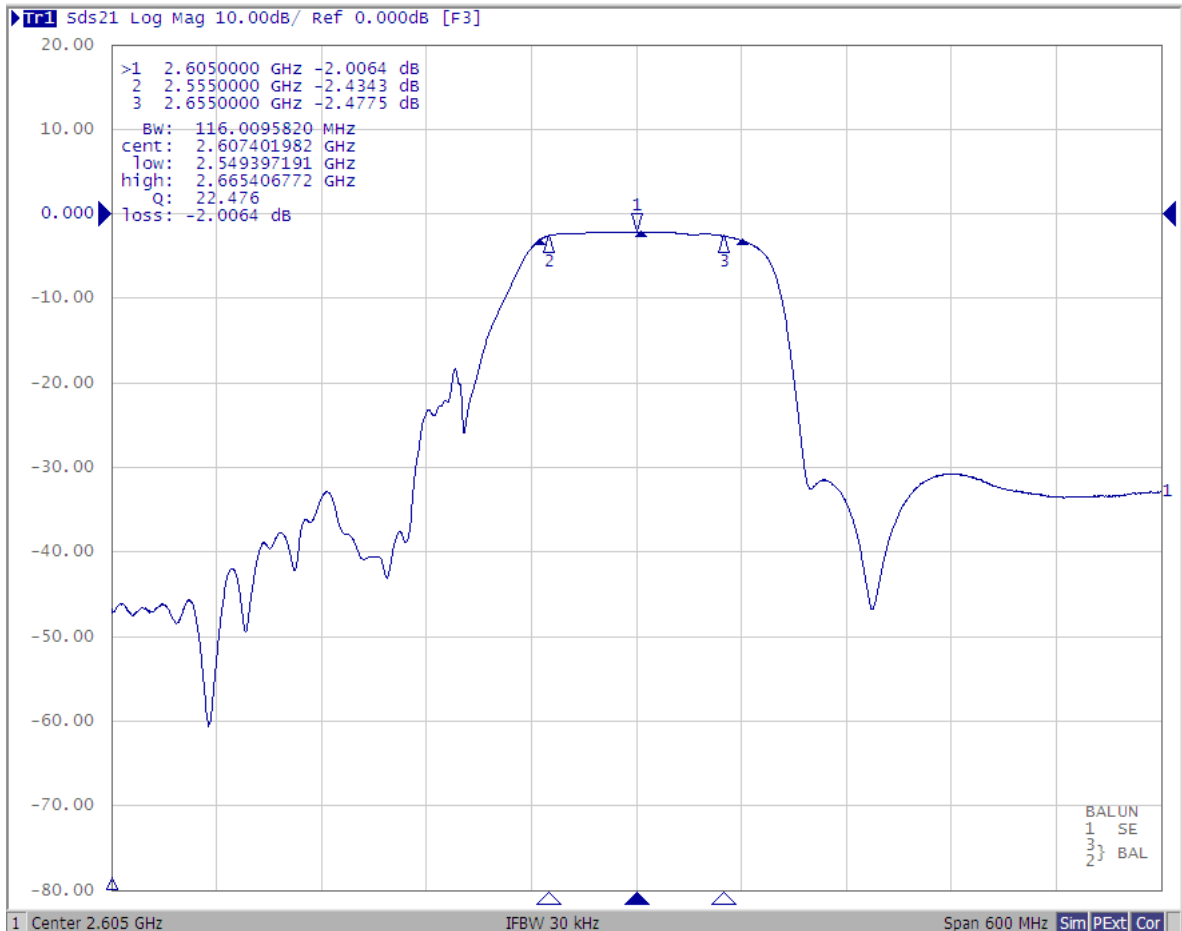
Parameters		Value	Unit
Center Frequency (Fo)		2605.000	MHz
Insertion Loss, typ/max	2555 ~ 2655 MHz	2.2 / 3.0	dB
Pass Band Ripple, typ/max	2555 ~ 2655 MHz	0.7 / 2.0	dB
VSWR within, typ/max	2555 ~ 2655 MHz	1.4 / 2.0	-
Amplitude Balance, typ/max	2555 ~ 2655 MHz	±1.0 / ±1.5	dB
Phase Balance, typ/max	2555 ~ 2655 MHz	±4.0 / ±10.0	°
Attenuation, Min/typ	DC ~ 1610 MHz	-45 / -50	dB
	1610 MHz ~ 2170 MHz	-40 / -45	dB
	2170 MHz ~ 2400 MHz	-33 / -40	dB
	2400 MHz ~ 2483 MHz	-20 / -30	dB
	2750 MHz ~ 4900 MHz	-30 / -33	dB
	4900 MHz ~ 6000 MHz	-35 / -45	dB
ESD voltage Sensitive discharge device	ESD(HBM)	50	VDC
	ESD(MM)	175	VDC
Input Power, max, 2000h		15	dBm
DC Voltage		5	V
Terminating Source Impedance, Unbalanced		50 // 1.5	Ω // nH
Terminating Load Impedance, Balanced		100 // 6.8	Ω // nH
Operating temperature range		-30 to +85	°C
Storage Temperature		-40 to +85	°C

Dimension

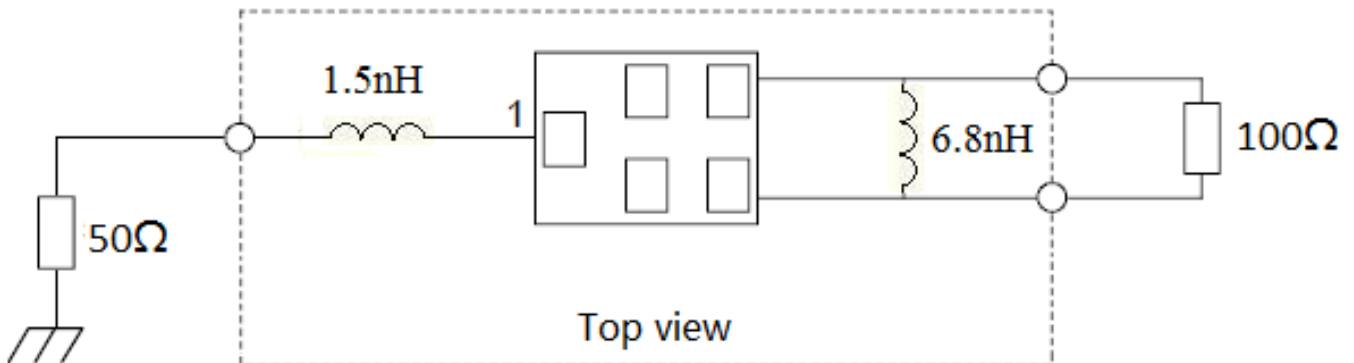


PIN #	PIN NAME	DESCRIPTION
1	IN	Input
3, 4	OUT	Output
2, 5	GND	Ground

Frequency Characteristics



Test Circuit

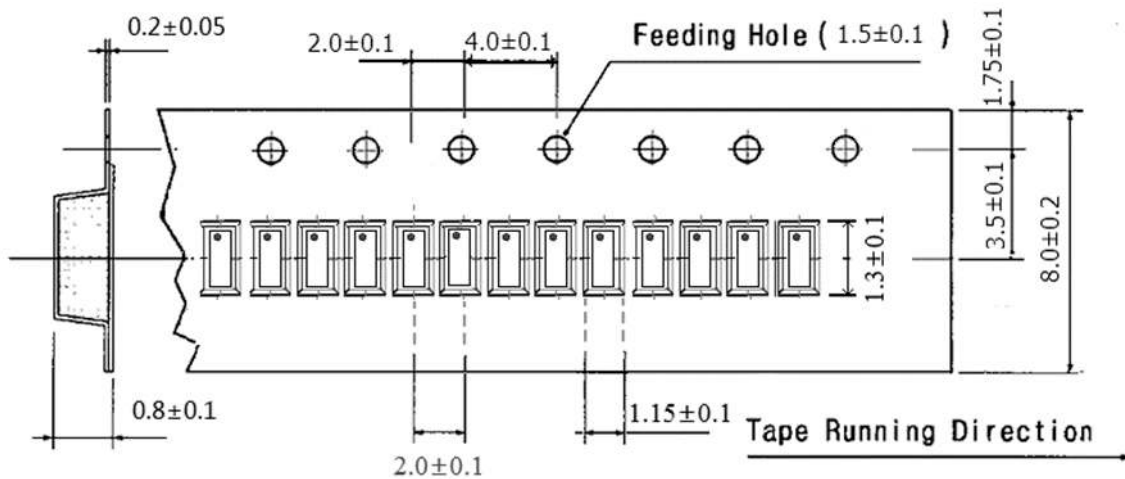


Environmental

PARAMETER	VALUE
MOISTURE SENSITIVITY LEVEL	2
REACH – SVHC	Compliant
RoHS	Compliant
PACKAGING	TAPE & REEL



Tape Dimension



APPROVAL

DRAWN BY	ZZ, August 12, 2021
APPROVED BY	AR, August 12, 2021
REVISION	A, Initial Release

Raltron Electronics / RAMI Technology USA, LLC, including its affiliates, employees, agents and other persons acting on its behalf (collectively Raltron/RAMI Tech), disclaim any and all liability for any errors or inaccuracies contained in this data sheet. While Raltron/RAMI Tech has made every reasonable effort ensure the accuracy of all product information, specifications and data contained herein, Raltron/RAMI Tech does not guarantee that the information is accurate, reliable or current. The product information is provided only for reference purposes only and is subject to change, correction or revision, at any time without notice. Raltron/RAMI Tech does not assume any liability arising out of an application or use of any product described herein and disclaims any warranties expressed or implied. The user of products in such applications shall assume all risks of such use and will agree to hold Raltron/RAMI Tech, harmless against all damages.

Copyright © 2016, Raltron Electronics / RAMI Technology USA, LLC. All rights reserved. No part of this document may be reproduced in any form without the prior written permission of Raltron Electronics / RAMI Technology USA, LLC.