

# SH-Z2300 - Metal protective cap



1622141

<https://www.phoenixcontact.com/us/products/1622141>

Please be informed that the data shown in this PDF document is generated from our online catalog. Please find the complete data in the user documentation. Our general terms of use for downloads are valid.

Metal protective cap, degree of protection: IP67, Alternative product in accordance with RoHS II without Exemption 6c (Pb <0.1%) item no.: 1244542



## Commercial data

Item number	1622141
Packing unit	1 pc
Minimum order quantity	10 pc
Sales key	AB38
Product key	ABRGAB
Catalog page	Page 182 (C-2-2019)
GTIN	4055626277516
Weight per piece (including packing)	30.53 g
Weight per piece (excluding packing)	30.53 g
Customs tariff number	74198090
Country of origin	DE

# SH-Z2300 - Metal protective cap



1622141

<https://www.phoenixcontact.com/us/products/1622141>

## Technical data

### Product properties

Product type	Protective cap
--------------	----------------

### Environmental and real-life conditions

#### Ambient conditions

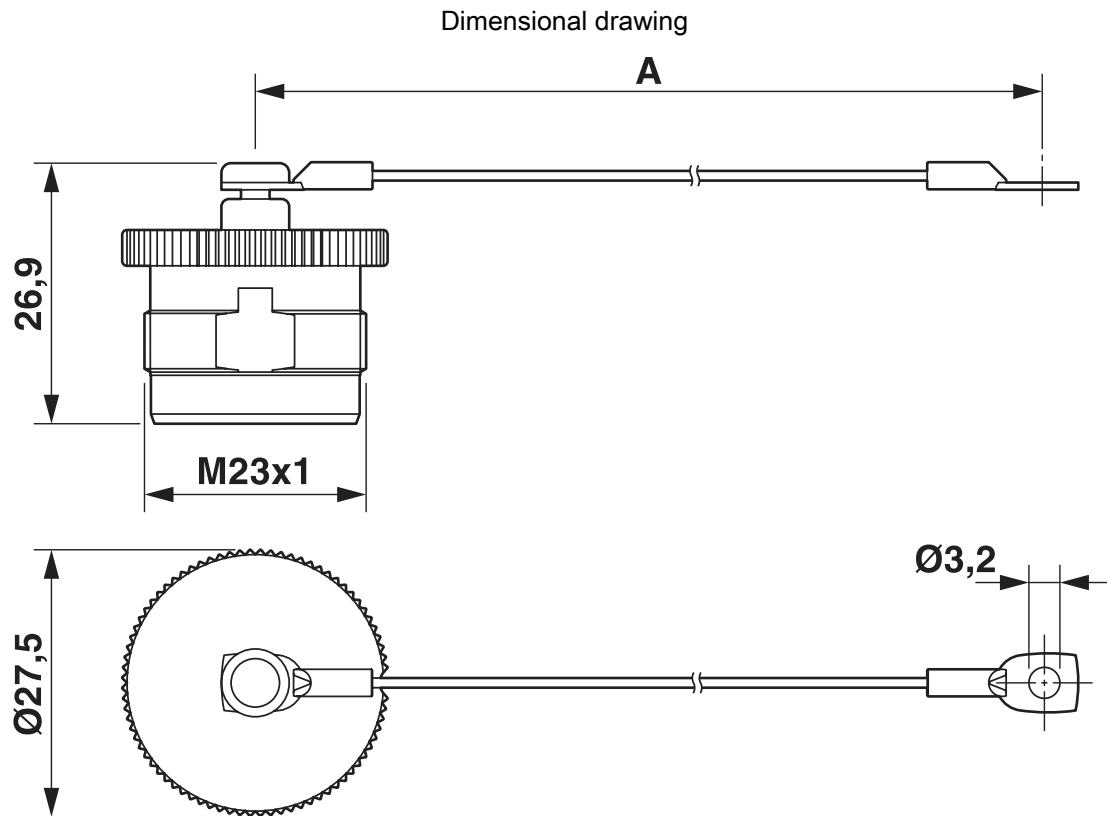
Degree of protection	IP67
----------------------	------

# SH-Z2300 - Metal protective cap

1622141

<https://www.phoenixcontact.com/us/products/1622141>

## Drawings



Dimension A = 100 mm

# SH-Z2300 - Metal protective cap



1622141

<https://www.phoenixcontact.com/us/products/1622141>

## Classifications

### ECLASS

ECLASS-11.0	27440208
ECLASS-12.0	27440208
ECLASS-13.0	27440208

### ETIM

ETIM 8.0	EC002314
----------	----------

### UNSPSC

UNSPSC 21.0	39121400
-------------	----------

# SH-Z2300 - Metal protective cap



1622141

<https://www.phoenixcontact.com/us/products/1622141>

## Environmental product compliance

REACH SVHC	Lead 7439-92-1
China RoHS	Environmentally Friendly Use Period = 50 years
	For information on hazardous substances, refer to the manufacturer's declaration available under "Downloads"

Phoenix Contact 2023 © - all rights reserved  
<https://www.phoenixcontact.com>

Phoenix Contact USA  
586 Fulling Mill Road  
Middletown, PA 17057, United States  
(+717) 944-1300  
[info@phoenixcon.com](mailto:info@phoenixcon.com)