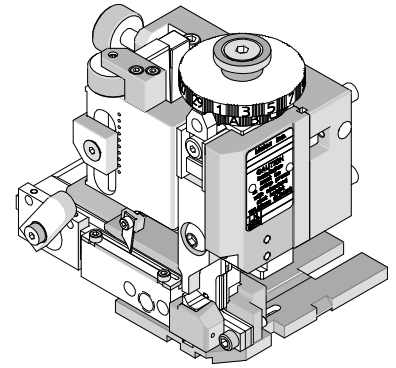




**Mini-Mac Applicator
Specification Sheet
Order No. 63893-4100**



FEATURES

- Directly adapts to most automatic wire processing machines
- Applicator designed to industry standard mounting and shut height 135.80mm (5.346")
- Quick set-up time; plus the crimp height, track and feed adjustments can be set without removing the applicator from the press
- Fine adjustment allows users to achieve target with little effort by adjusting in increments of .015mm (.0006") for barrel crimp height and .063mm (.0025") for insulation height. See notes on Page 2.
- Independent adjustment rings allow users to quickly adjust the barrel or insulation crimp height without affecting each other.

SCOPE

Products: Board-In Crimp Terminal Male, 18-24 AWG.

Terminal Series No.	Terminal Order No.		Wire Size		Insulation Diameter Maximum		Strip Length	
			AWG	mm ²	mm	In.	mm	In.
4706	02-07-2101	50-29-1688	18-24	0.80-0.20	3.05	.120	5.97-6.35	.235-.250

DEFINITION OF TERMS

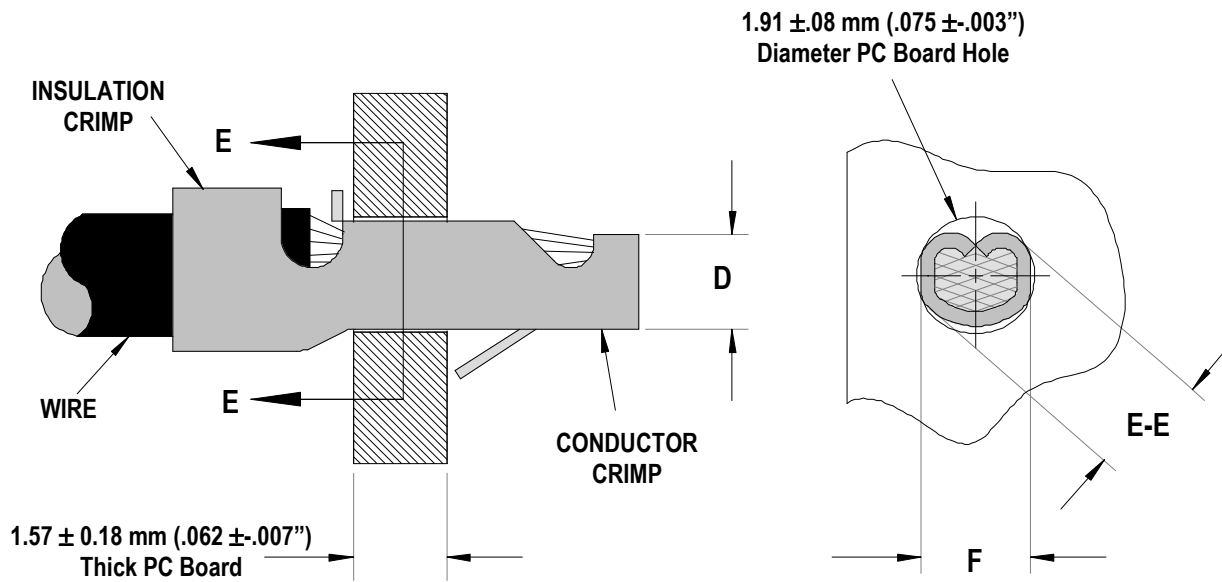


Figure 1

Section E-E

CRIMP SPECIFICATIONS

After crimping, the conductor profiles should measure the following (See Figure 1).

Terminal Series No.	Wire Size		Dimensions (Figure 1)						Pull Force Min.	
			D (Ref.)(Conductor)		E-E (Barrel)		F (Ref.)			
	AWG	mm ²	mm	In.	mm	In.	mm	In.	N	Lb.
4706	18	0.80	1.12	.044	1.72-1.78	.068-.070	.055	1.40	13.34	3.0
	20	0.50	1.12	.044	1.72-1.78	.068-.070	.055	1.40	13.34	3.0
	T 22	0.35	0.97	.038	1.72-1.78	.068-.070	.055	1.40	13.34	3.0
	T 24	0.20	0.97	.038	1.72-1.78	.068-.070	.055	1.40	13.34	3.0
T For 22 and 24 AWG See Note 2.										

The crimp on this terminal is not an electrical crimp; the final soldering operation is the electrical connection. This minimum force is what should be expected when pulling the terminal with both insulation and conductor crimped.

Notes:

- 1 The Conductor crimp (D dimension in Figure 1) should be set at the maximum height to contain all wire strands, meet minimum pull, and fit into the PCB Hole. The insulation and barrel crimps are adjustable, by the cams (rings) on top of the Mini-Mac ram. The conductor crimp height is not adjustable. Shimming may be required of the conductor punch to optimize this for different wire types.
- 2 To achieve the reference “D” dimension listed in the chart above, a (.38mm) .015” thick shim is required. These shims are not supplied with the applicator. The shim should be located between the ram and the conductor punch. See Figure 2.

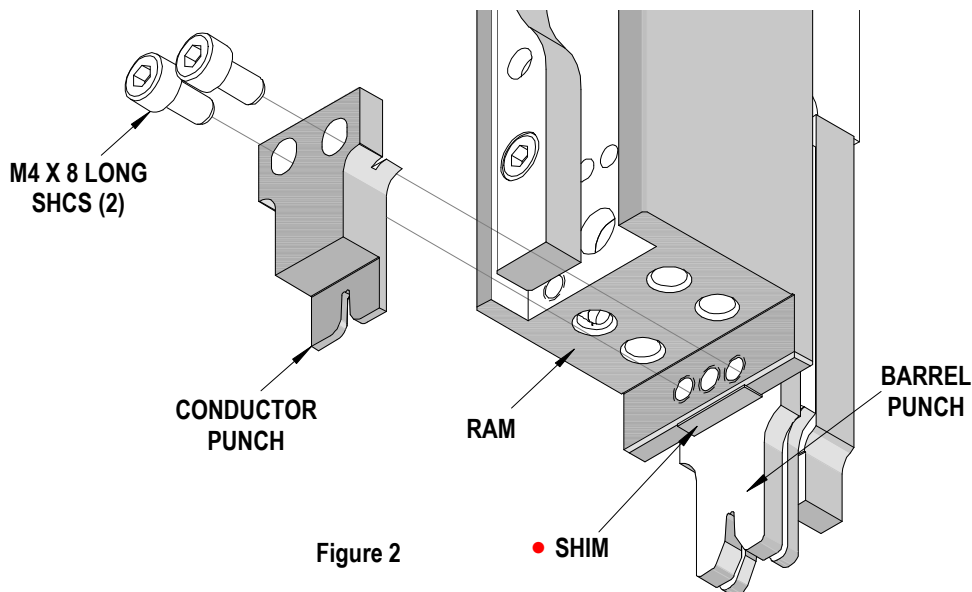


Figure 2

- Shim location for Conductor Punch. Shim size should be .38 by 3.2 by 12.7mm (.015 by 1/8 by 1/2”).

PARTS LIST

Mini-Mac Applicator 63893-4100				
Item	Order No	Engineering No.	Description	Quantity
Perishable Tooling				
	63893-4170	63893-4170	Tool Kit (All "Y" Items)	REF
1	11-18-4220	60714-16	Conductor Punch	1 Y
2	11-18-4213	60714-9	Insulation Punch	1 Y
3	11-18-4787	60714B104	Conductor Anvil	1 Y
4	11-18-4212	60714-8	Insulation Anvil	1 Y
5	11-18-4219	60714-15	Barrel Form Punch	1 Y
6	11-18-4788	60714B109	Barrel Form Anvil	1 Y
7	63893-4105	63893-4105	Front Cut-off Plunger	1 Y
8	11-18-4176	60718-15	Front Plunger Guide Block	1 Y
Other Components (REF 934150)				
9	11-18-4083	60707-8	Feed Guide	1
10	11-18-4167	60718-6	Plunger Striker	1
11	11-18-4206	60714-2	Cover Plate	1
12	11-18-4207	60714-3	Wire Stop	1
13	11-18-4208	60714-4	Rear Plunger Retainer	1
14	11-18-4209	60714-5	Insulation Punch Spacer	1
15	11-18-4789	60714B113	Terminal Guide	1
16	11-18-4944	60710-21	Cut-off Plunger Spring	2
17	63803-5109	63803-5109	Conductor Bushing	1
Frame				
18	63801-3201	63801-3201	Top	1
19	63801-3282	63801-3282	Base	1
20	63801-6550	63801-6550	Track	1
Hardware				
21	N/A	N/A	M3 by 5 Long SHCS	2**
22	N/A	N/A	M3 by 8 Long SHCS	2**
23	N/A	N/A	M4 by 8 Long SHCS	2**
24	N/A	N/A	M4 by 10 Long SHCS	2**
25	N/A	N/A	M8 by 20 Long BHCS	1**
26	N/A	N/A	#8-32 by 3/8" Long BHCS	4**
27	N/A	N/A	#10-32 by 3/4" Long SHCS	1**
** Available from an industrial supply company such as MSC (1-800-645-7270).				

Assembly Drawing

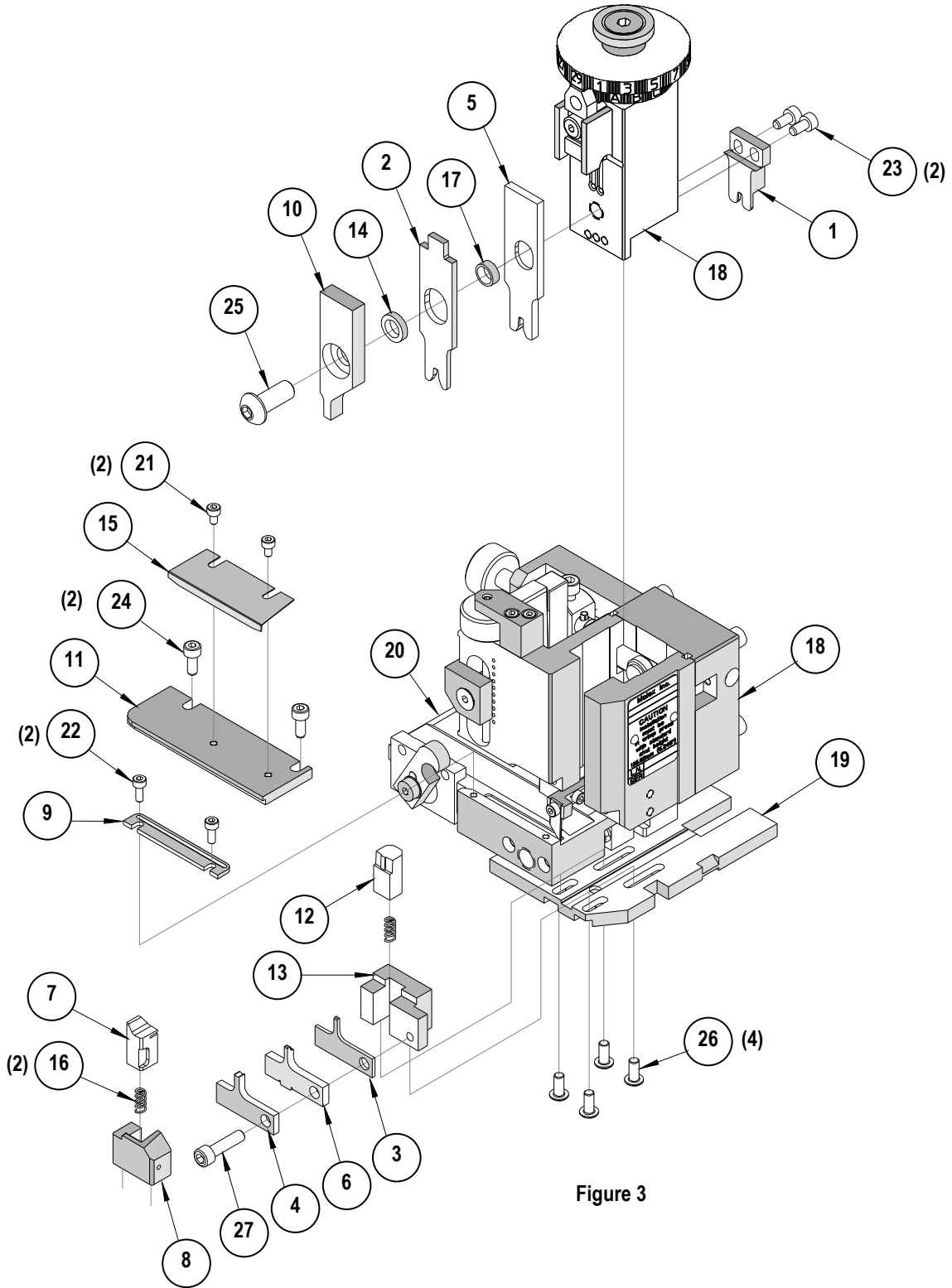


Figure 3

NOTES

1. Molex recommends an extra perishable tooling kit be maintained at your facility.
2. Verify tooling alignment by manually cycling the press and applicator before crimping under power. Check that all screws are tight.
3. Slugs, terminals, dirt, and oil should be kept clear of work area.
4. Wear safety glasses at all times.
5. For recommended maintenance refer to the Mini-Mac Manual.

CAUTION: This applicator should only be used in a press with a shut height of 135.80 mm (5.346"). Tooling damage could result at a lower setting

CAUTION: To prevent injury, never operate this applicator without the guards supplied with the press or wire-processing machine in place. Reference the press or wire processing manufacturer's instruction manual.

CAUTION: Molex crimp specifications are valid only when used with Molex terminals, applicators and tooling.

Contact Information

For more information on Molex application tooling please contact Molex at 1-800-786-6539.

Americas Headquarters

Lisle, Illinois 60532 U.S.A.
1-800-78MOLEX
amerinfo@molex.com

Far East North Headquarters

Yamato, Kanagawa, Japan
81-462-65-2324
feninfo@molex.com

Far East South Headquarters

Jurong, Singapore
65-6-268-6868
fesinfo@molex.com

European Headquarters

Munich, Germany
49-89-413092-0
eurinfo@molex.com

Corporate Headquarters

2222 Wellington Ct.
Lisle, IL 60532 U.S.A.
630-969-4550
Fax: 630-969-1352

Visit our Web site at <http://www.molex.com>