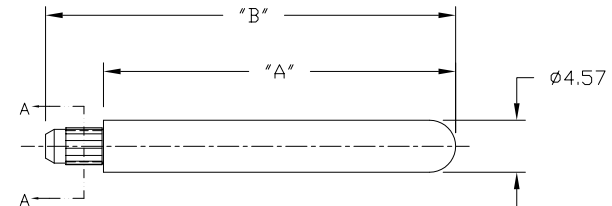
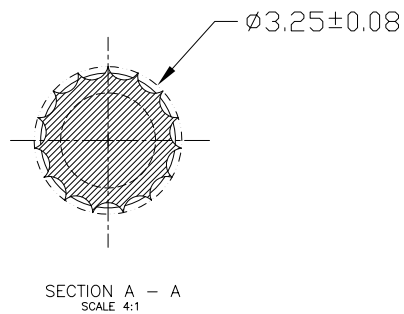
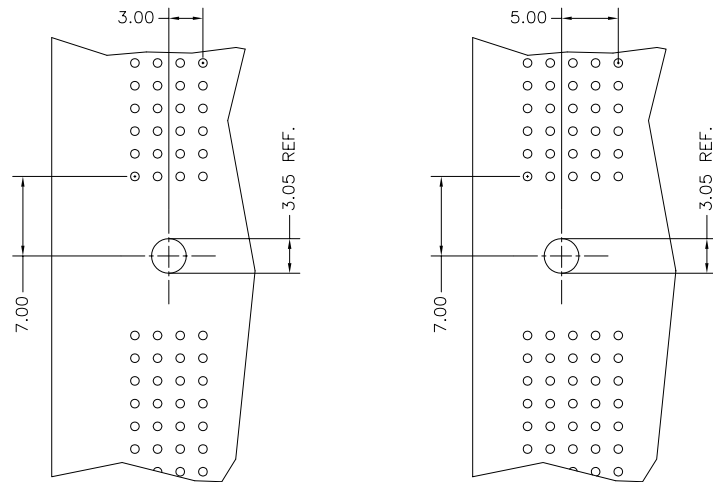


PRODUCT NUMBER	DIMENSIONS	
	"A"	"B"
74748-101	31.00	36.10
74748-102	20.02	25.12



NOTES:

- MATERIAL: STAINLESS STEEL, TYPE 303.
FINISH: PASSIVATED.
- THIS GUIDE PIN IS INTENDED TO BE INSERTED INTO A 3.05 ± 0.08 NONPLATED THROUGH HOLE.
- SHORT GUIDE PINS TO BE USED WHEN A PCB STIFFENER IS PRESENT ON BOARD.
- THIS GUIDE PIN IS TO BE USED WITH RECEPTACLE P/N 88917 FOR A 4 ROW APPLICATION, AND P/N 73474 FOR A 5 ROW APPLICATION.
- PART NUMBERS WITH "LF" SUFFIX AT THE END ARE LEAD FREE OPTION.
- THIS PRODUCT MEETS EUROPEAN UNION DIRECTIVES AND OTHER COUNTRY REGULATION AS DESCRIBED IN GS-22-008.



RECOMMENDED HOLE PATTERN WHEN STACKED BESIDE A STANDARD 4 MOD METRAL HEADER COMPONENT SIDE

RECOMMENDED HOLE PATTERN WHEN STACKED BESIDE A STANDARD 5 MOD METRAL HEADER COMPONENT SIDE

mat'l. code SEE NOTE 1		surface ISO 1302 <input checked="" type="checkbox"/>	tolerance ISO 406 ISO 1101	projection 	product family METRAL ACC
ltr	ecn no	dr	date	tolerances unless otherwise specified	title
D	V12721	RPM	11/20/01	angles .0±.3	PRESS-FIT GUIDE PIN
E	V12733	LSS	12/6/01	linear .00±.13	
F	V20703	CGD	04/15/02	0'±2' .000±.0051	
				scale 1:1	dwg no
G	V21645	TAB	10/15/02	dr M.FETROW	4/24/98
H	M06-0055	MHT	2/01/06	engr C.PENDLETON	4/24/98
J	M06-0277	MHT	7/22/06	chr C.PENDLETON	4/24/98
				appd C.PENDLETON	4/24/98
sheet index	revision sheet	J	1	sheet 1 of 1 size A3	
				type Product Customer Drawing	