

THIS DRAWING IS UNPUBLISHED.

RELEASED FOR PUBLICATION

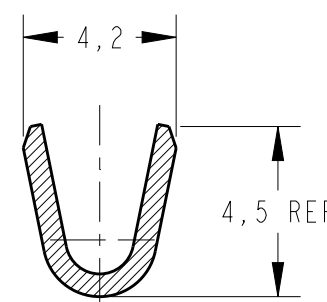
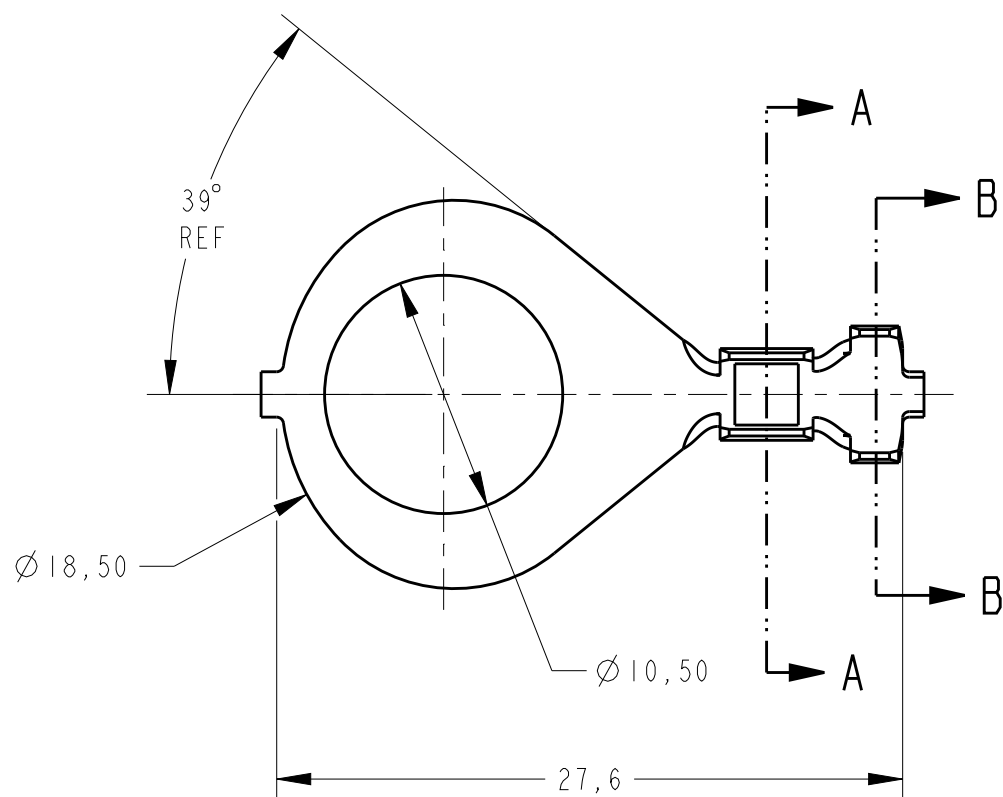
20

© COPYRIGHT 20 BY -

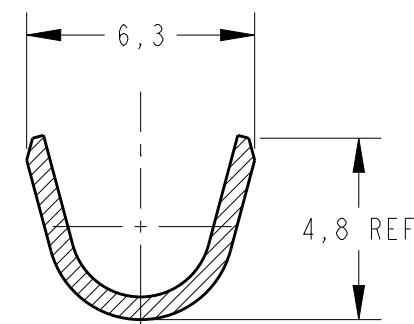
ALL RIGHTS RESERVED.

REVISIONS

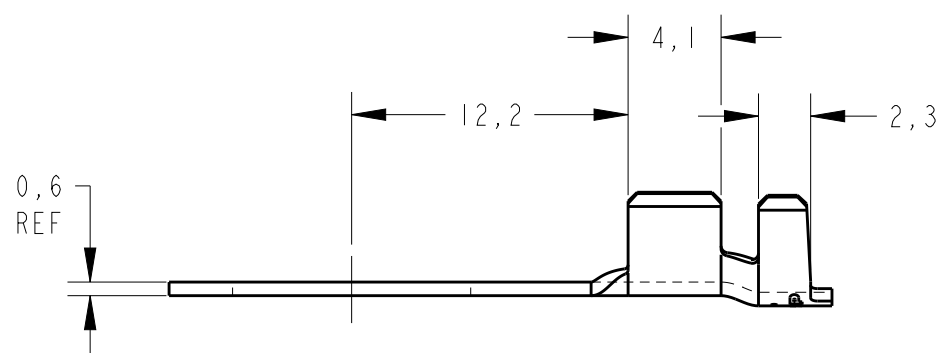
P	LTR	DESCRIPTION	DATE	DWN	APVD
	D2	REDRAW BY CAD ECO-14-008287	17JUN2014	NCL	LWP



SECTION A-A  
SCALE 5:1



SECTION B-B  
SCALE 5:1




⚠ - OBSOLETE PARTS: OBSOLETE CIS STREAMLINING PER D.RENAUD/D.SINISI

ESTANHADO	LATÃO / BRASS	880551 - 2	⚠
—	LATÃO / BRASS	880551 - 1	
FINISH	MATERIAL	PART NO	



PERSPECTIVE VIEW  
SCALE 2:1

THIS DRAWING IS A CONTROLLED DOCUMENT.		DWN NCLAPRESA 17JUN2014	 TE Connectivity	
DIMENSIONS: mm		CHK FCFORTUNATO 17JUN2014		
TOLERANCES UNLESS OTHERWISE SPECIFIED: mm <sup>2</sup>		APVD LWPRADO 17JUN2014	NAME RING TONGUE	
0 PLC ±- 1 PLC ±0,2 2 PLC ±- 3 PLC ±- 4 PLC ±0,000J ANGLES ±1		PRODUCT SPEC -	RESTRICTED TO -	
MATERIAL TBD		APPLICATION SPEC -	SIZE A3	CAGE CODE -
FINISH -		WEIGHT -	DRAWING NO C-880551	SCALE 3:1
		Customer Drawing	SHEET 1	OF 1
			REV D2	