

PART NUMBER CODING

DU03DTON

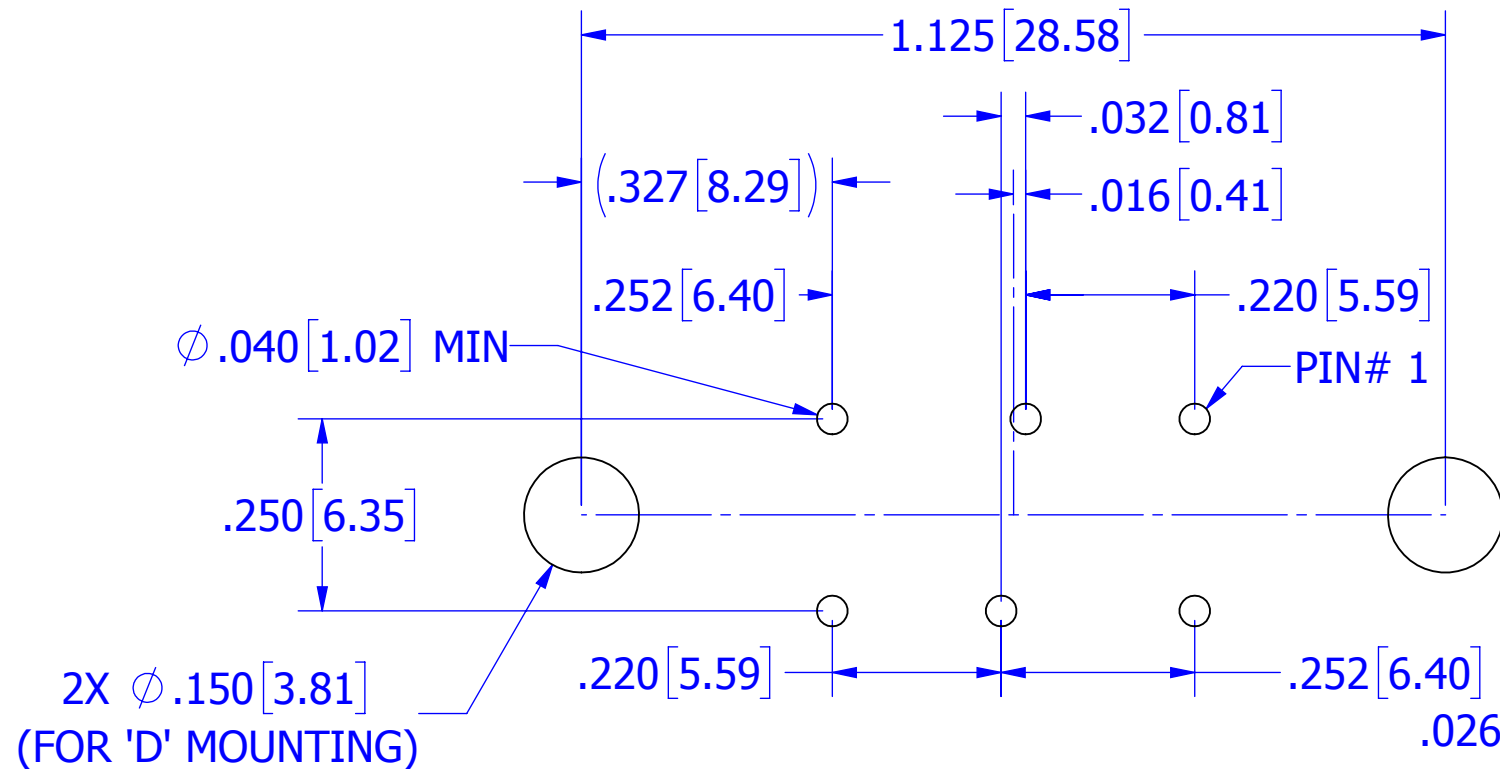
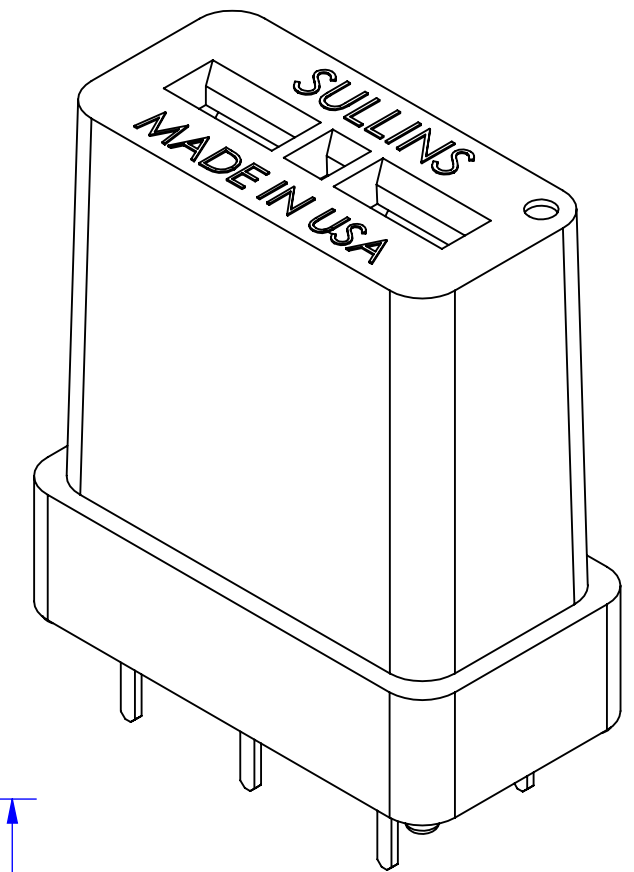
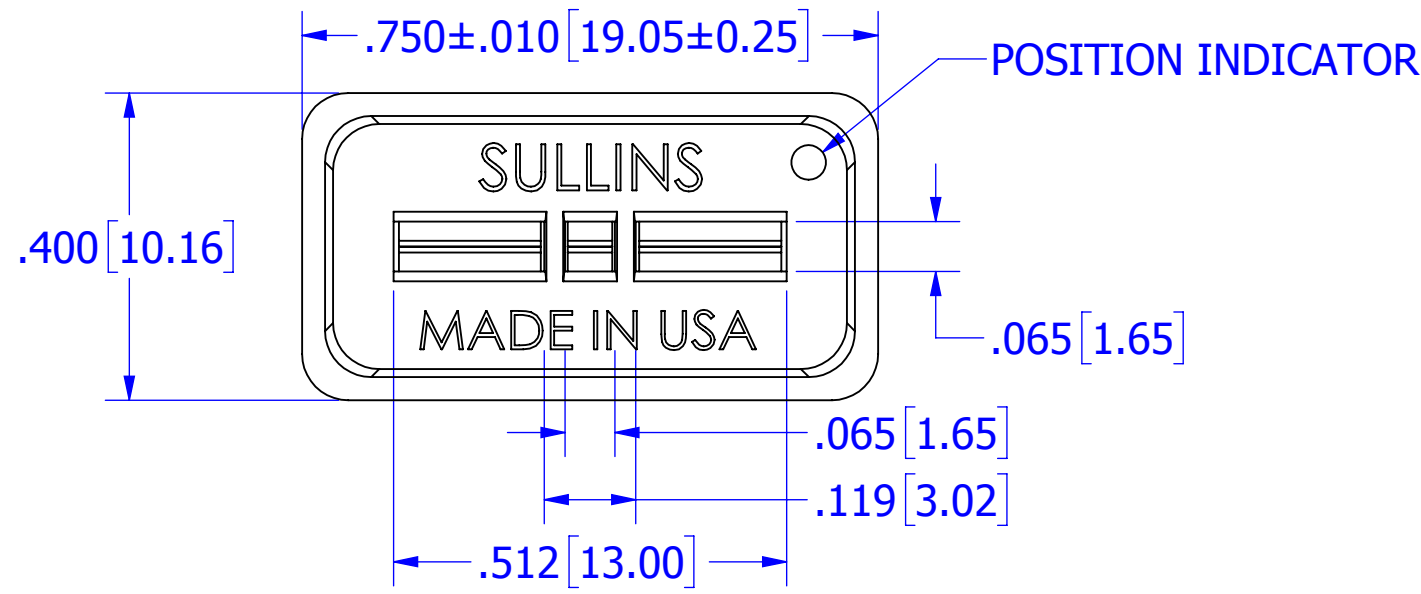
MOUNTING STYLE

- N= NO MOUNTING EAR
- D= FLUSH MOUNTING (PAGE 2)

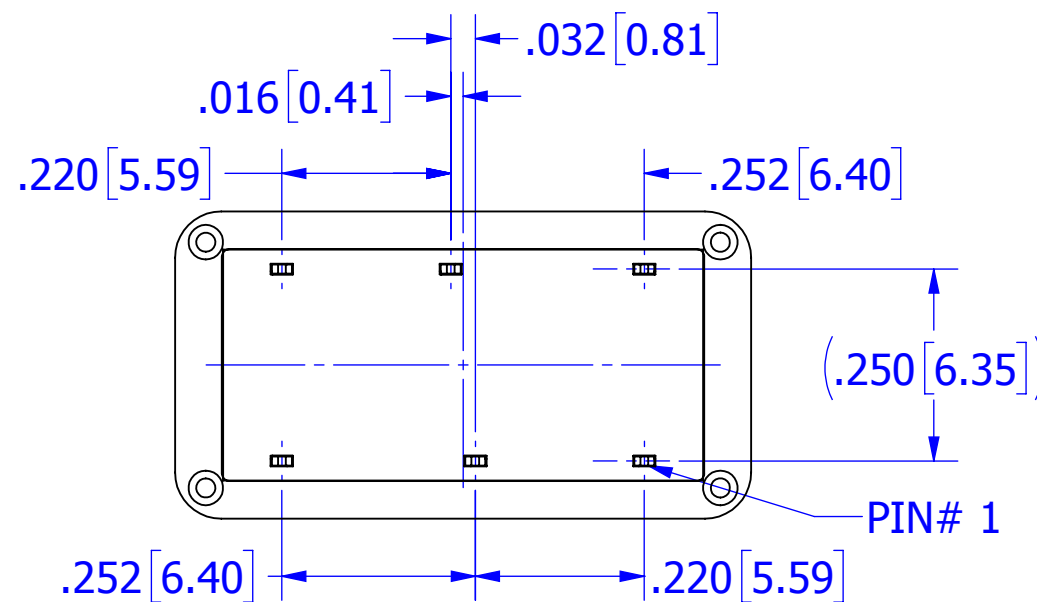
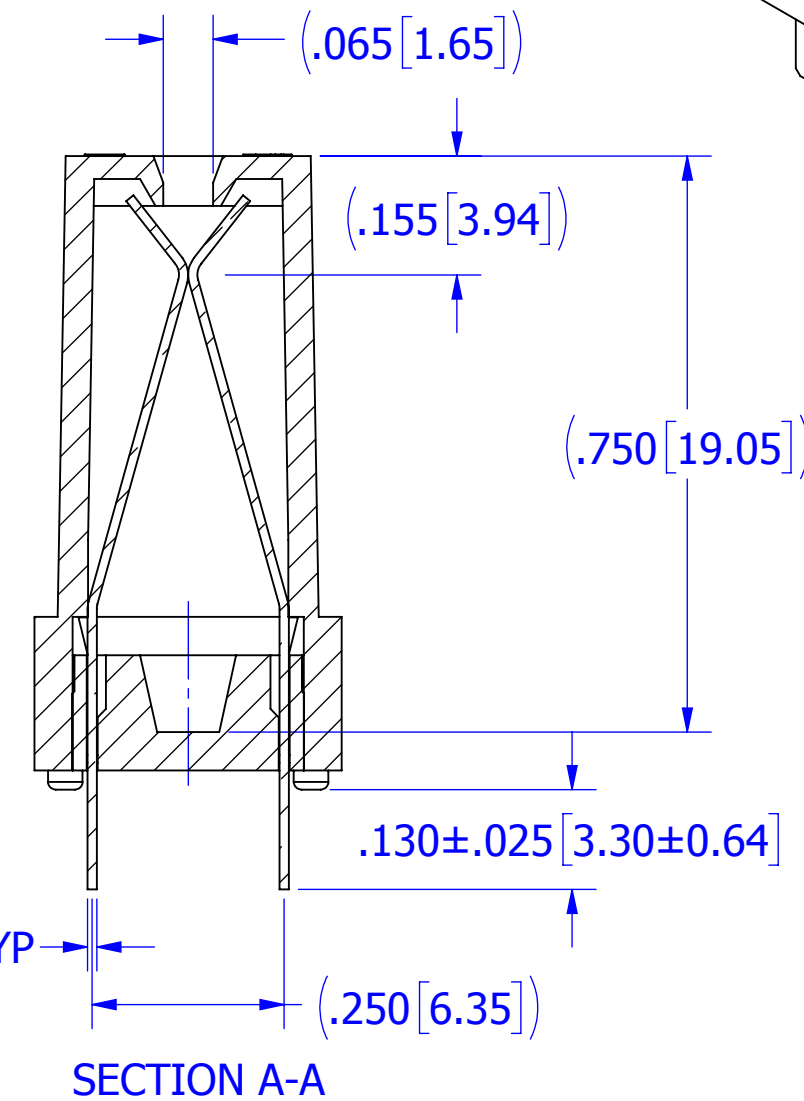
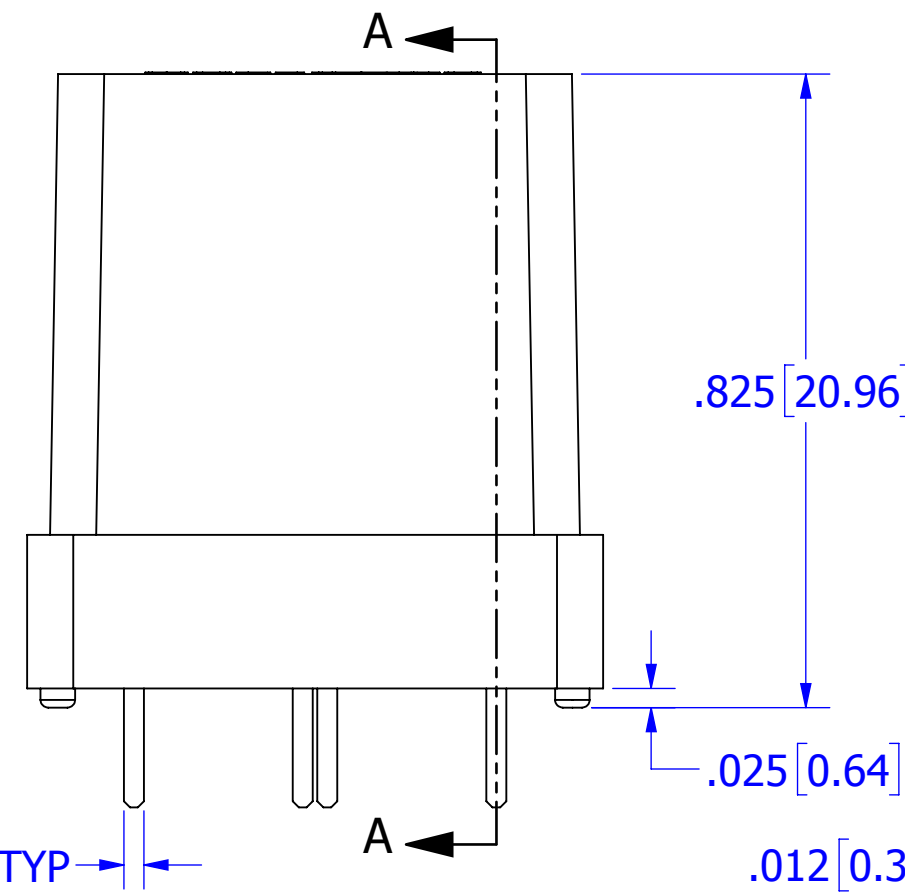
MATERIALS (INSULATOR / CONTACT)

- T = PPS/BERYLLIUM COPPER
OPERATING TEMP: -55°C TO +175°C
PROCESSING TEMP: 260°C MAX FOR 20 SECONDS
- F = PPS/SPINODAL
OPERATING TEMP: -65°C TO +200°C
(CONSULT FACTORY FOR SPECIAL SOLDERING GUIDELINES)
- X = PEEK/SPINODAL
OPERATING TEMP: -65°C TO +250°C
(CONSULT FACTORY FOR SPECIAL SOLDERING GUIDELINES)

REVISIONS				
REV.	ECO. NO	DESCRIPTION	DATE	BY
E	3395	REMOVED 'S' PLATING OPTION	3/4/2016	JH
F	3987	ADDED 'X' MATERIAL FOR 250C TEMP	1/29/2019	TT



PCB LAYOUT RECOMMENDED (COMPONENT SIDE)



_DU03DTON

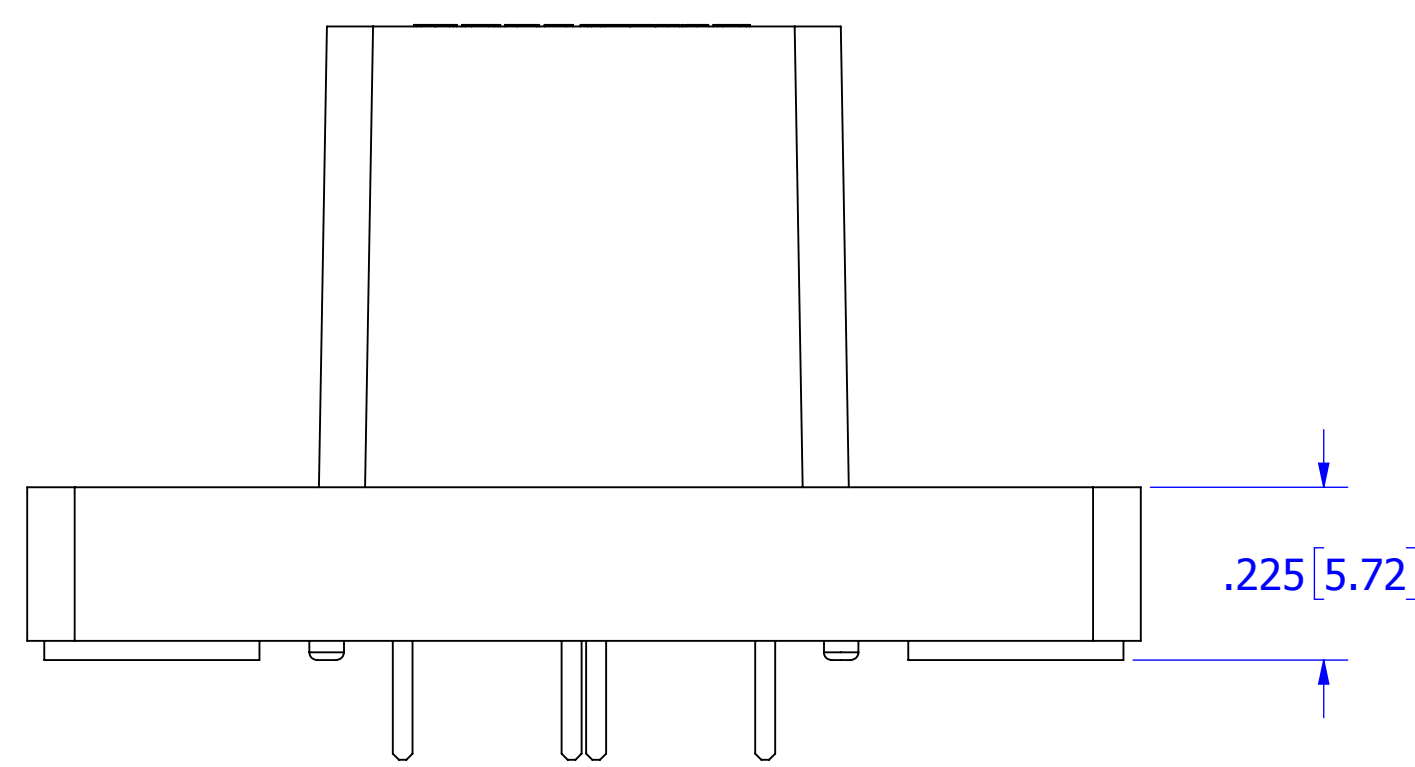
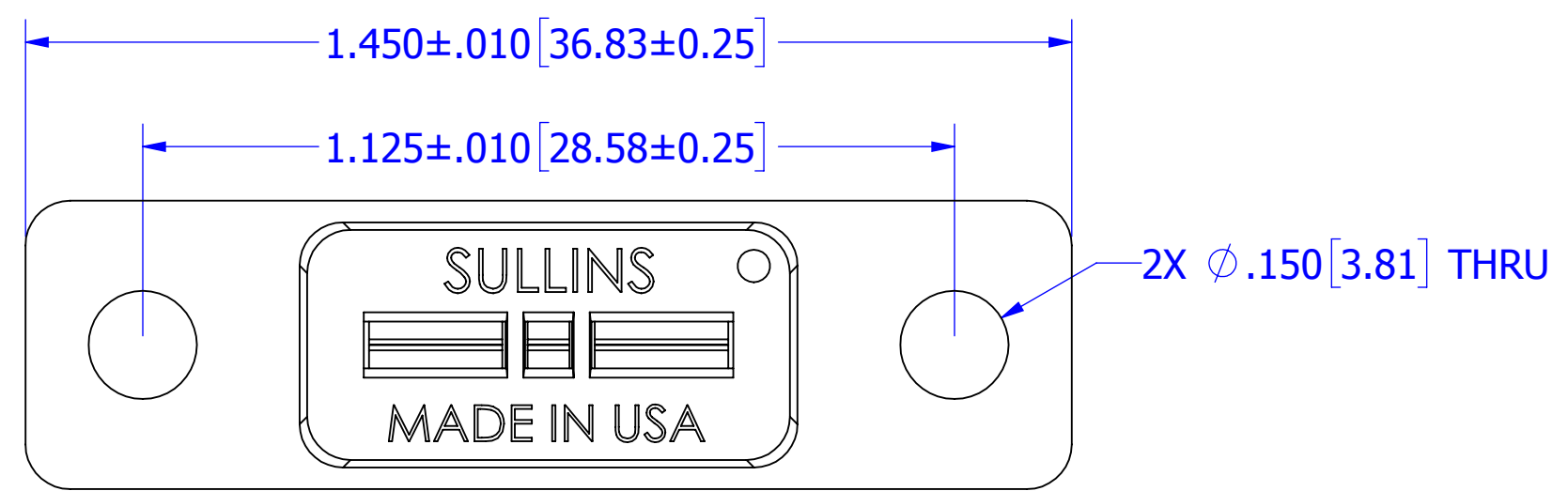
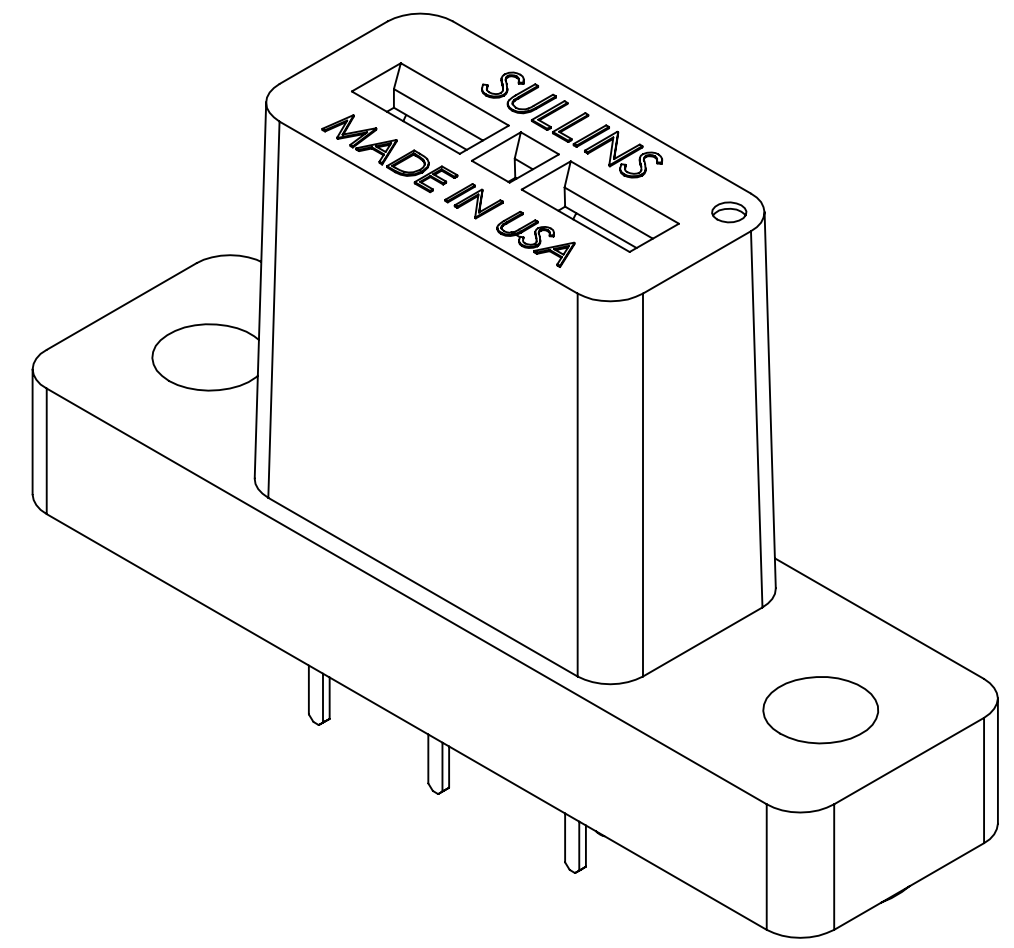
NOTES:

1. INSULATOR MATERIAL: SEE PART NUMBER CODING
2. CONTACT MATERIAL: SEE PART NUMBER CODING
3. PLATING: .000050" NICKEL UNDERPLATE, .000030" GOLD OVERALL
4. OPERATING TEMPERATURE: SEE PART NUMBER CODING
5. PROCESSING TEMP: SEE PART NUMBER CODING
6. UL FLAMMABILITY RATING: 94V-0
7. OPERATING VOLTAGE: 900 VAC
8. CURRENT RATING: 5 AMP
9. CONTACT RESISTANCE: 30 MILLI OHMS MAX
10. INSULATION RESISTANCE: 5000 MEGA OHMS
11. DURABILITY: 500 CYCLES MINIMUM
12. CONNECTOR IDENTIFICATION: THE PART SHALL BE MARKED WITH A PART NUMBER AND LOT CODE
13. ACCEPTS IN-LINE DEVICES UP TO 3 LEADS INCLUDING TO-3, TO-66, TO-247, TO-220, TO-258, TO 254, TO-257, TO-262 AND TO-264.
14. LEAD SIZE ACCOMMODATED: .010[0.25] - .060[1.52] THICK BY .060[1.52] WIDE MAX.

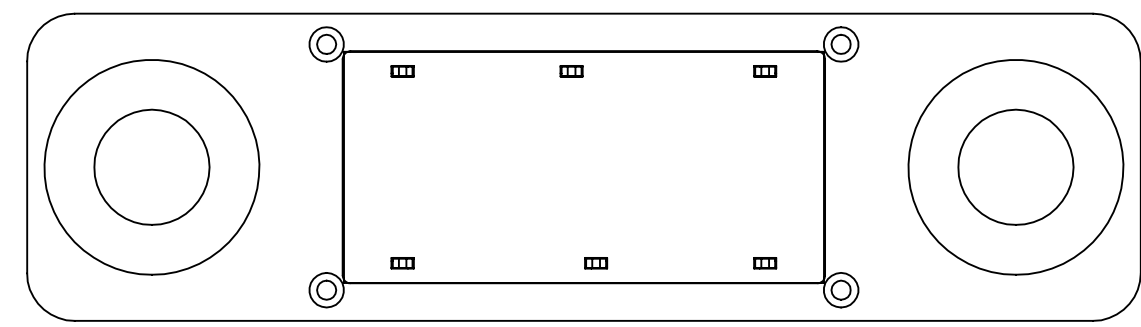


CUSTOMER COPY

UNLESS OTHERWISE SPECIFIED: DIMENSIONS ARE IN INCHES [MM]		DRAWN	DATE	NAME		
			1/31/2013	JH		
TOLERANCES:					THE INFORMATION HEREIN CONTAINS PROPRIETARY INFORMATION OF SULLINS ELECTRONICS AND IS NOT TO BE REPRODUCED, USED OR DISCLOSED TO OTHERS FOR ANY PURPOSE EXCEPT AS SPECIFICALLY AUTHORIZED IN WRITING BY AN OFFICER OF SULLINS ELECTRONICS.	
ANGULAR: ± 1°						
DECIMALS .XX= ± .02 [.5] .XXX= ± .005 [.13] .XXXX= ± .0005 [.013]						
		TITLE			TO SOCKET, KELVIN CONTACTS, ALL-IN-ONE	
		PART NUMBER			_DU03DTON_	
SIZE	CAGE CODE	DWG. NO.	REV			
C	54453	C12112	F			
SCALE: 4:1		SHEET 1 OF 2				



_DU03DTOD



CUSTOMER COPY



UNLESS OTHERWISE SPECIFIED: DIMENSIONS ARE IN INCHES [MM]		DRAWN	DATE	NAME	
			1/31/2013	JH	
TOLERANCES: ANGULAR: ± 1° DECIMALS .XX = ± .02 [.5] .XXX = ± .005 [.13] .XXXX = ± .0005 [.013]					THE INFORMATION HEREIN CONTAINS PROPRIETARY INFORMATION OF SULLINS ELECTRONICS AND IS NOT TO BE REPRODUCED, USED OR DISCLOSED TO OTHERS FOR ANY PURPOSE EXCEPT AS SPECIFICALLY AUTHORIZED IN WRITING BY AN OFFICER OF SULLINS ELECTRONICS.
					TITLE TO SOCKET, KELVIN CONTACTS, ALL-IN-ONE
					PART NUMBER _DU03DTO_
SIZE	CAGE CODE	DWG. NO.		REV	
C	54453	C12112		F	
SCALE: 4:1			SHEET 2 OF 2		