

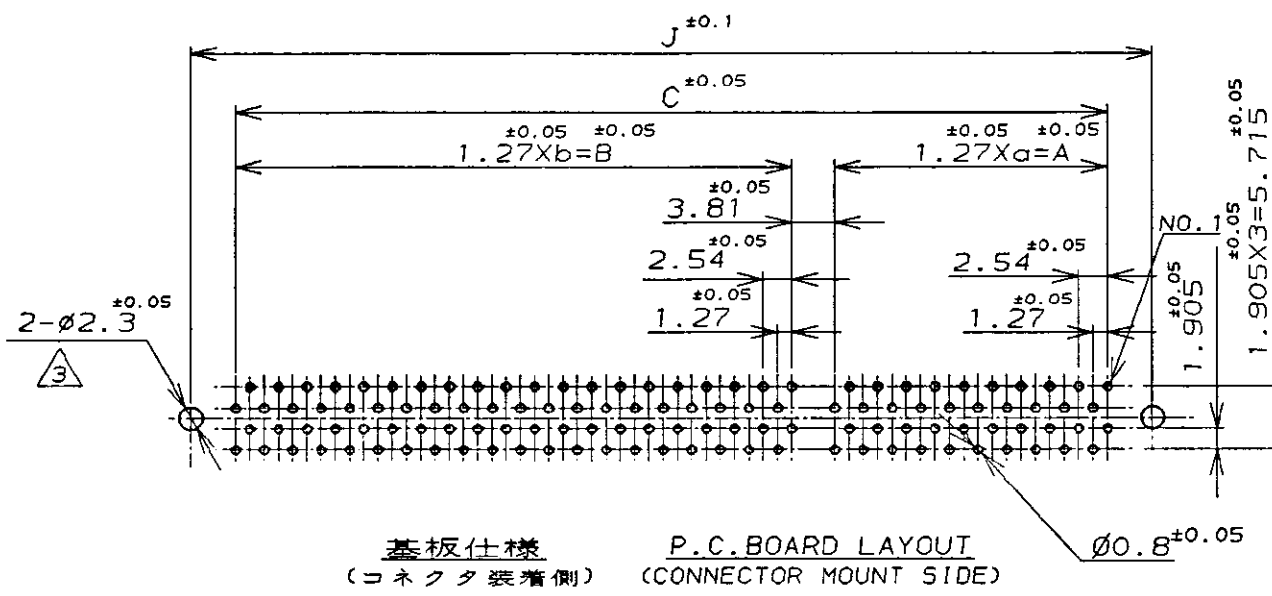
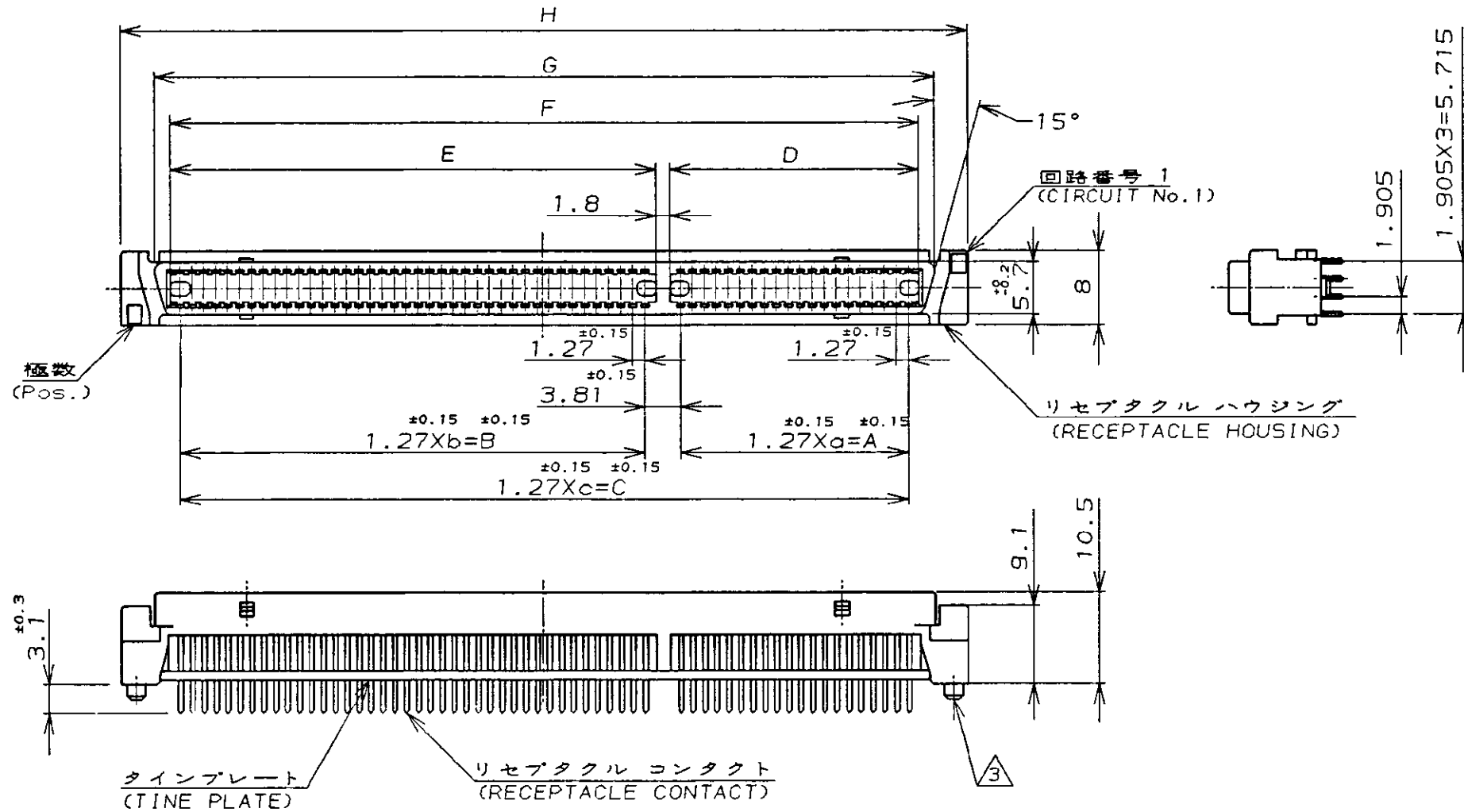
NUMBER C-176373

3rd ANGLE PROJECTION

METRIC

DIMENSIONS IN MILLIMETERS. DO NOT SCALE PRINT

PRINT DIST



NOTE:

- ① MATERIAL: HOUSING: GLASS FILLED 66NYLON (UL 94V-0) BLACK. CONTACT: PHOSPHOR-BRONZE
- ② FINISH: CONTACT: 0.3μ^{MIN} AU AT CONTACT AREA, 1μ^{MIN} TIN LEAD AT TINE, OVER Ni
- ③ BOSS FOR POSITIONING: P/N -1, -2, -3, -4

注記:

- ① 材料: *ハウジング: ガラス入り66ナイロン (UL 94V-0) 色、黒。
*コンタクト: 燐青銅。
- ② 表面仕上げ:
*コンタクト: 全面1.3μ以上のニッケル下地メッキに接触部0.3μ以上の金メッキ, 脚部1μ以上の半田メッキ
- ③ ボスは型番 -1, -2, -3, -4 のみ

0.76μm	100	—	—	—	—	49	62.23	—	—	64.23	67.32	74.85	72.2	2-176373-4
	180	39	49.53	49	62.23	—	115.57	51.53	64.23	117.57	120.66	128.19	125.54	176373-8
	160	29	36.83	49	62.23	—	102.87	38.83	64.23	104.87	107.96	115.49	112.84	176373-7
	140	29	36.83	39	49.53	—	90.17	38.83	51.53	92.17	95.26	102.79	100.14	176373-6
	120	19	24.13	39	49.53	—	77.47	26.13	51.53	79.47	82.56	90.09	87.44	176373-5
0.3μm	100	—	—	—	—	49	62.23	—	—	64.23	67.32	74.85	72.2	176373-4
	80	—	—	—	—	39	49.53	—	—	51.53	54.62	62.15	59.5	176373-3
	60	—	—	—	—	29	36.83	—	—	38.83	41.92	49.45	46.8	176373-2
	40	—	—	—	—	19	24.13	—	—	26.13	29.22	36.75	34.1	176373-1
THK OF GOLD	Pos.	a	A	b	B	c	C	D	E	F	G	H	J	P/N

								AMP		AMP (JAPAN), LTD. Tokyo, Japan		
				WIRE RANGE		INSULATION DIA		NAME				
				mm ² (AWG -)		mmφ		AMP FH CONNECTOR RECEPTACLE (VERTICAL) FOR 13mm STACKING				
B REVISED (FJ00-2347-95) S.T.Y.F. 8-MAR-95				MATERIAL		FINISH		GENERAL TOLERANCE		SIZE	LOC	NUMBER
A REVISED (J-13009) S.I.Y.F. 30/JAN/91				①		②		0<≦10 : ±0.2		A3	J	C-176373
O RELEASED (J-12583) S.I.Y.F. 30/NOV/90				DR. S. ISHIKAWA 3-AUG-89		DE. S. ISHIKAWA 8-MAR-90		10<≦30 : ±0.25		SCALE		REV.
LTR REVISION RECORD				CHK. Y. FUJIURA 8-MAR-90		APP. Y. FUJIURA 30/JAN/91		30<≦100 : ±0.3		NOT SCALE		B
				DATE				ANGLES : ±3°		SHEET		
										1 OF 1		

CUSTOMER DRAWING