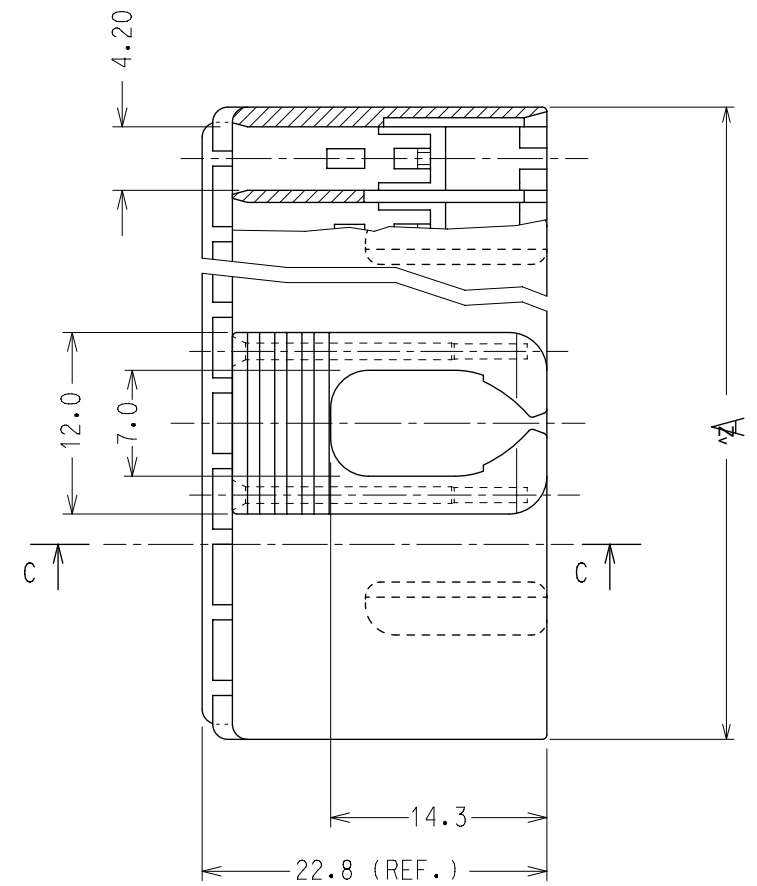
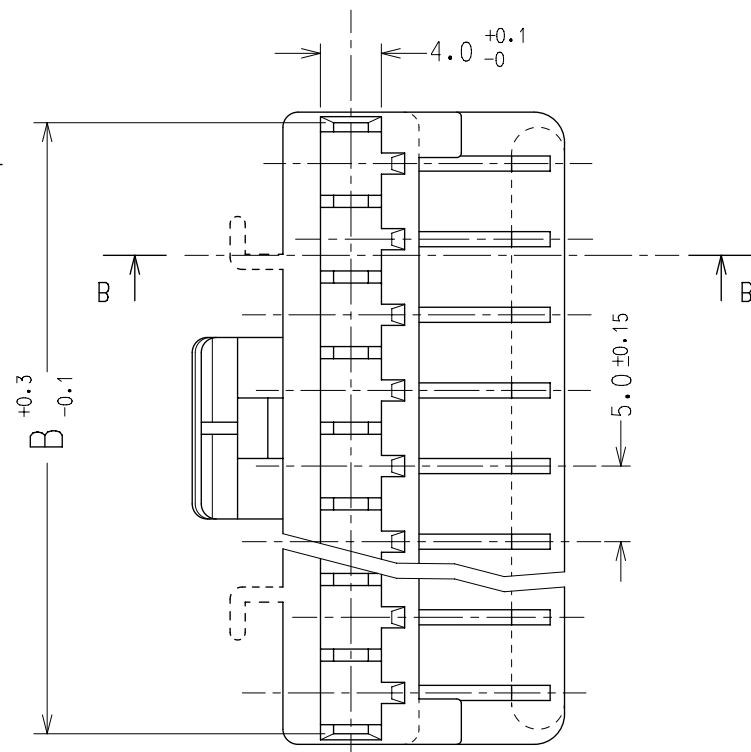
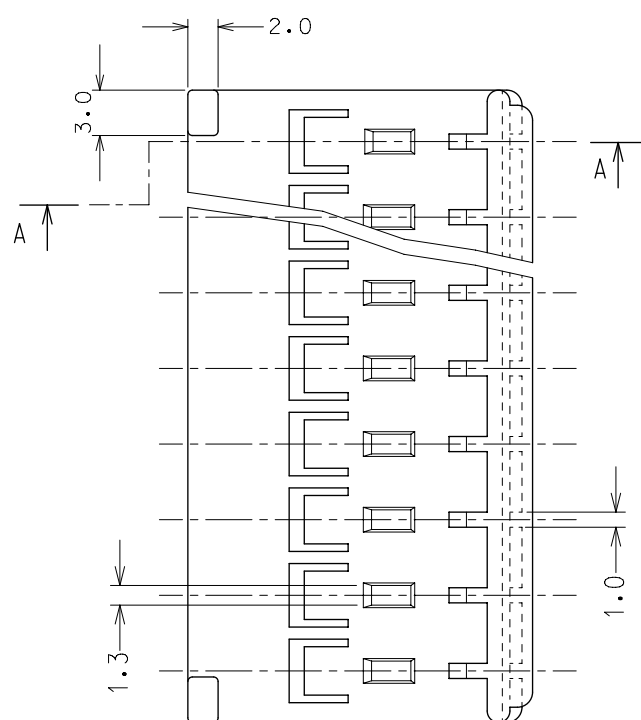
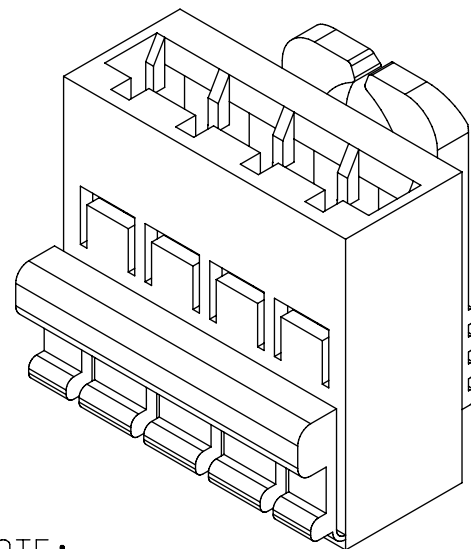


VISTA DELL'HOUSING  
CON SECONDARY LOCK CHIUSO  
VIEW OF THE HOUSING WITH  
THE SEC.LOCK IN LOCKED POSITION



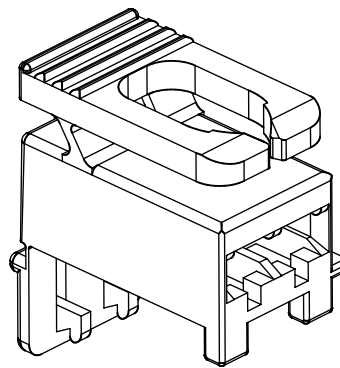
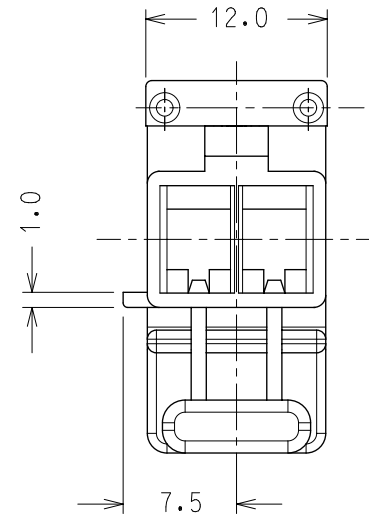
NOTE:

- 1) MATERIALI/ MATERIALS: HOUSING: NYLON 66 NATURALE/PA 66 NATURAL COLOR  
PIN: ACCIAIO INOX/STAINLESS STEEL
- 2) PER CODICI, POLARIZZAZIONI, MARCATURE E PACKAGING VEDERE FOGLI SEGUENTI  
FOR PART NOS, POLARIZATIONS, MARKINGS AND PACKAGING SEE THE FOLLOWING SHEETS
- 3) LE DIMENSIONI VANNO MISURATE CON CORPI STABILIZZATI SECONDO NG 2301  
(AUMENTO IN PESO DEL 2.7 %)  
PARTS SHALL BE DIMENSIONALLY CHECKED AFTER ATTAINING EQUILIBRIUM CONDITIONS  
E.G. 2.7 % INCREASE IN WEIGHT FOR HUMIDITY ABSORPTION FROM DRY STATUS
- 4) CARATTERISTICHE SECONDO PS 94509  
PRODUCT CHARACTERISTICS ACCORDING TO PS 94509 E
- 5) VEDERE FOGLIO 10/10 PER INFORMAZIONI SULLA CONFEZIONE  
SEE SHEET 10/10 FOR INFORMATION REGARDING THE PACKAGING

N.° VIE CKT.	2	3	4	5	6	7	8
A	11.8	16.8	21.8	26.8	31.8	36.8	41.8
B	10.4	15.4	20.4	25.4	30.4	35.4	40.4

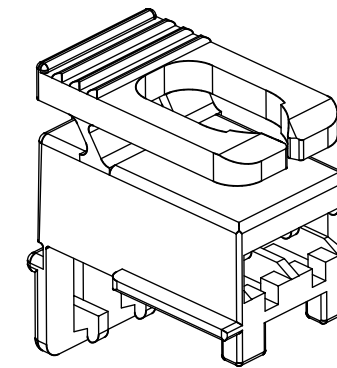
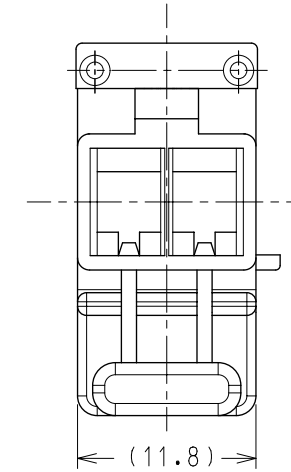
THIS DRAWING CONTAINS INFORMATION THAT IS PROPRIETARY TO MOLEX ELECTRONIC TECHNOLOGIES, LLC AND SHOULD NOT BE USED WITHOUT WRITTEN PERMISSION									
DIMENSION UNITS <b>mm</b>		SCALE <b>2:1</b>		CURRENT REV DESC:					
GENERAL TOLERANCES (UNLESS SPECIFIED)				<p>HOUSING FOR STRAIGHT FORK TERMINAL (WITH STEEL PINS)</p> <p>PRODUCT CUSTOMER DRAWING</p>					
		MM	INCH						
4 PLACES	±								
3 PLACES	±								
2 PLACES	±	0.1							
1 PLACE	±	0.2		EC NO: 620398		DRWN: AKUMAR19		2019/10/10	
0 PLACES	±			CHK'D: GGA		APPR: GGA		2019/10/18	
ANGULAR TOL		± 2.0°		INITIAL REVISION:		DRWN: SBARBIER		1991/01/23	
				APPR: MPREVIAT				1991/01/24	
DRAFT WHERE APPLICABLE MUST REMAIN WITHIN DIMENSIONS				FIRST ANGLE PROJECTION		DRAWING		SERIES	
						A3-SIZE		94509	
DOCUMENT NUMBER				CUSTOMER		SHEET NUMBER			
SD-94509-003				FIAT		1 OF 10			

# HOUSINGS A 2 VIE: / 2 CKT HOUSINGS:



POLARIZZAZIONE TIPO "A"  
TYPE "A" POLARIZATION

N.° VIE	CODICE HOUSING/TIPO POLARIZZAZIONE HOUSING P/N / POLARIZATION	
CKT No.	A	B
2	94509-5210	94509-5220

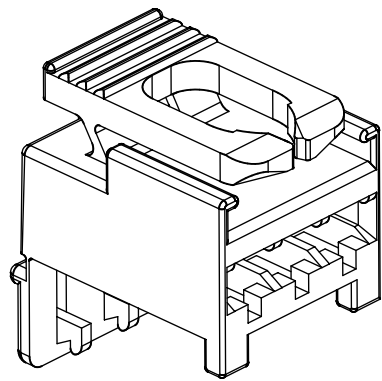
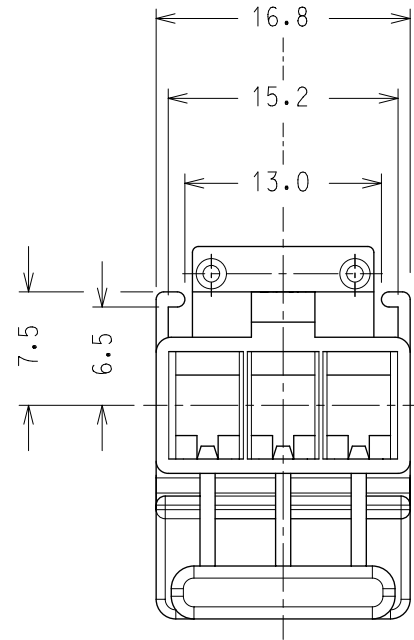


POLARIZZAZIONE TIPO "B"  
TYPE "B" POLARIZATION

NOTA: QUESTA VERSIONE E' FORNITA SENZA PIOLINI IN ACCIAIO  
NOTE: THIS VERSION IS SUPPLIED WITHOUT STEEL PINS

THIS DRAWING CONTAINS INFORMATION THAT IS PROPRIETARY TO MOLEX ELECTRONIC TECHNOLOGIES, LLC AND SHOULD NOT BE USED WITHOUT WRITTEN PERMISSION									
DIMENSION UNITS <b>mm</b>		SCALE <b>2:1</b>		CURRENT REV DESC:				<b>molex</b>	
GENERAL TOLERANCES (UNLESS SPECIFIED)				EC NO: 620398					
		MM	INCH	DRWN: AKUMAR19		2019/01/10		HOUSING FOR STRAIGHT FORK TERMINAL (WITH STEEL PINS)	
4 PLACES		±	±	CHK'D: GGA		2019/10/18		PRODUCT CUSTOMER DRAWING	
3 PLACES		±	±	APPR: GGA		2019/10/18		DOCUMENT NUMBER	
2 PLACES		± 0.1	±	INITIAL REVISION:		1991/01/23		SD-94509-003	
1 PLACE		± 0.2	±	DRWN: SBARBIER		1991/01/24		DOC TYPE	
0 PLACES		±	±	APPR: MPREVIAT		1991/01/24		DOC PART	
ANGULAR TOL		± 2.0°		DRAFT WHERE APPLICABLE MUST REMAIN WITHIN DIMENSIONS		FIRST ANGLE PROJECTION		REVISION	
DRAWING		SERIES		MATERIAL NUMBER		CUSTOMER		SHEET NUMBER	
A3-SIZE		94509		SEE TABLE		FIAT		2 OF 10	

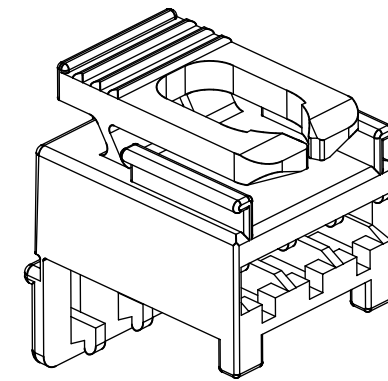
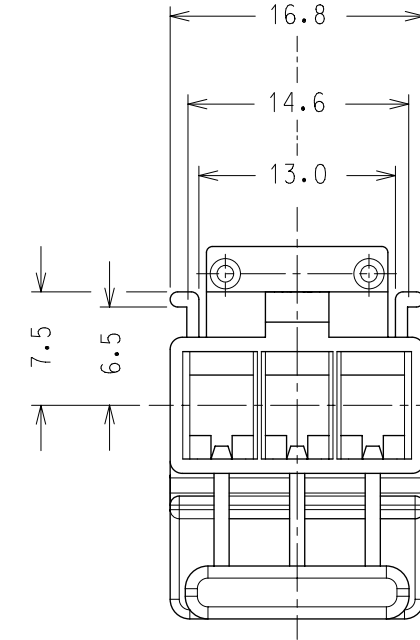
# HOUSINGS A 3 VIE: / 3 CKT HOUSINGS:



POLARIZZAZIONE TIPO "A"  
TYPE "A" POLARIZATION

N.° VIE	CODICE HOUSING/TIPO POLARIZZAZIONE <i>HOUSING P/N / POLARIZATION</i>	
CKT No.	A	B
3	94509-5310 *	94509-5320

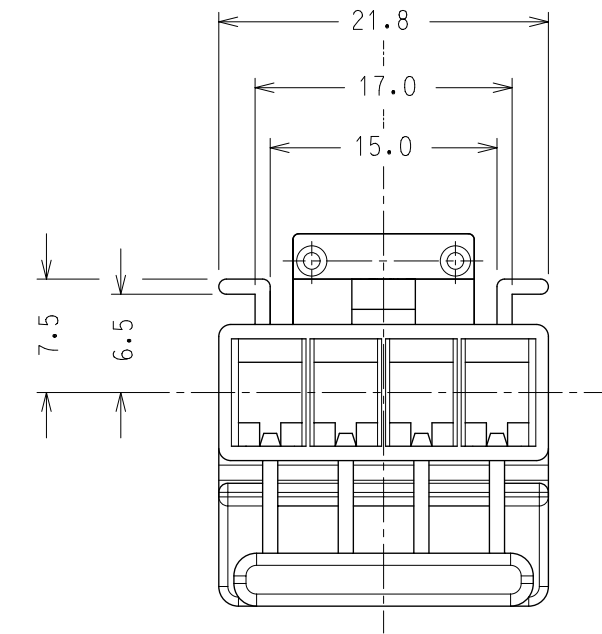
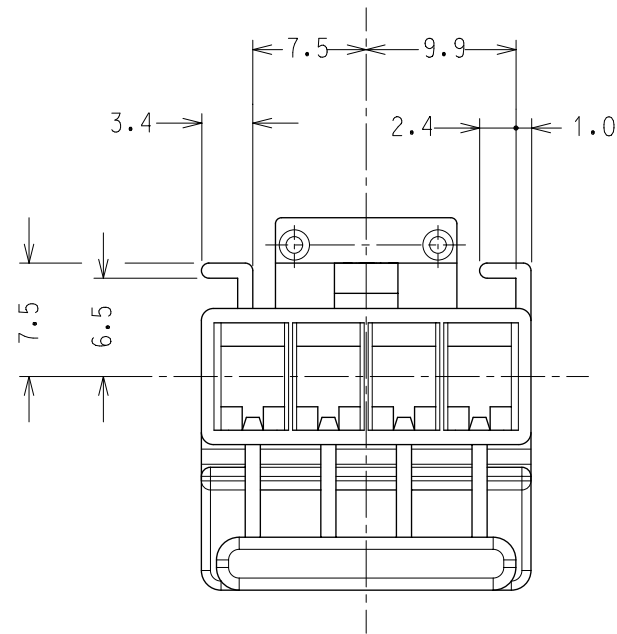
\* VERSIONE NON ATTREZZATA  
NOT TOOLED



POLARIZZAZIONE TIPO "B"  
TYPE "B" POLARIZATION

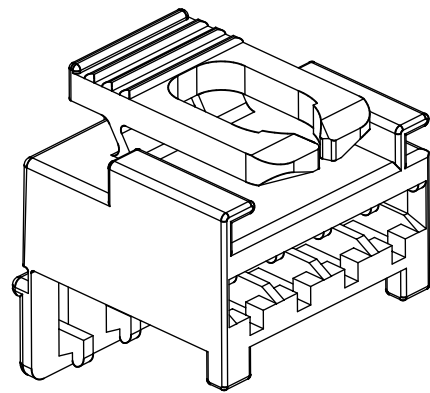
THIS DRAWING CONTAINS INFORMATION THAT IS PROPRIETARY TO MOLEX ELECTRONIC TECHNOLOGIES, LLC AND SHOULD NOT BE USED WITHOUT WRITTEN PERMISSION									
DIMENSION UNITS		SCALE		CURRENT REV DESC:				<b>molex</b>	
mm		2:1							
GENERAL TOLERANCES (UNLESS SPECIFIED)				EC NO: 620398				HOUSING FOR STRAIGHT FORK TERMINAL (WITH STEEL PINS)	
				DRWN: AKUMAR19 2019/01/10					
4 PLACES ±				CHK'D: GGA 2019/10/18					
3 PLACES ±				APPR: GGA 2019/10/18					
2 PLACES ± 0.1				INITIAL REVISION:				PRODUCT CUSTOMER DRAWING	
1 PLACE ± 0.2				DRWN: SBARBIER 1991/01/23				DOCUMENT NUMBER	
0 PLACES ±				APPR: MPREVIAT 1991/01/24				SD-94509-003	
ANGULAR TOL ± 2.0°				FIRST ANGLE PROJECTION		DRAWING		DOC TYPE	
DRAFT WHERE APPLICABLE MUST REMAIN WITHIN DIMENSIONS				A3-SIZE		SERIES		DOC PART	
				94509		MATERIAL NUMBER		REVISION	
				SEE TABLE		CUSTOMER		3 OF 10	
				FIAT					

# HOUSINGS A 4 VIE: / 4 CKT HOUSINGS:

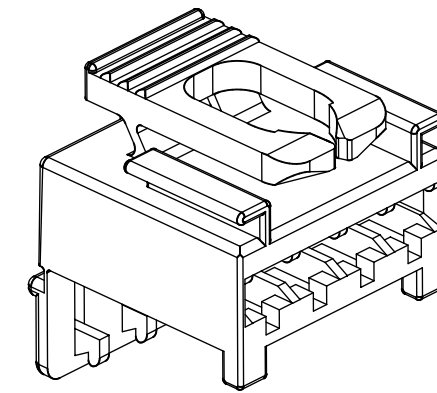


N.° VIE	CODICE HOUSING/TIPO POLARIZZAZIONE	
CKT No.	HOUSING P/N / POLARIZATION	
	A	B
4	94509-5410 *	94509-5420

\* VERSIONE NON ATTREZZATA  
\* NOT TOOLED



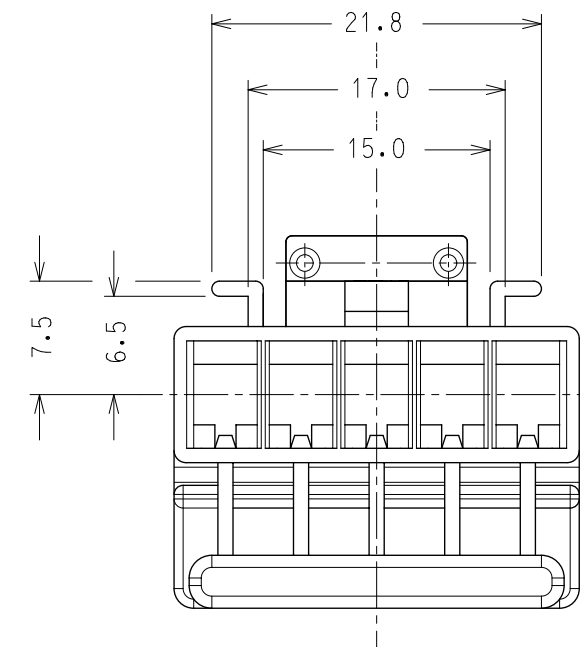
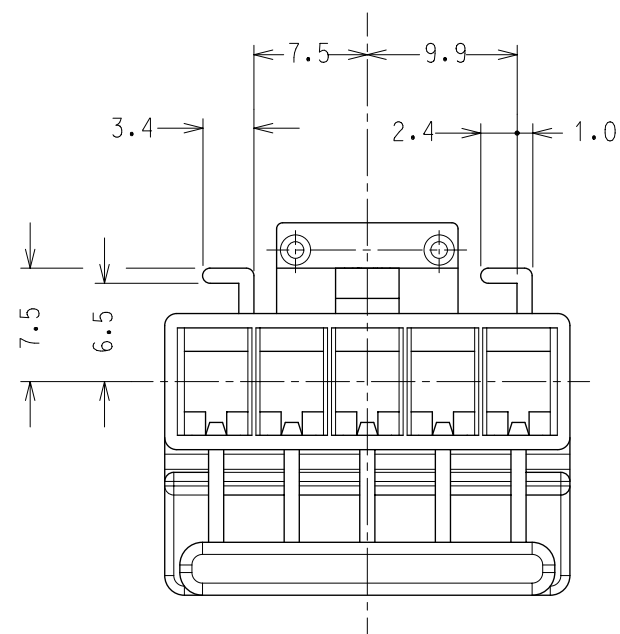
POLARIZZAZIONE TIPO "A"  
TYPE "A" POLARIZATION



POLARIZZAZIONE TIPO "B"  
TYPE "B" POLARIZATION

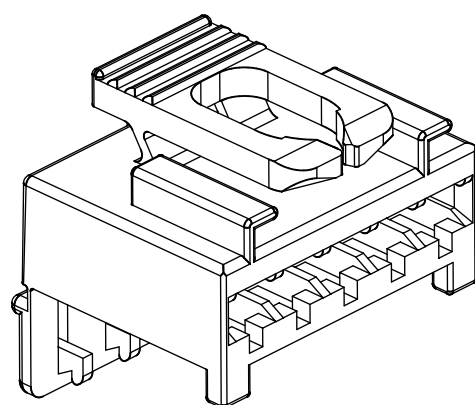
THIS DRAWING CONTAINS INFORMATION THAT IS PROPRIETARY TO MOLEX ELECTRONIC TECHNOLOGIES, LLC AND SHOULD NOT BE USED WITHOUT WRITTEN PERMISSION									
DIMENSION UNITS		SCALE		CURRENT REV DESC:				<b>molex</b>	
mm		2:1							
GENERAL TOLERANCES (UNLESS SPECIFIED)				EC NO: 620398				HOUSING FOR STRAIGHT FORK TERMINAL (WITH STEEL PINS)	
		MM	INCH	DRWN: AKUMAR19 2019/01/10					
4 PLACES		±	±	CHK'D: GGA 2019/10/18				PRODUCT CUSTOMER DRAWING	
3 PLACES		±	±	APPR: GGA 2019/10/18					
2 PLACES		±	0.1	INITIAL REVISION:				DOCUMENT NUMBER	
1 PLACE		±	0.2	DRWN: SBARBIER 1991/01/23				SD-94509-003	
0 PLACES		±	±	APPR: MPREVIAT 1991/01/24				DOC TYPE DOC PART REVISION	
ANGULAR TOL		± 2.0°						PSD 001 C	
DRAFT WHERE APPLICABLE MUST REMAIN WITHIN DIMENSIONS				FIRST ANGLE PROJECTION		DRAWING		SERIES	
				A3-SIZE		94509		MATERIAL NUMBER CUSTOMER SHEET NUMBER	
						SEE TABLE FIAT		4 OF 10	

# HOUSINGS A 5 VIE: / 5 CKT HOUSINGS:

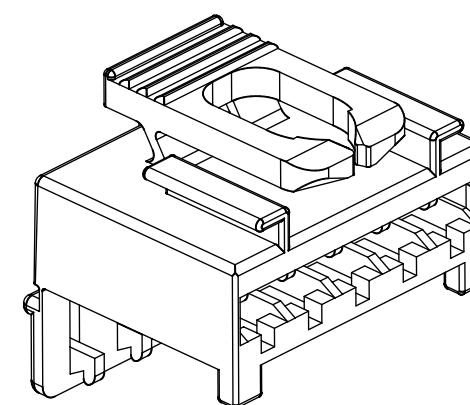


N.° VIE	CODICE HOUSING/TIPO POLARIZZAZIONE <i>HOUSING P/N / POLARIZATION</i>	
CKT No.	A	B
5	94509-5510 *	94509-5520

\* VERSIONE NON ATTREZZATA  
NOT TOOLED



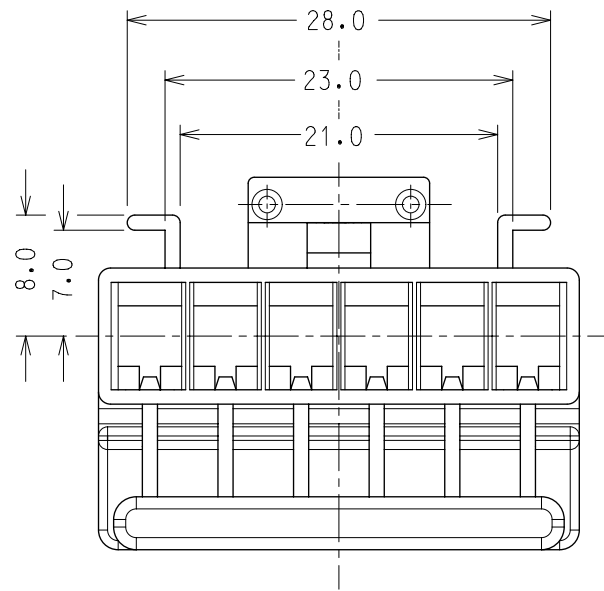
POLARIZZAZIONE TIPO "A"  
TYPE "A" POLARIZATION



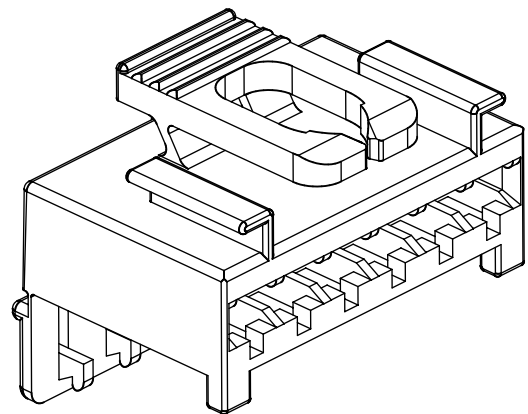
POLARIZZAZIONE TIPO "B"  
TYPE "B" POLARIZATION

THIS DRAWING CONTAINS INFORMATION THAT IS PROPRIETARY TO MOLEX ELECTRONIC TECHNOLOGIES, LLC AND SHOULD NOT BE USED WITHOUT WRITTEN PERMISSION									
DIMENSION UNITS		SCALE		CURRENT REV DESC:				<b>molex</b>	
mm		2:1							
GENERAL TOLERANCES (UNLESS SPECIFIED)				EC NO: 620398				HOUSING FOR STRAIGHT FORK TERMINAL (WITH STEEL PINS)	
				DRWN: AKUMAR19 2019/01/10				PRODUCT CUSTOMER DRAWING	
				CHK'D: GGA 2019/10/18				DOCUMENT NUMBER	
				APPR: GGA 2019/10/18				SD-94509-003	
				INITIAL REVISION:				DOC TYPE	
				DRWN: SBARBIER 1991/01/23				PSD	
				APPR: MPREVIAT 1991/01/24				DOC PART	
				ANGULAR TOL ± 2.0°				001	
				DRAFT WHERE APPLICABLE MUST REMAIN WITHIN DIMENSIONS				REVISION	
				FIRST ANGLE PROJECTION				C	
				DRAWING				MATERIAL NUMBER	
				A3-SIZE				SERIES	
				94509				CUSTOMER	
				SEE TABLE				FIAT	
								SHEET NUMBER	
								5 OF 10	

# HOUSINGS A 6 VIE: / 6 CKT HOUSINGS:



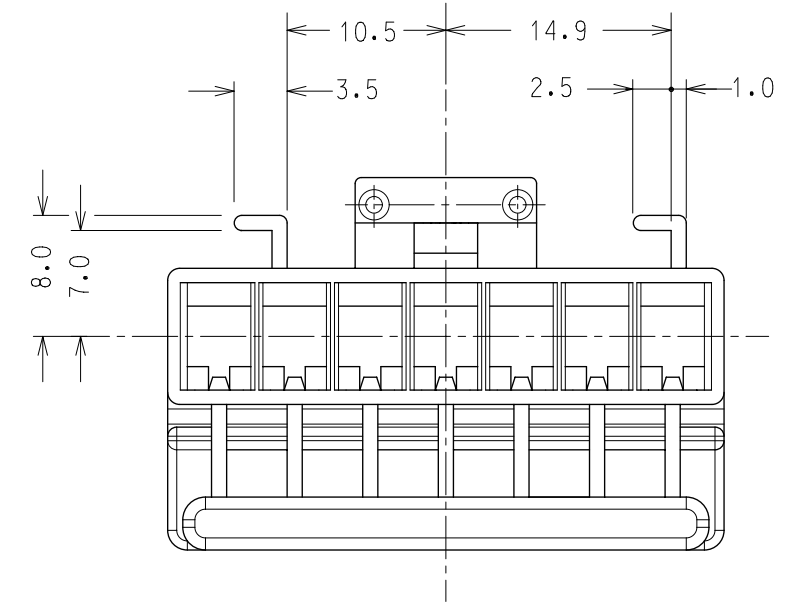
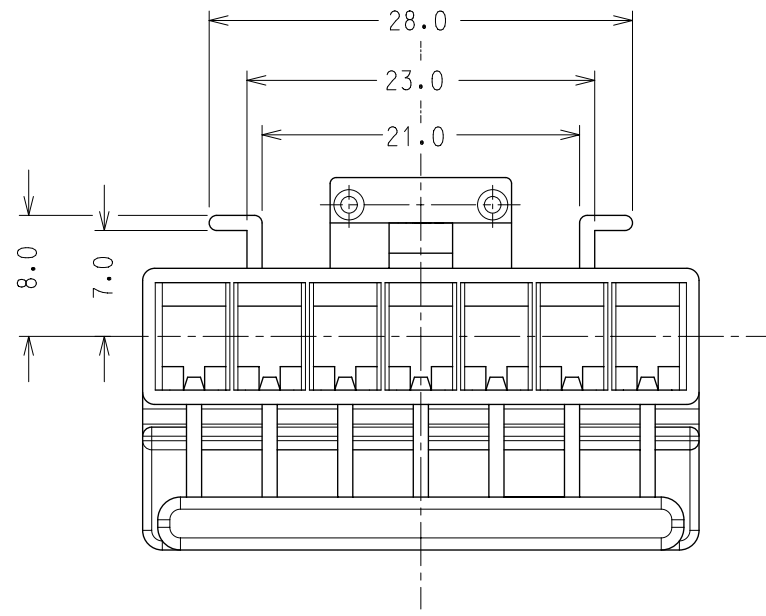
N.° VIE	CODICE HOUSING/TIPO POLARIZZAZIONE <i>HOUSING P/N / POLARIZATION</i>
CKT No.	A
6	94509-5610



POLARIZZAZIONE TIPO "A"  
TYPE "A" POLARIZATION

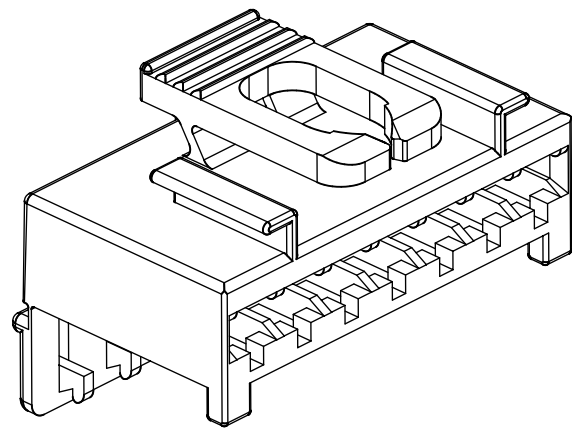
THIS DRAWING CONTAINS INFORMATION THAT IS PROPRIETARY TO MOLEX ELECTRONIC TECHNOLOGIES, LLC AND SHOULD NOT BE USED WITHOUT WRITTEN PERMISSION												
DIMENSION UNITS		SCALE		CURRENT REV DESC:				<b>molex</b>				
mm		2:1										
GENERAL TOLERANCES (UNLESS SPECIFIED)				EC NO: 620398 DRWN: AKUMAR19 2019/01/10 CHK'D: GGA 2019/10/18 APPR: GGA 2019/10/18 INITIAL REVISION: DRWN: SBARBIER 1991/01/23 APPR: MPREVIAT 1991/01/24				HOUSING FOR STRAIGHT FORK TERMINAL (WITH STEEL PINS)				
								PRODUCT CUSTOMER DRAWING				
4 PLACES ±		±						DOCUMENT NUMBER		DOC TYPE	DOC PART	REVISION
3 PLACES ±		±						SD-94509-003		PSD	001	C
2 PLACES ±		0.1 ±						MATERIAL NUMBER		CUSTOMER		SHEET NUMBER
1 PLACE ±		0.2 ±		SEE TABLE		FIAT		6 OF 10				
0 PLACES ±		±		DRAFT WHERE APPLICABLE MUST REMAIN WITHIN DIMENSIONS		FIRST ANGLE PROJECTION		DRAWING				
ANGULAR TOL ± 2.0°				A3-SIZE		SERIES		94509				

# HOUSINGS A 7 VIE: / 7 CKT HOUSINGS:

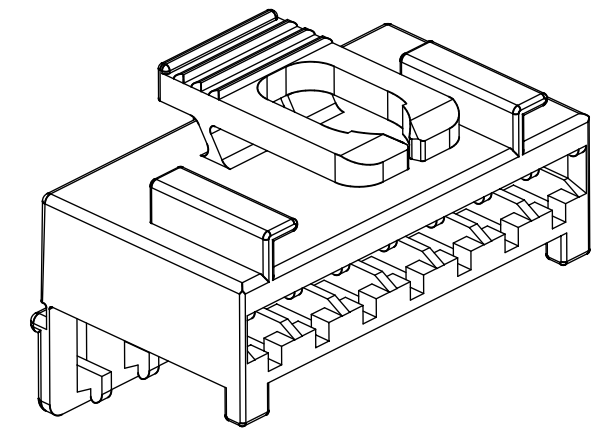


N.° VIE	CODICE HOUSING/TIPO POLARIZZAZIONE	
CKT No.	HOUSING P/N / POLARIZATION	
	A	B
7	94509-5710 *	94509-5720 *

\* VERSIONE NON ATTREZZATA  
\* NOT TOOLED



POLARIZZAZIONE TIPO "A"  
TYPE "A" POLARIZATION



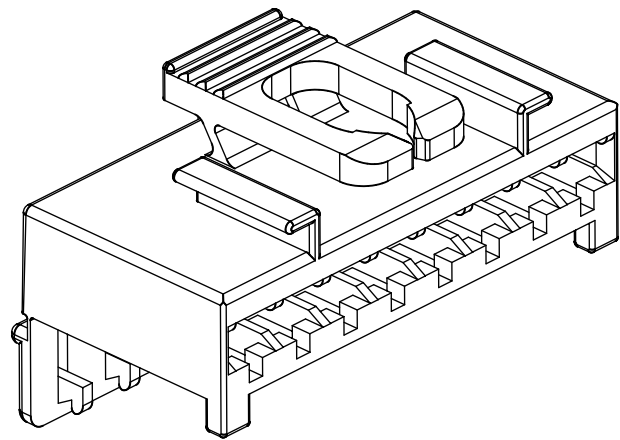
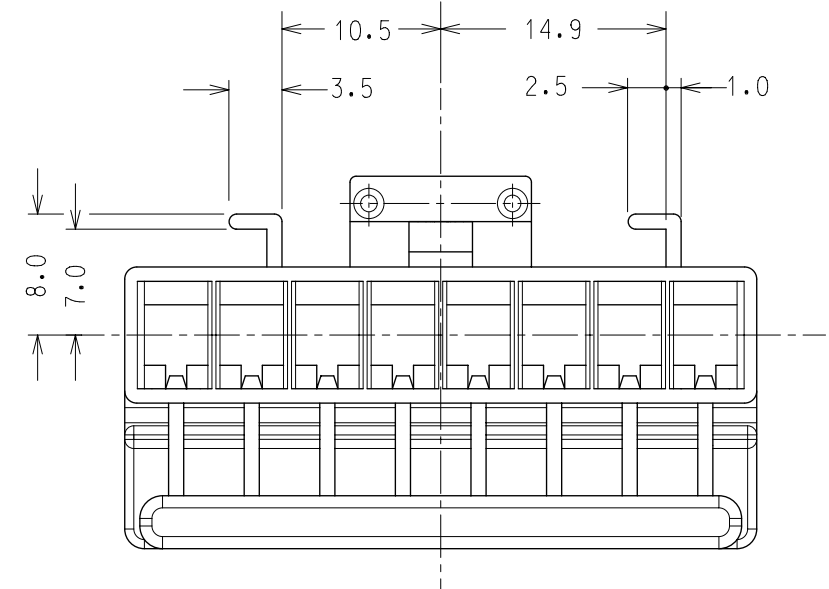
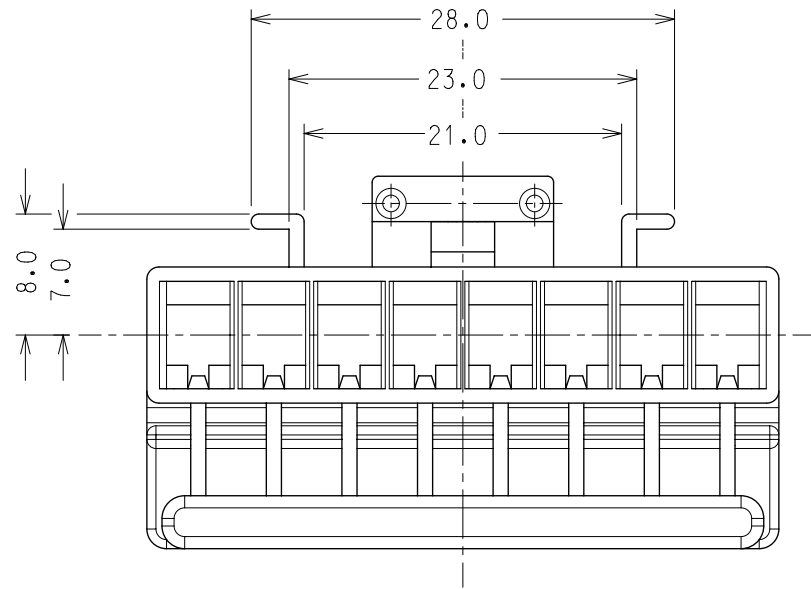
POLARIZZAZIONE TIPO "B"  
TYPE "B" POLARIZATION

THIS DRAWING CONTAINS INFORMATION THAT IS PROPRIETARY TO MOLEX ELECTRONIC TECHNOLOGIES, LLC AND SHOULD NOT BE USED WITHOUT WRITTEN PERMISSION									
DIMENSION UNITS		SCALE		CURRENT REV DESC:				<b>molex</b>	
mm		2:1							
GENERAL TOLERANCES (UNLESS SPECIFIED)				EC NO: 620398				HOUSING FOR STRAIGHT FORK TERMINAL (WITH STEEL PINS)	
				DRWN: AKUMAR19 2019/01/10					
				CHK'D: GGA 2019/10/18				PRODUCT CUSTOMER DRAWING	
				APPR: GGA 2019/10/18					
				INITIAL REVISION:				DOCUMENT NUMBER	
4 PLACES ±				DRWN: SBARBIER 1991/01/23				SD-94509-003	
3 PLACES ±				APPR: MPREVIAT 1991/01/24				DOC TYPE DOC PART REVISION	
2 PLACES ± 0.1 ±								PSD 001 C	
1 PLACE ± 0.2 ±									
0 PLACES ±									
ANGULAR TOL ± 2.0°									
DRAFT WHERE APPLICABLE MUST REMAIN WITHIN DIMENSIONS		FIRST ANGLE PROJECTION		DRAWING		SERIES		MATERIAL NUMBER	
		A3-SIZE		94509		SEE TABLE		CUSTOMER	
		FIAT		7 OF 10					

# HOUSINGS A 8 VIE: / 8 CKT HOUSINGS:

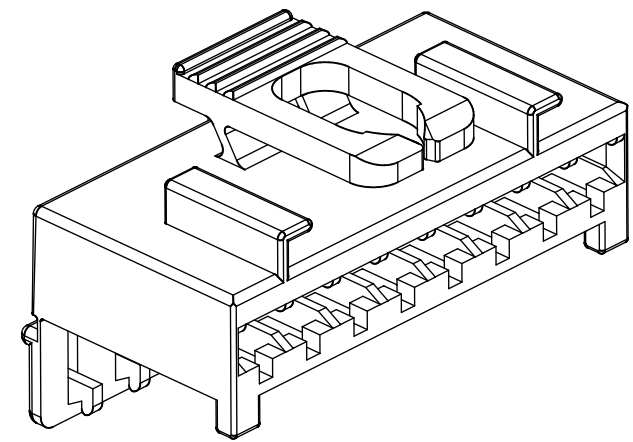
(VEDERE ANCHE FOGLIO SEGUENTE)

(SEE ALSO THE FOLLOWING SHEET)



POLARIZZAZIONE TIPO "A"  
TYPE "A" POLARIZATION

N.° VIE	CODICE HOUSING/TIPO POLARIZZAZIONE HOUSING P/N / POLARIZATION	
CKT No.	A	B
8	94509-5810	94509-5820

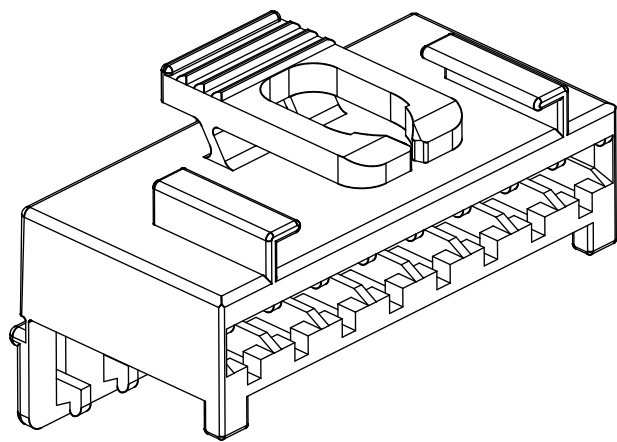
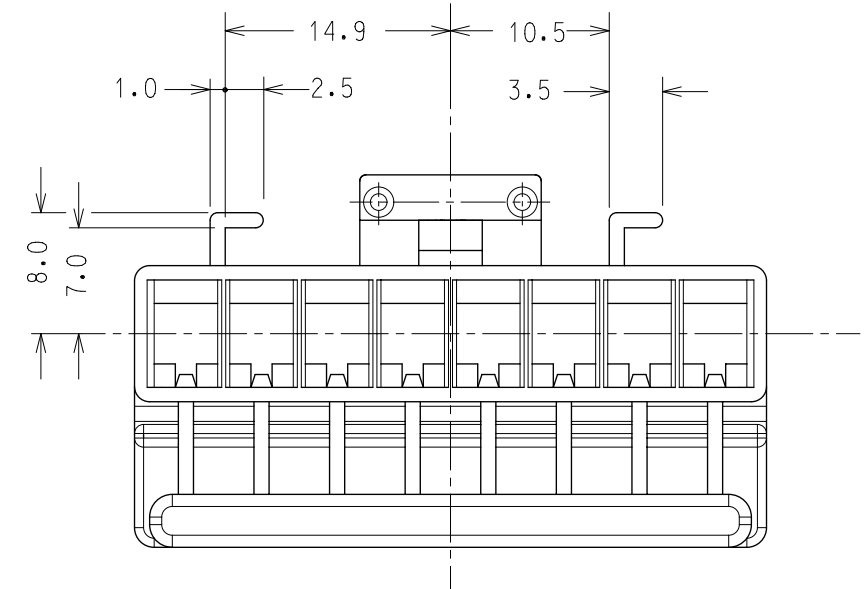
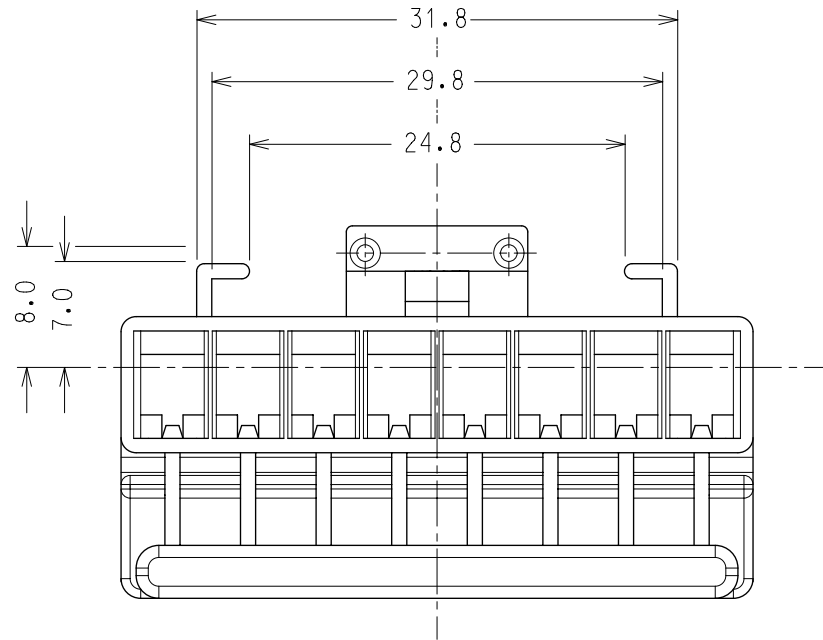


POLARIZZAZIONE TIPO "B"  
TYPE "B" POLARIZATION

THIS DRAWING CONTAINS INFORMATION THAT IS PROPRIETARY TO MOLEX ELECTRONIC TECHNOLOGIES, LLC AND SHOULD NOT BE USED WITHOUT WRITTEN PERMISSION									
DIMENSION UNITS <b>mm</b>		SCALE <b>2:1</b>		CURRENT REV DESC:				<b>molex</b>	
GENERAL TOLERANCES (UNLESS SPECIFIED)				EC NO: 620398					
		MM	INCH	DRWN: AKUMAR19		2019/01/10		HOUSING FOR STRAIGHT FORK TERMINAL (WITH STEEL PINS)	
4 PLACES		±	±	CHK'D: GGA		2019/10/18		PRODUCT CUSTOMER DRAWING	
3 PLACES		±	±	APPR: GGA		2019/10/18		DOCUMENT NUMBER	
2 PLACES		± 0.1	±	INITIAL REVISION:		1991/01/23		SD-94509-003	
1 PLACE		± 0.2	±	DRWN: SBARBIER		1991/01/24		DOC TYPE	
0 PLACES		±	±	APPR: MPREVIAT		1991/01/24		DOC PART	
ANGULAR TOL		± 2.0°		SERIES		94509		REVISION	
DRAFT WHERE APPLICABLE MUST REMAIN WITHIN DIMENSIONS		FIRST ANGLE PROJECTION		DRAWING		A3-SIZE		MATERIAL NUMBER	
		SEE TABLE		CUSTOMER		FIAT		SHEET NUMBER	
		8 OF 10							

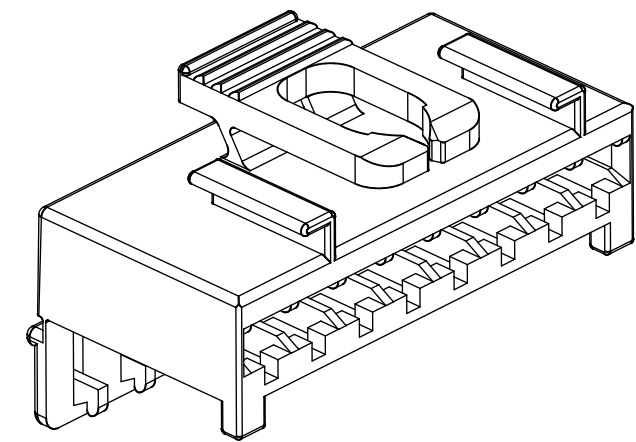


HOUSINGS A 8 VIE: / 8 CKT HOUSINGS:  
 (VEDERE ANCHE FOGLIO PRECEDENTE)  
 (SEE ALSO THE PREVIOUS SHEET)



POLARIZZAZIONE TIPO "C"  
 TYPE "C" POLARIZATION

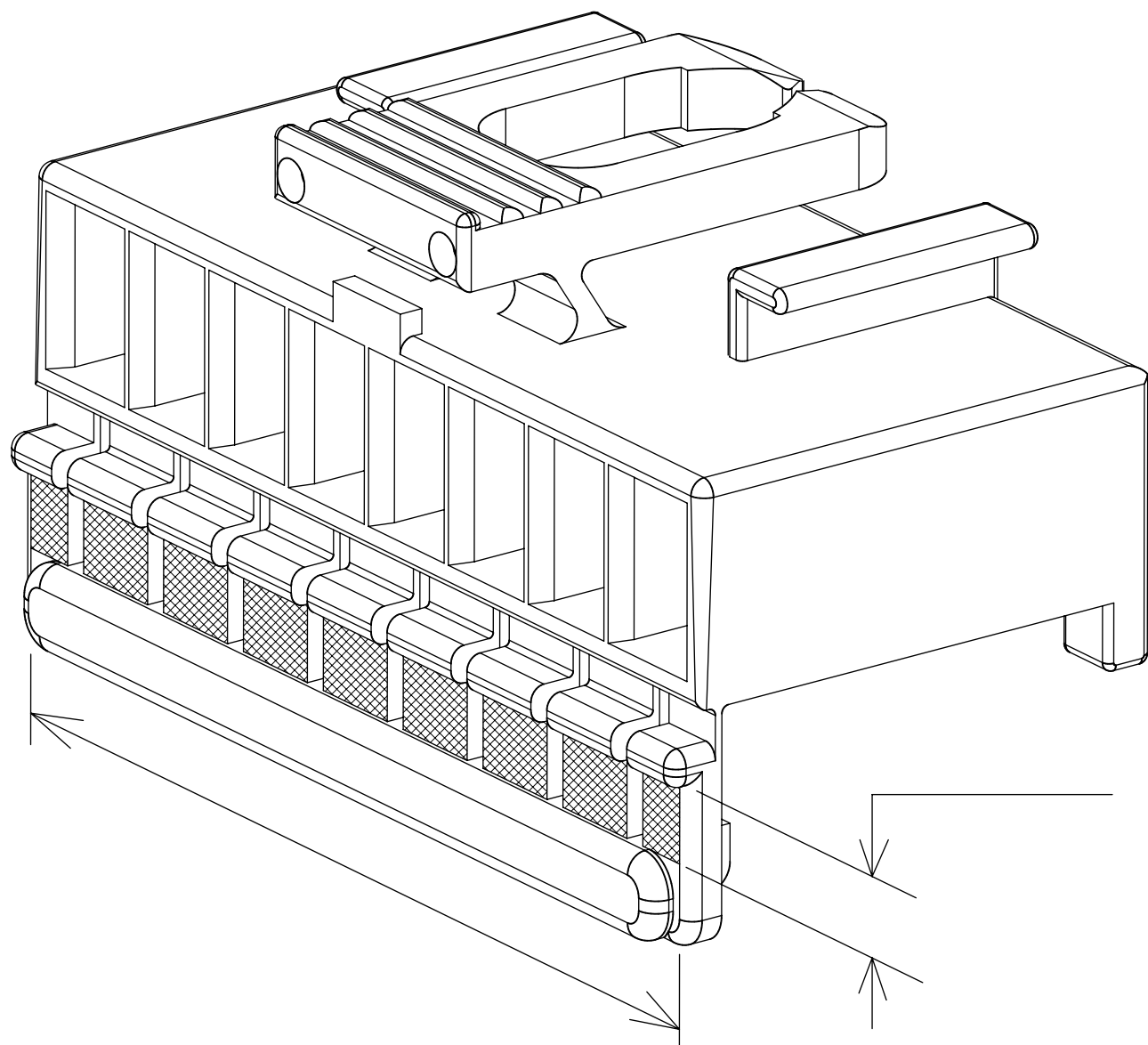
N.° VIE CKT No.	CODICE HOUSING/TIPO POLARIZZAZIONE HOUSING P/N / POLARIZATION	
	C	D
8	94509-5830	94509-5840



POLARIZZAZIONE TIPO "D"  
 TYPE "D" POLARIZATION

THIS DRAWING CONTAINS INFORMATION THAT IS PROPRIETARY TO MOLEX ELECTRONIC TECHNOLOGIES, LLC AND SHOULD NOT BE USED WITHOUT WRITTEN PERMISSION									
DIMENSION UNITS <b>mm</b>		SCALE <b>2:1</b>		CURRENT REV DESC:				<b>molex</b>	
GENERAL TOLERANCES (UNLESS SPECIFIED)				EC NO: 620398					
		MM	INCH	DRWN: AKUMAR19		2019/01/10		HOUSING FOR STRAIGHT FORK TERMINAL (WITH STEEL PINS)	
4 PLACES		±	±	CHK'D: GGA		2019/10/18		PRODUCT CUSTOMER DRAWING	
3 PLACES		±	±	APPR: GGA		2019/10/18		DOCUMENT NUMBER	
2 PLACES		± 0.1	±	INITIAL REVISION:		1991/01/23		SD-94509-003	
1 PLACE		± 0.2	±	DRWN: SBARBIER		1991/01/24		DOC TYPE	
0 PLACES		±	±	APPR: MPREVIAT		1991/01/24		DOC PART	
ANGULAR TOL		± 2.0°		SERIES		94509		REVISION	
DRAFT WHERE APPLICABLE MUST REMAIN WITHIN DIMENSIONS				FIRST ANGLE PROJECTION		DRAWING		MATERIAL NUMBER	
				A3-SIZE		SEE TABLE		CUSTOMER	
				94509		FIAT		SHEET NUMBER	
						9 OF 10			

MARCATURE CON BANDA COLORATA  
COLOR MARKING



ZONA COLORATA  
MARKED AREA

CONFEZIONE - PACKAGING

I PEZZI SONO CONFEZIONATI IN SACCHETTI DI PLASTICA POSTI IN SCATOLE DI CARTONE  
PARTS ARE PACKED IN PLASTIC BAGS PUT IN CARTON BOXES

CKT No.	HOUSING P/N - POLARIZATION				STD PACK. QUANTITY
	A	B	C	D	
2	94509-5210	94509-5220			7500
3	94509-5310	94509-5320			5500
4	94509-5410	94509-5420			3000
5	94509-5510	94509-5520			3300
6	94509-5610				2800
7	94509-5710	94509-5720			1500
8	94509-5810	94509-5820	94509-5830	94509-5840	2000

CKT No.	HOUSING P/N	POLARIZATION	COLOR
6	94509-5610	A	—
8	94509-5810	A	—
	94509-5820	B	ROSSO/ RED
	94509-5830	C	BLU/ BLUE
	94509-5840	D	NERO/ BLACK

THIS DRAWING CONTAINS INFORMATION THAT IS PROPRIETARY TO MOLEX ELECTRONIC TECHNOLOGIES, LLC AND SHOULD NOT BE USED WITHOUT WRITTEN PERMISSION									
DIMENSION UNITS <b>mm</b>		SCALE <b>2:1</b>		CURRENT REV DESC:				<b>molex</b>	
GENERAL TOLERANCES (UNLESS SPECIFIED)				EC NO: 620398					
		MM	INCH	DRWN: AKUMAR19		2019/01/10		HOUSING FOR STRAIGHT FORK TERMINAL (WITH STEEL PINS)	
4 PLACES		±	±	CHK'D: GGA		2019/10/18		PRODUCT CUSTOMER DRAWING	
3 PLACES		±	±	APPR: GGA		2019/10/18		DOCUMENT NUMBER	
2 PLACES		± 0.1	±	INITIAL REVISION:		1991/01/23		SD-94509-003	
1 PLACE		± 0.2	±	DRWN: SBARBIER		1991/01/24		DOC TYPE	
0 PLACES		±	±	APPR: MPREVIAT		1991/01/24		DOC PART	
ANGULAR TOL		± 2.0°		SERIES		94509		REVISION	
DRAFT WHERE APPLICABLE MUST REMAIN WITHIN DIMENSIONS		FIRST ANGLE PROJECTION		DRAWING		MATERIAL NUMBER		CUSTOMER	
		A3-SIZE		SEE TABLE		FIAT		SHEET NUMBER	
		10 OF 10							