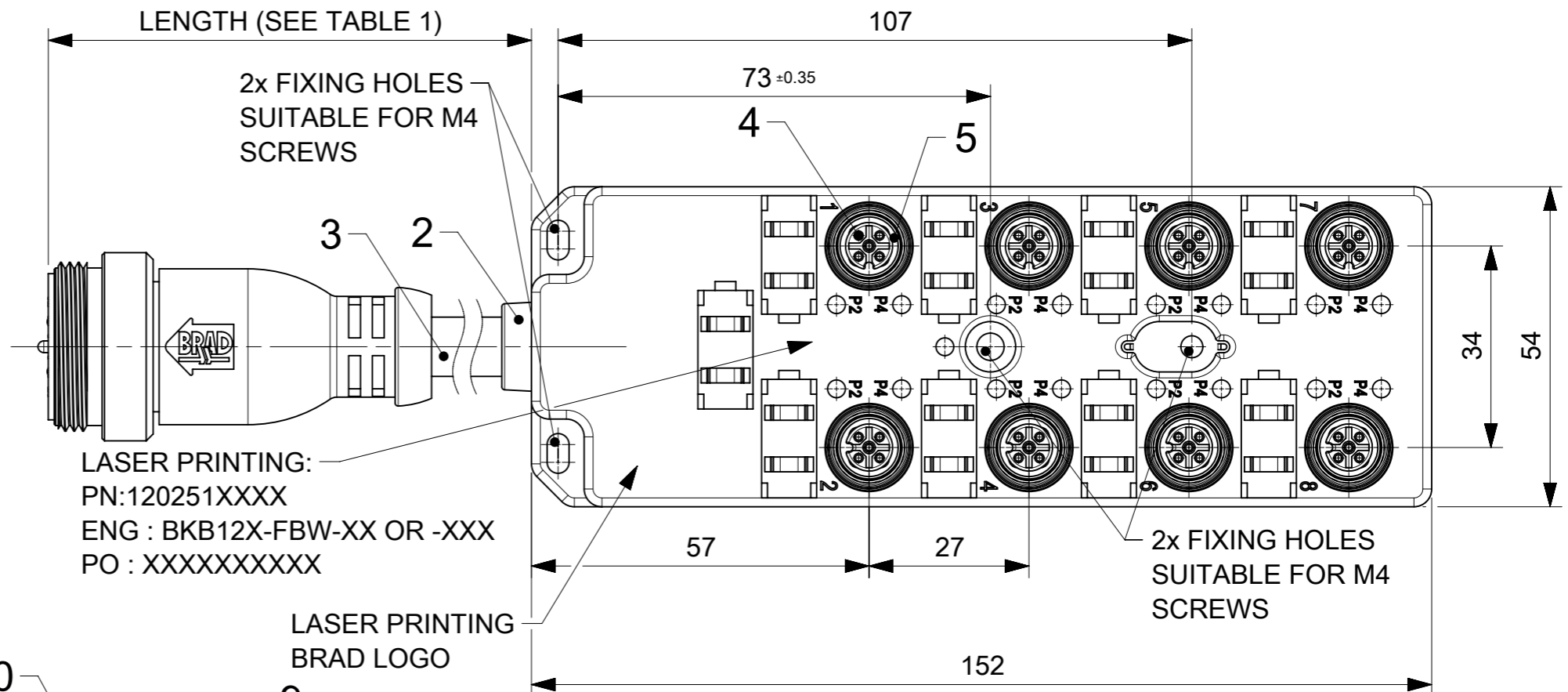
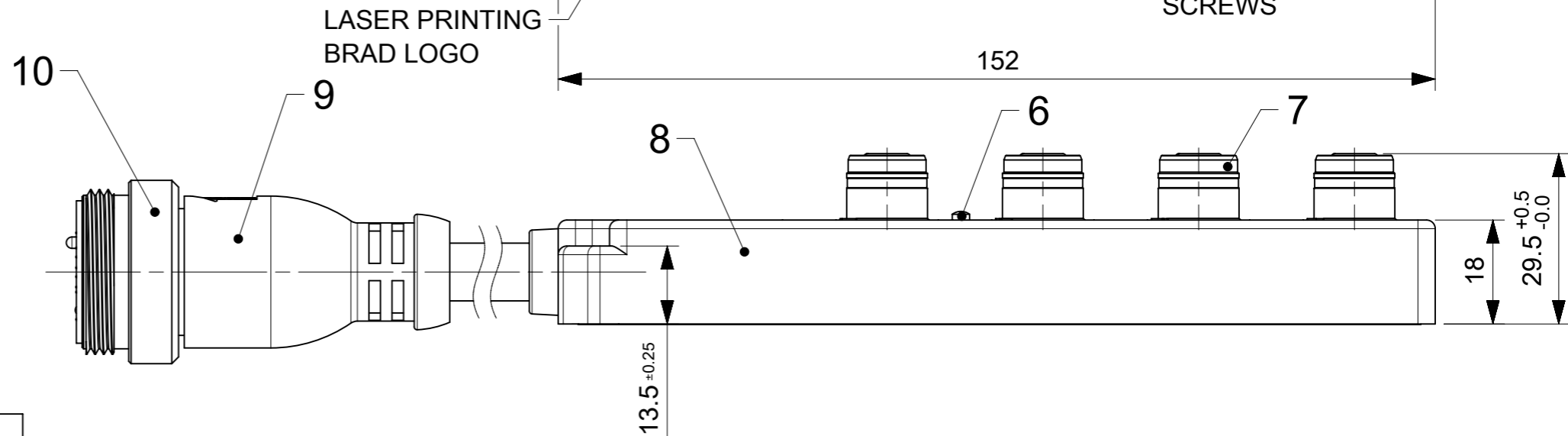
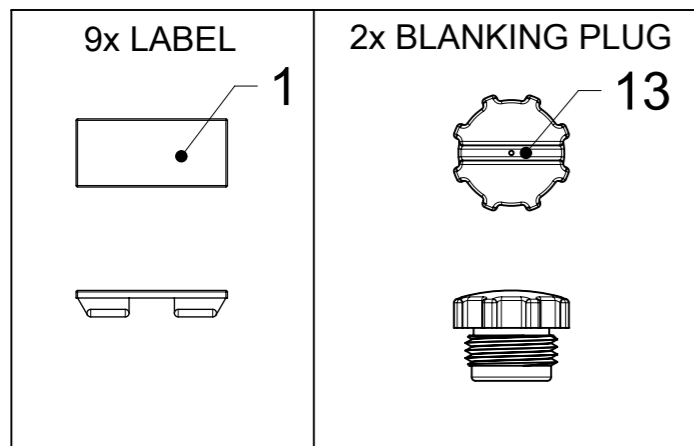


TABLE 1

MOLEX P/N	ENG. NO.	CABLE LENGTH (mm)	LED
1202510097	BKB8120-FBW-003	300	NO
1202510098	BKB8120-FBW-01	1000	NO
1202510099	BKB8120-FBW-050	5000	NO
1202510100	BKB8120-FBW-10	10000	NO
1202510101	BKB812N-FBW-003	300	YES
1202510102	BKB812N-FBW-01	1000	YES
1202510103	BKB812N-FBW-05	5000	YES
1202510104	BKB812N-FBW-10	10000	YES
1202510105	BKB812P-FBW-003	300	YES
1202510106	BKB812P-FBW-01	1000	YES
1202510107	BKB812P-FBW-05	5000	YES
1202510108	BKB812P-FBW-10	10000	YES



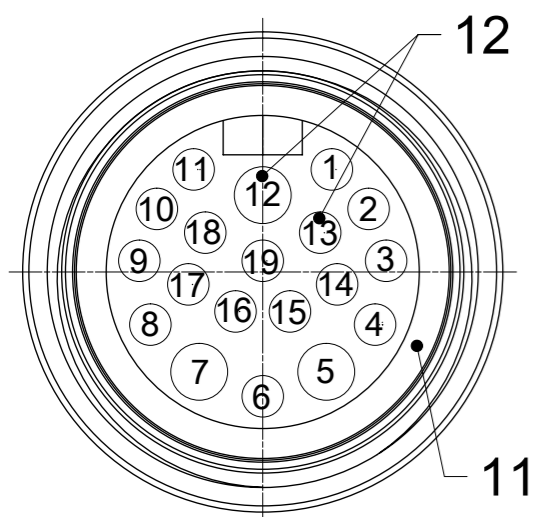
PACKED IN A BAG



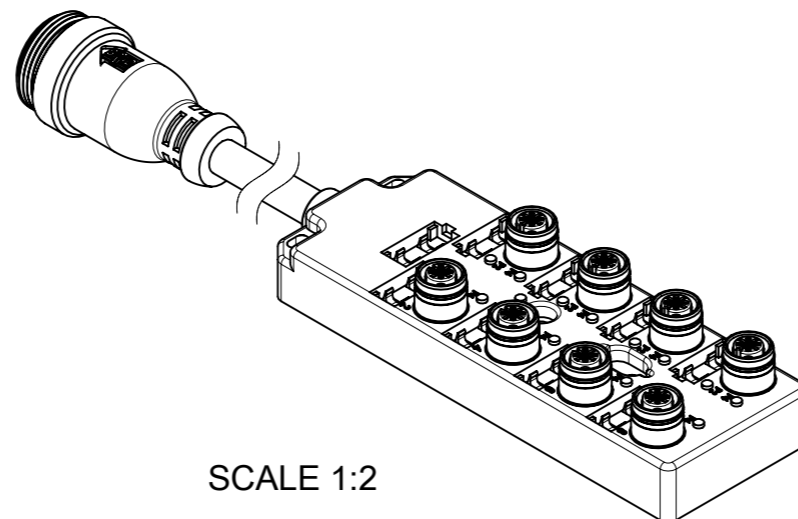
WIRING DIAGRAM

PIN	COLOR
1	VIOLET
2	RED
3	GREY
4	RED/BLUE
5	BLUE
6	GREEN
7	BROWN
8	WHITE/GREEN
9	WHITE/YELLOW
10	WHITE/GREY
11	BLACK
12	YELLOW/GREEN
13	YELLOW/BROWN
14	BROWN/GREEN
15	WHITE
16	YELLOW
17	PINK
18	GREY/BROWN
19	GREY/PINK

19 POLE MALE FACE VIEW



SCALE 2:1



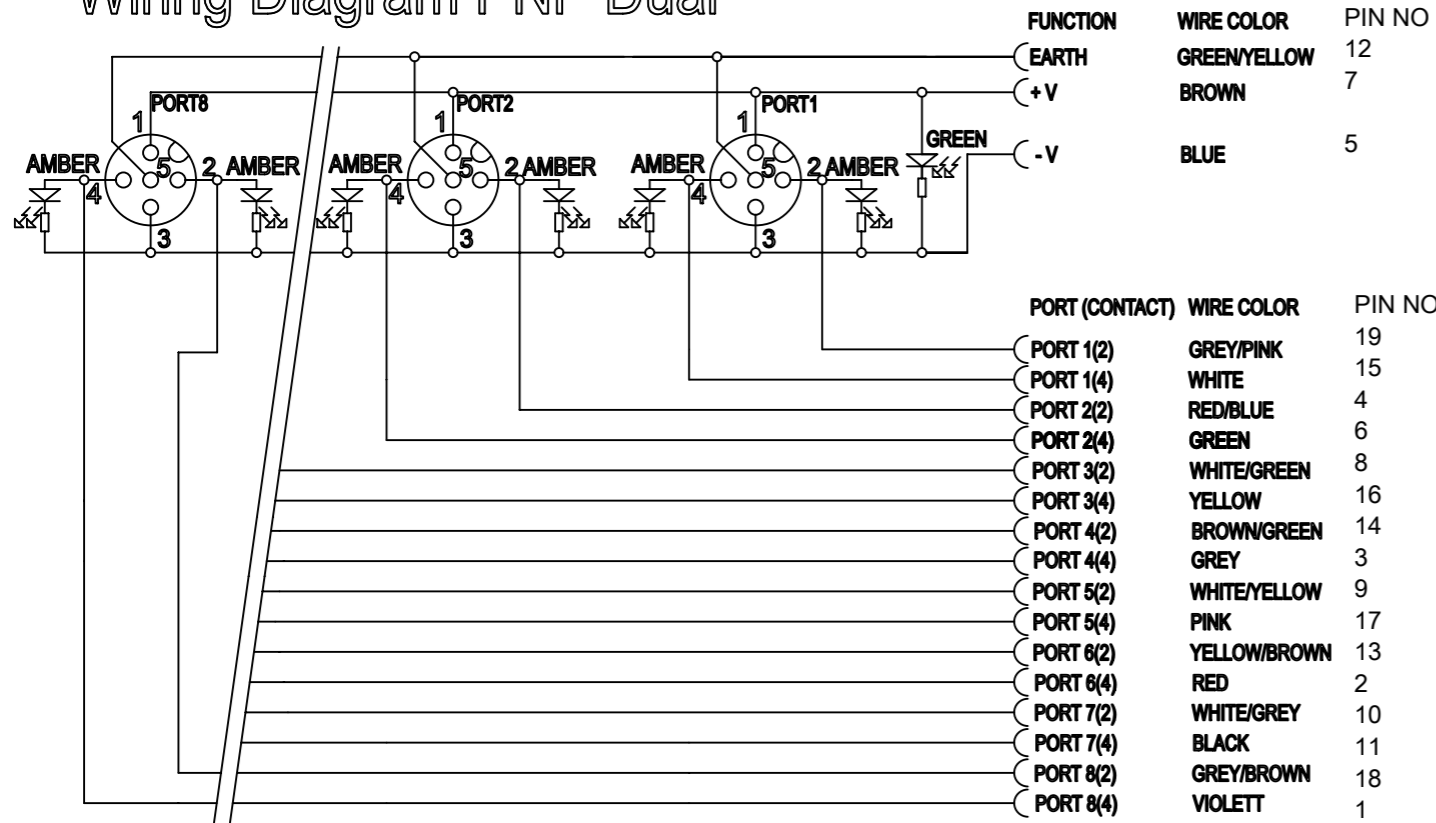
GENERAL CHARACTERISTICS:

ELECTRICAL AND MECHANICAL DATA ACC. TO IEC 61076-2-101

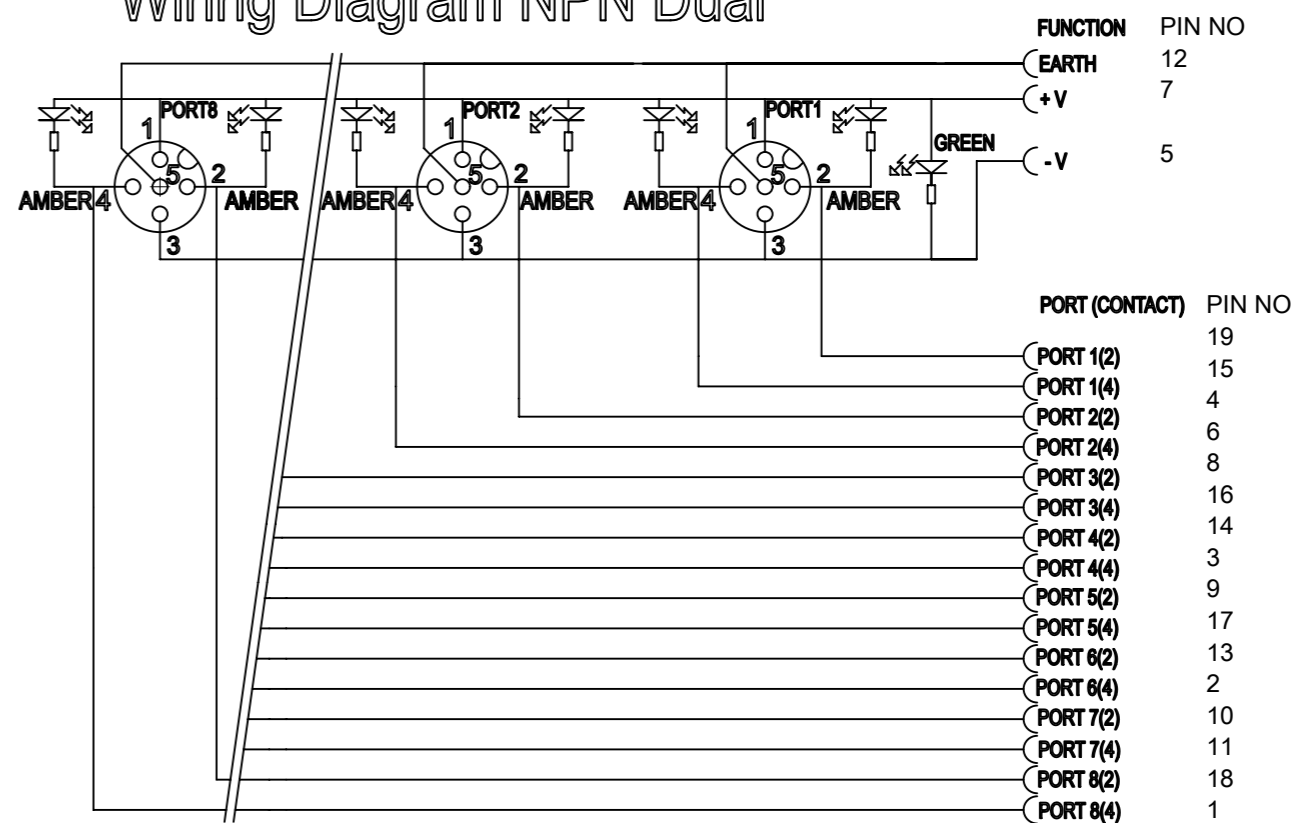
NOMINAL VOLTAGE: 10-30 V DC  
 AMPERE RATING: 4 A PER PORT / 12 A MAX  
 AMPERE RATING WITH UL REGISTRATION: 3 A PER PORT / 9 A MAX  
 IP DEGREE OF PROTECTION: IP 67  
 TEMPERATURE RANGE: -25°C to + 85°C

FUNCTIONAL SYMBOLS	THIS DRAWING CONTAINS INFORMATION THAT IS PROPRIETARY TO MOLEX ELECTRONIC TECHNOLOGIES, LLC AND SHOULD NOT BE USED WITHOUT WRITTEN PERMISSION		CURRENT REV DESC:	
∇A = 0	mm	SCALE	1:1	
∇E = 0	GENERAL TOLERANCES (UNLESS SPECIFIED)			
∇F = 0	ANGULAR TOL ± 1.0°			
DIVISIONAL SYMBOLS	4 PLACES ±	3 PLACES ±	2 PLACES ±	1 PLACE ±
	± 0.05	± 0.3	± 0.5	± 0.5
	DRAFT WHERE APPLICABLE MUST REMAIN WITHIN DIMENSIONS			
	THIRD ANGLE PROJECTION	DRAWING	SERIES	MATERIAL NUMBER
	⊕ ⊖	A3-SIZE	120251	SEE TABLE 1
	EC NO: 698219		2022/01/27	
	DRWN: SSM		2022/03/04	
	CHK'D: RSILLER		2022/03/04	
	APPR: RSILLER		2022/03/04	
	INITIAL REVISION:		2019/01/11	
	DRWN: SSM		2020/01/17	
	APPR: RSILLER		2020/01/17	
	DOCUMENT NUMBER		DOC TYPE DOC PART REVISION	
	1202510097		PSD 000 A4	
	CUSTOMER		SHEET NUMBER	
	GENERAL MARKET		1 OF 2	

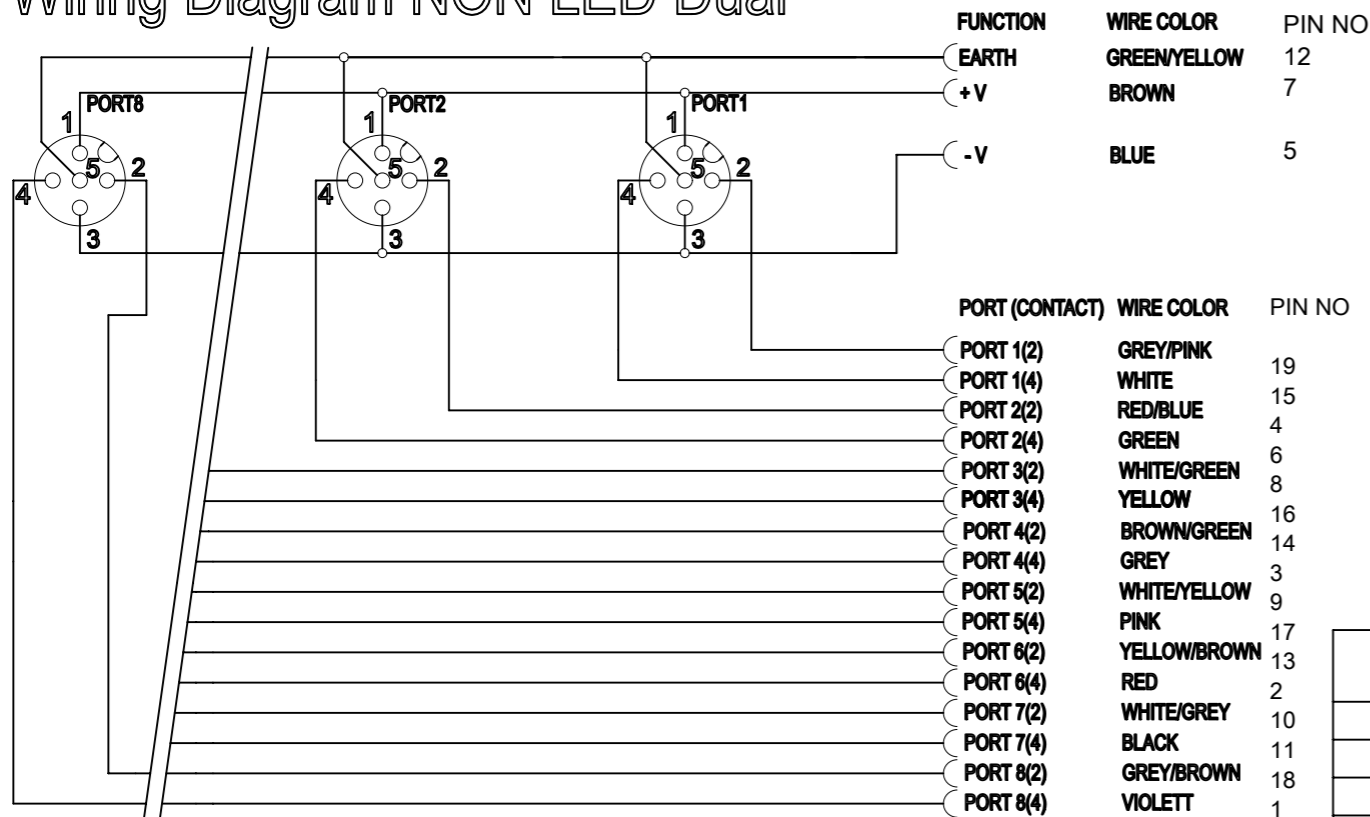
# Wiring Diagram PNP Dual



# Wiring Diagram NPN Dual



# Wiring Diagram NON LED Dual



## BILL OF MATERIAL

ITEM	QTY	DESCRIPTION	MATERIAL	FINISH
1	9	LABEL	ABS	WHITE
2	1	CABLE PLATE	PBT	BLACK
3	-	CABLE	TPU BASED	BLACK
4	40	CONTACT	BRASS	GOLD OVER NICKEL
5	8	O-RING	FPM	RED
6	17	LED (SEE TABLE 1)	NO LED = PA WITH LED = PA	BLACK TRANSPARENT
7	8	SHELL	BRASS	NICKEL PLATED
8	1	HOUSING	PBT	BLACK
9	-	OVERMOLDING	PVC	YELLOW
10	1	COUPLING NUT	ZINC DIE CAST	BLACK
11	1	INSERT 19 POLE	PVC	YELLOW
12	19	CONTACT	BRASS	GOLD OVER NICKEL
13	2	ACC PCAP M12 FE	PA	BLACK

## CABLE LENGTH TOLERANCES

LENGTH [m]	TOLERANCE [mm]
0-1	+40
>1-5	+60
>5-10	+80
>10-20	+140
>20-30	+160
>30	+1% length

FUNCTIONAL SYMBOLS √A = 0 √E = 0 √V = 0	THIS DRAWING CONTAINS INFORMATION THAT IS PROPRIETARY TO MOLEX ELECTRONIC TECHNOLOGIES, LLC AND SHOULD NOT BE USED WITHOUT WRITTEN PERMISSION	CURRENT REV DESC:	
	DIMENSION UNITS: mm SCALE: 1:1	GENERAL TOLERANCES (UNLESS SPECIFIED) ANGULAR TOL ± 1.0° 4 PLACES ± 3 PLACES ± 2 PLACES ± 0.05 1 PLACE ± 0.3 0 PLACES ± 0.5	
DIVISIONAL SYMBOLS	EC NO: 698219 DRWN: SSM CHK'D: RSILLER APPR: RSILLER	2022/01/27 2022/03/04 2022/03/04	
DRAFT WHERE APPLICABLE MUST REMAIN WITHIN DIMENSIONS	INITIAL REVISION: DRWN: SSM APPR: RSILLER	2019/01/11 2020/01/17	
THIRD ANGLE PROJECTION		DRAWING: A3-SIZE	SERIES: 120251
MATERIAL NUMBER: SEE TABLE 1		CUSTOMER: GENERAL MARKET	SHEET NUMBER: 2 OF 2