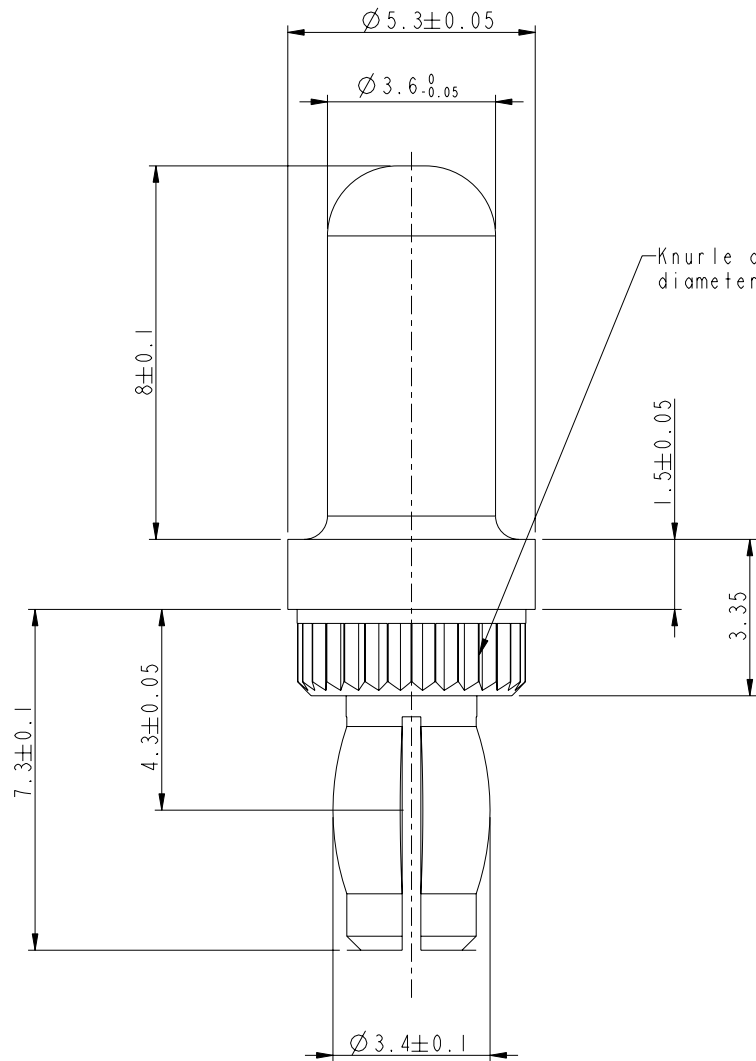




Copyright FCI.



Notes :

Material : Brass
 Plating : Gold over Nickel on entire part
 Press-fit retention on board : 75N mini
 (Board thickness > 2.4mm)

Press-fit hole : 3.02 to 3.20mm after reflow
 (drilled diameter 3.20 to 3.26mm)

3-ROHS INFORMATIONS:

- This product meets European Union Directives and other country regulations as described in GS-22-008.
- Termination plating 0.5 to 4µ Nickel + Gold on entire part
- Packaging spec: see GS-14-920.

FCI P/N 10062610-001LF

rev	ecn no	dr	date
A	LS06-0058	MLE	2006/03/13
B	LS06-0084	LGO	2006/06/20
-	-	-	-
-	-	-	-
-	-	-	-
-	-	-	-

www.fciconnect.com		surface ISO 1302	-	tolerance std ISO 406 ISO 1101	projection A3	mm
TOLERANCES UNLESS OTHERWISE SPECIFIED				0.X ±0.3	size	Scale 10:1
Dr	MLenoir	2006/03/09	ANGULAR	0.XX ±0.1	ECN	LS06-0084
Eng	MLenoir	2006/03/09	LINEAR	0.XXX ±0.05	Spec ref	-
Chr	phLegare	2006/03/09	0° ±2°			
Appr	PhLegare	2006/03/09	Product family			
FCI		MALE POWER CONTACT		dwg no	10062610C	Rev. B
		ACTIVE AREA LENGTH 8MM		catalog no	Y	sheet 1 of 1

REV F - 2006-04-17