

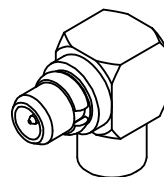
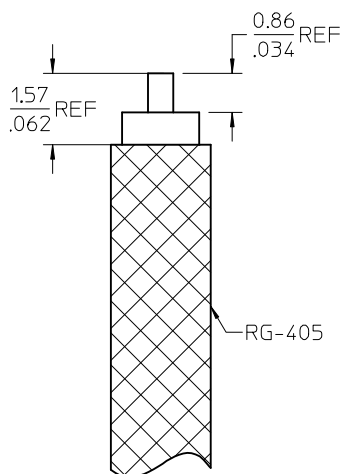
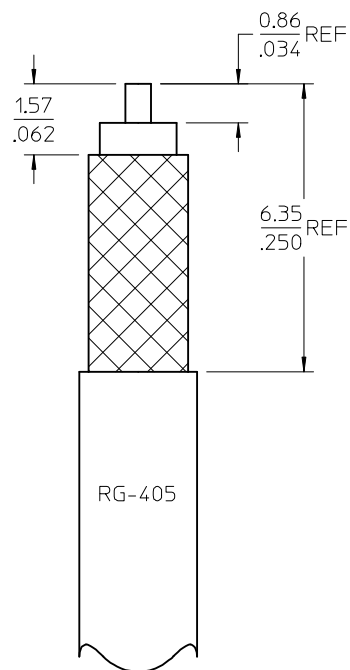
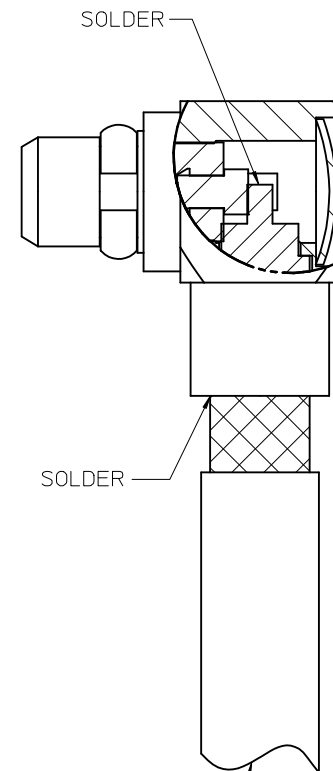
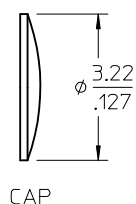
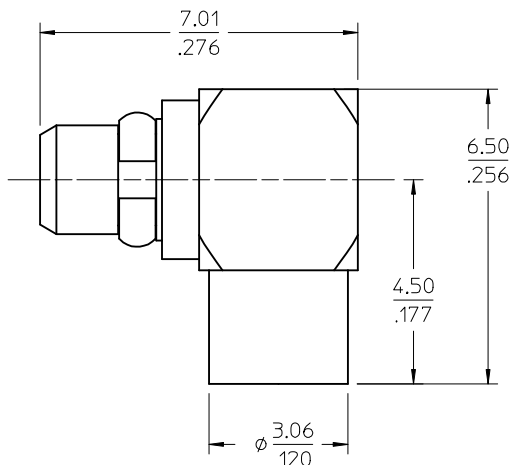
MATERIALS AND FINISHES:

BODY, CAP: BRASS
PLATED: GOLD (SEE TABLE)

CENTER CONTACT: BRASS
PLATED: GOLD (SEE TABLE)

SNAP RING: BERYLLIUM COPPER
PLATED: GOLD (SEE TABLE)

INSULATOR: PTFE



RG-405 (φ0.086) CABLE

CABLE STRIP DIMENSIONS FOR JACKETED CABLES

CABLE STRIP DIMENSIONS FOR NON JACKETED CABLES

73415-2162	SINGLE BAG	FLASH	30u"
73415-2161	BULK	FLASH	30u"
73415-2160	BULK	30u"	50u"
PART NO.	PACKAGING	BODY/CAP/RING	CONTACT
		GOLD	GOLD

PS-89675-1920	ELECTRO/MECH PERFORM.
SPECIFICATION	DESCRIPTION

CHG: PTFE WAS TEFLON, ADDED GEN TOL VALUES, JACKET & NON JACKET CABLE DETAILS.
 IEC NO: URF-2016-0187
 DRW: APRASHO1 2015/08/28
 CHK: DLLM 2015/08/28
 APPR: AROBERTSON 2015/09/11

QUALITY SYMBOLS
 ▼=0
 ▽=0

GENERAL TOLERANCES (UNLESS SPECIFIED)
 mm INCH
 4 PLACES ± --- ± ---
 3 PLACES ± --- ± 0.010
 2 PLACES ± 0.25 ± ---
 1 PLACE ± --- ± ---
 ANGULAR ± 2°
 DRAFT WHERE APPLICABLE MUST REMAIN WITHIN DIMENSIONS

DIMENSION STYLE MM/IN
 DRAWN BY DATE
 TEF 2000/06/15
 CHECKED BY DATE
 SSS 2000/06/15
 APPROVED BY DATE
 JWIENER 2010/04/08
 MATERIAL NO.
 SEE TABLE
 SIZE C

SCALE DESIGN UNITS METRIC
 THIRD ANGLE PROJECTION
 TITLE
 MMCX PLUG R/A
 RG405 50 OHMS
 MMCX-PC/RA
 MOLEX MOLEX INCORPORATED
 DOCUMENT NO. SD-73415-216
 SHEET NO. 1 OF 1