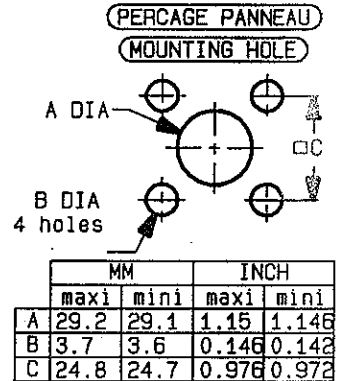
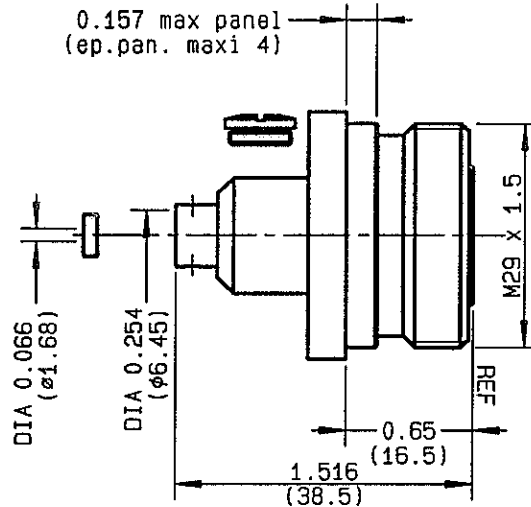
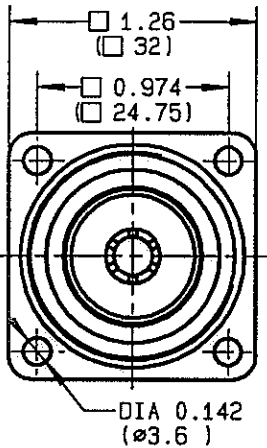


**STRAIGHT SQUARE FLANGE JACK SOLDER TYPE
CABLE .250**

R185.254.000

SERIES

7/16



NOMINAL IMPEDANCE	50 Ω
FREQUENCY RANGE	0-7.5 GHz
TEMPERATURE RATING	-55/+105 °C
V.S.W.R	1.20 + 0 x F(GHz)Maxi
RF INSERTION LOSS	TBD \sqrt{F} (GHz) dB Maxi
VOLTAGE RATING	1400 Veff Maxi
DIELECTRIC WITHSTANDING VOLTAGE	2700 Veff Mini
INSULATION RESISTANCE	10000 M Ω Mini
HERMETIC SEAL	NA Atm.cm ³ /s
LEAKAGE (pressurized only)	NA
MECHANICAL DURABILITY	500 Cycles
WEIGHT	gr
SPECIFICATION	

CABLES : **KS 3**
RS 401

OTHERS CHARACTERISTICS

ROS jusqu'a 3 GHz - 1.10 maxi

CABLE RETENTION	500 N Mini
CENTER CONTACT RETENTION	
Axial force - mating end	200 N Mini
Axial force - opposite end	100 N Mini
Torque	2 cm.N Mini
RECOMMENDED TORQUES	
Mating	NA cm.N
Panel nut	NA cm.N
Clamp nut	NA cm.N

CONNECTOR PARTS:

MATERIALS

FINISH

(all values are given in micrometers)

BODY	BRASS	BBR 0.5 OVER SILVER 3
OUTER CONTACT	BRASS	SILVER 5 OVER COPPER 0.5
CENTER CONTACT	BERYLLIUM COPPER	SILVER 5 OVER COPPER 0.5
INSULATOR	PTFE	-
GASKET	-	-
OTHERS PIECES	BRASS	BBR 2

ISSUE
9902B00

CREATION DATE
29-FEB-96

FILE PART-NUMBER
94-0105-026



RADIALL®

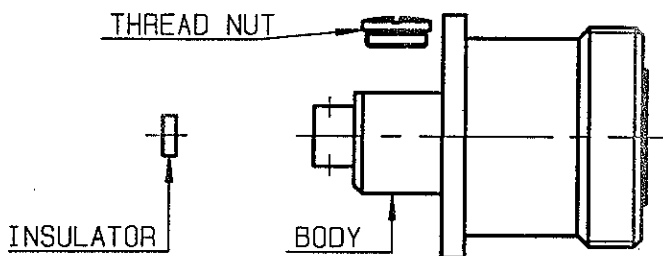
FANJAT

The information given here is subject to change without notice.
Design changes may be in order to improve the product.

Connect to the future



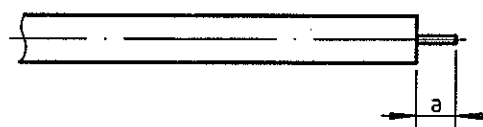
R185.254.000
 ISSUE 9902B00 SERIES 7/16



We recommend a thermal preconditioning cable .

①

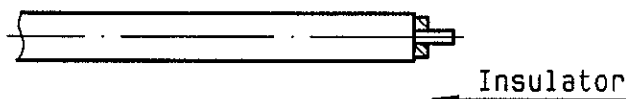
Strip the cable .
 Stripping tool R282 054 000
 Positioner R282 074 000



Stripping	a	b	c	d	e
inch	0.201	0	0	0	0
mm	5.1				

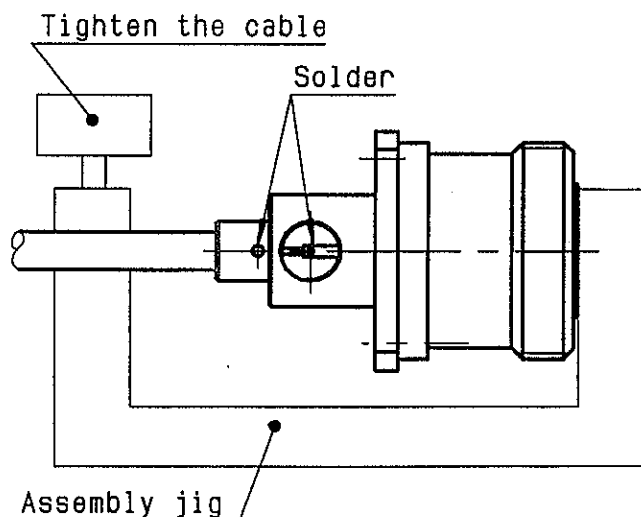
②

Slide the insulator onto the cable inner conductor .



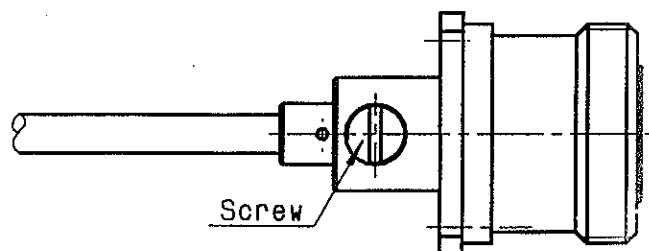
③

Introduce the cable into the connector body until it stops .
 Place the sub assembly into the assembly jig R282 740 030' (or equivalent) and tighten it .
 Solder the body onto the cable .
 Solder the body onto the cable .
 Let the assembly cool down before removing it from the jig .



④

Screw the cap .



FANJAT