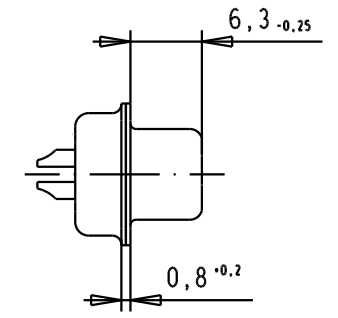
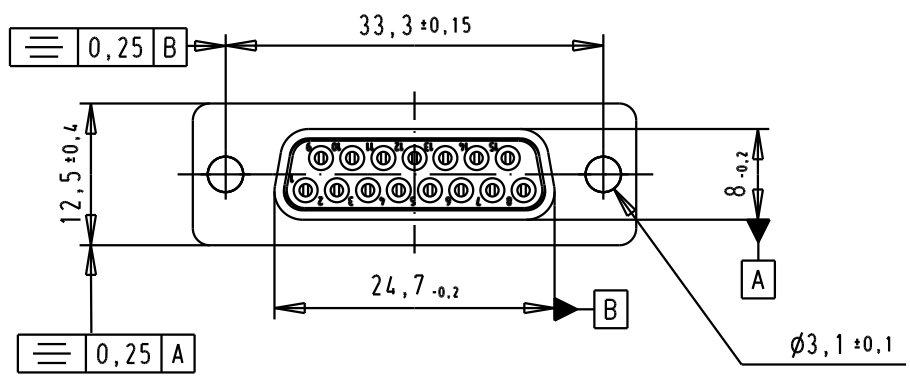


5 4 3 2 1

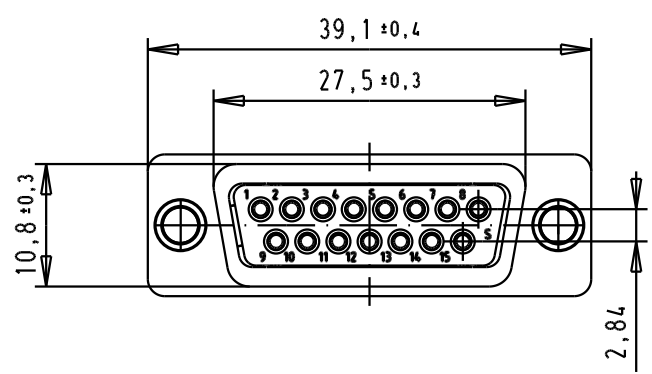
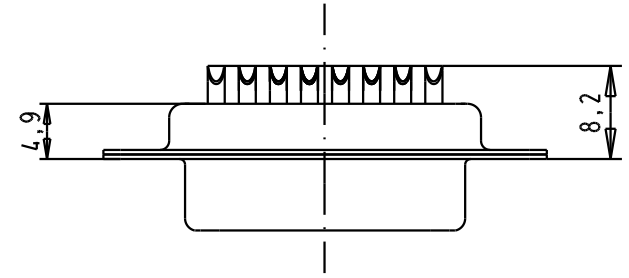
SPECIFICATION

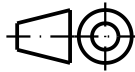

Mating Cycles	500
Filter type	C
Capacitance	470pf ±20%
Working Voltage	100v
Current Rating	7.5A
Insulation Resistance	>1GΩ

FREQUENCY (MHz)	ATTENUATION dB
5	-
10	1dB
50	10dB
100	15dB
500	35dB
1000	32dB



Solder buckets for AWG 20 Max



				Dat.	Name	 All Dim. in mm Orig. Size DIN A 4
			Detail.	8-JUL-02	CV	
			Insp.			
			Stand.			
33250	03/11/05	JMDR	HARTING EURL			
31058	8-JUL-02	CV	F-95972 Paris			
Mod.	Dat.	Name				

D-Sub, female, straight
15 Poles, turned solder
buckets, tin plated shell
with holes

TB 09642117220

Ma?Ms tab/
Scale

1.5:1

Blatt / Page

1 / 1

Sub.