

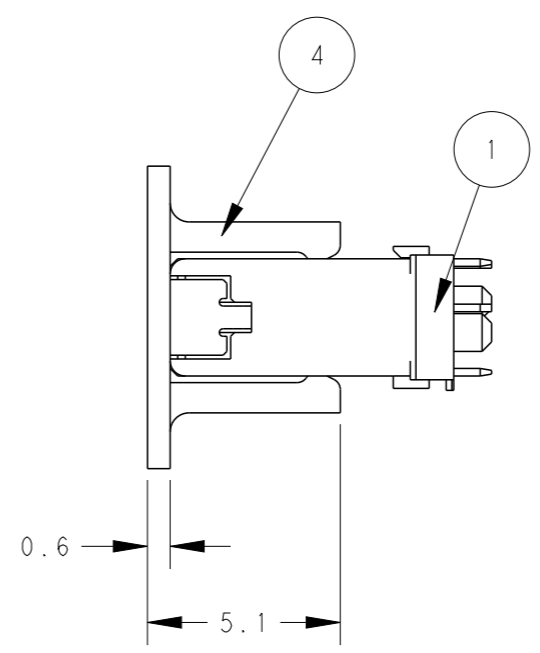
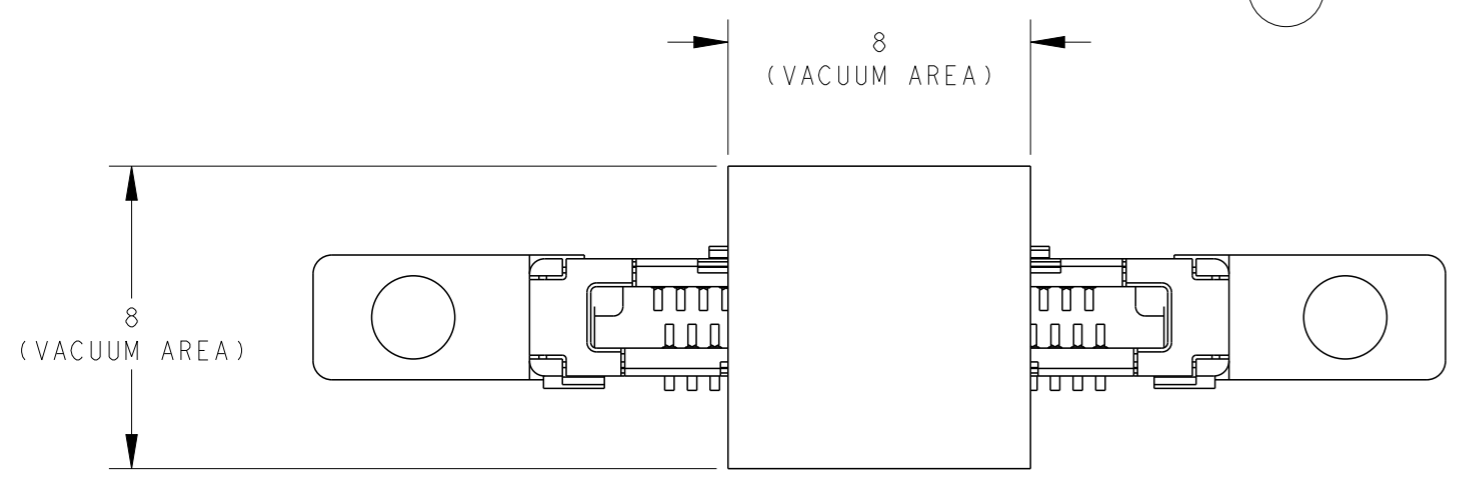
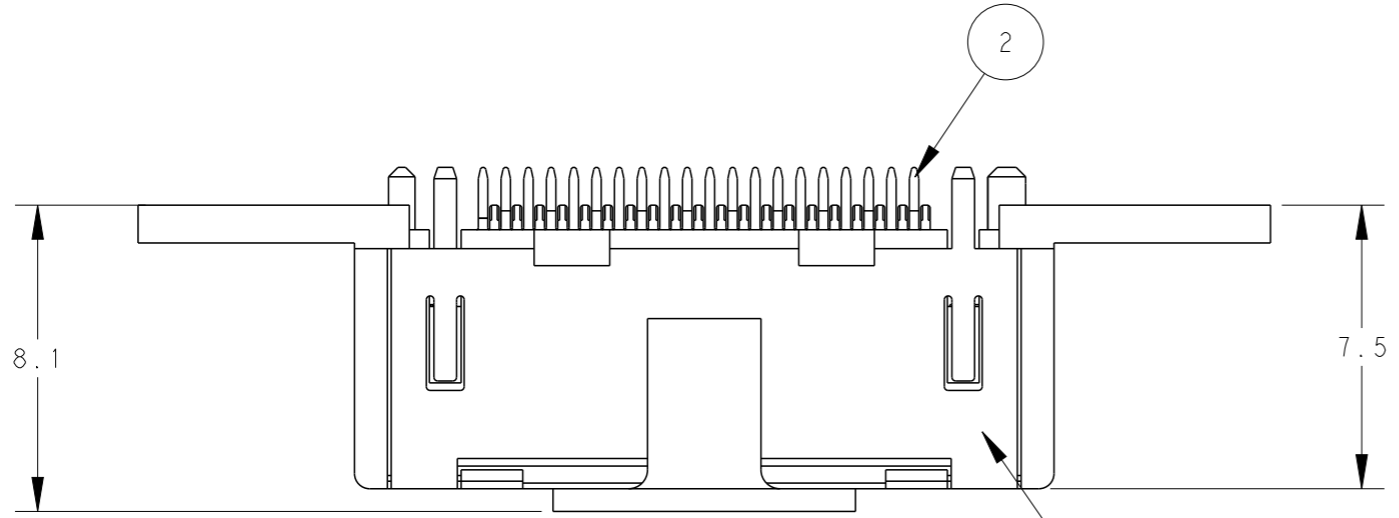
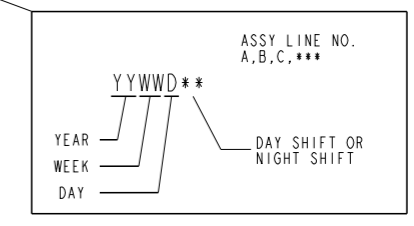
THIS DRAWING IS UNPUBLISHED. RELEASED FOR PUBLICATION 20  
 © COPYRIGHT 20 BY - ALL RIGHTS RESERVED.

LOC	DIST	REVISIONS				
P	LTR	DESCRIPTION	DATE	DWN	APVD	
	A	RELEASED	25NOV2011	T. K	H. K	

WITH CAP CONDITION

2129367-1; AS SHOWN

- ① MATERIAL: HOUSING: THERMO-PLASTIC(UL94V-0,BLACK).  
CONTACT: COPPER ALLOY.  
SHELL: STAINLESS STEEL.  
CAP: THERMO-PLASTIC(UL94V-0,BLACK).
- ② FINISH:  
CONTACT: ALL OVER 2um MIN. Ni UNDER PLATING.  
0.254um MIN. Au PLATING ON CONTACT AREA.  
1~3um Tin PLATING ON TINE AREA.  
SHELL: ALL OVER 1.3um MIN. Ni UNDER PLATING.
- 3. DATE CODE



Q'TY	NAME	ITEM
1	CAP	④
1	SHELL	③
40	CONTACT	②
1	HOUSING	①

THIS DRAWING IS A CONTROLLED DOCUMENT.		DWN T. KUO 25NOV2011	TE Connectivity	
DIMENSIONS: mm		CHK V. PENG 25NOV2011		
TOLERANCES UNLESS OTHERWISE SPECIFIED:		APVD H. KODAMA 25NOV2011		
0 PLC ± 1 PLC ± ±0.25 2 PLC ± ±3° 3 PLC ± 4 PLC ± ANGLES ±		PRODUCT SPEC 108-99033		
MATERIAL ①	FINISH ②	APPLICATION SPEC -	NAME PLUG ASSY, 0.6mm PITCH CHAMP DOCKING CONNECTOR, 40POS	RESTRICTED TO -
		WEIGHT 1g	SIZE A3	CAGE CODE 00779
		CUSTOMER DRAWING	DRAWING NO C-2129367	SCALE 1:1
				SHEET 1 OF 5
				REV A

THIS DRAWING IS UNPUBLISHED.

RELEASED FOR PUBLICATION

20

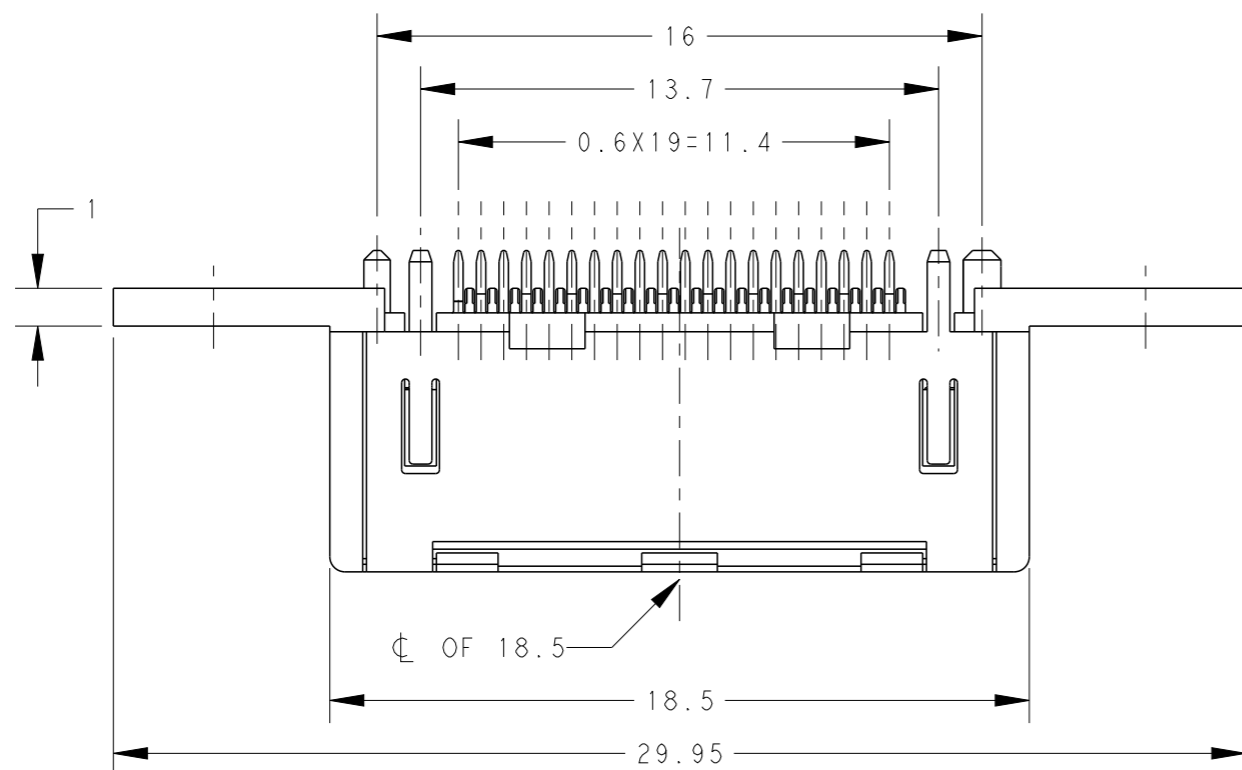
© COPYRIGHT 20 BY -

ALL RIGHTS RESERVED.

LOC DW DIST

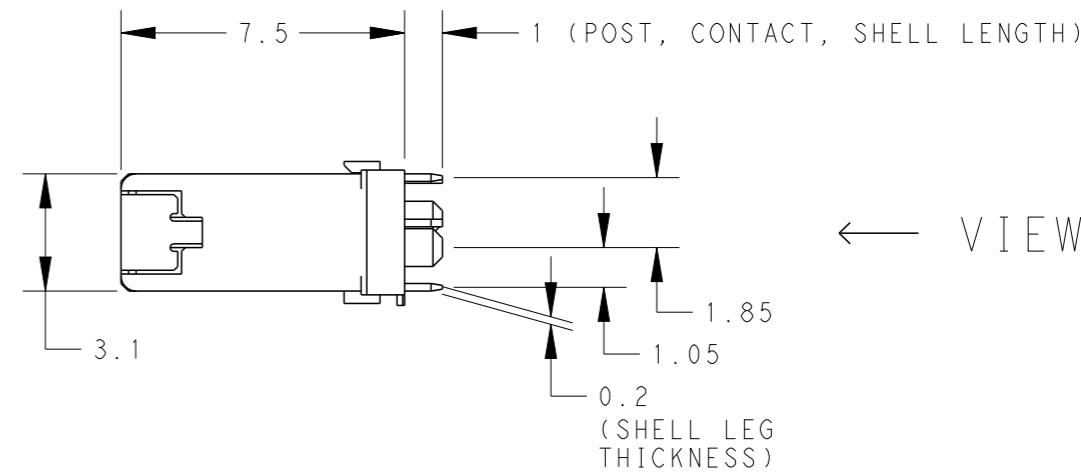
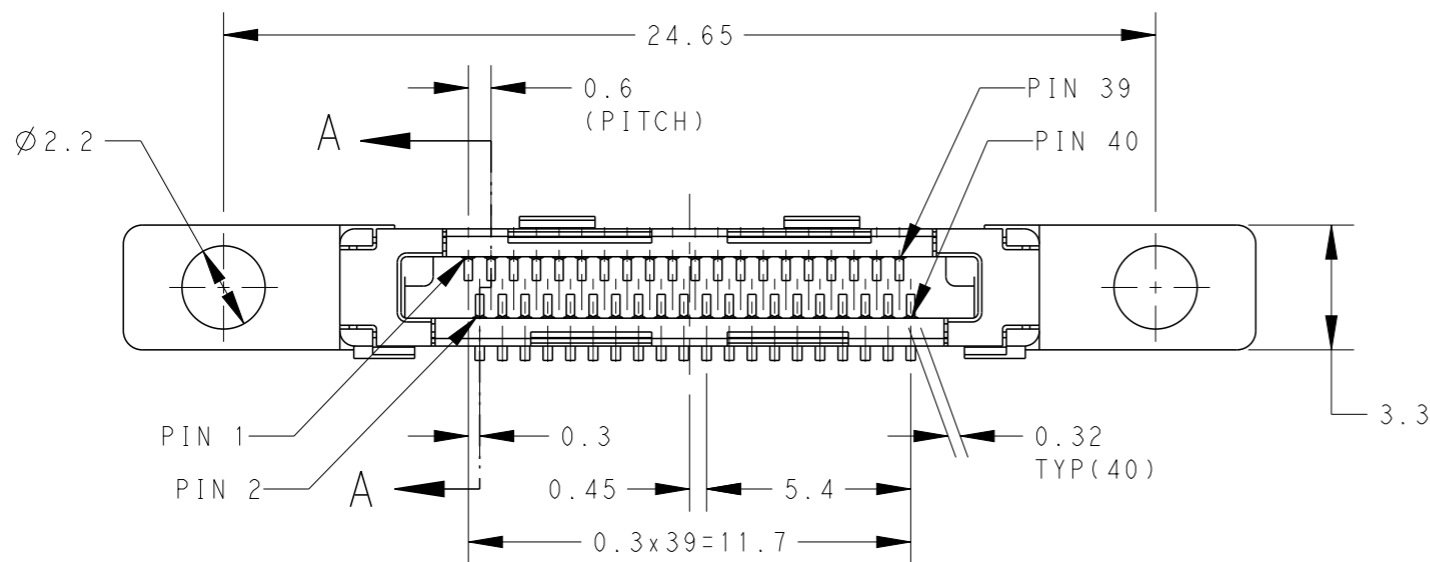
REVISIONS

P	LTR	DESCRIPTION	DATE	DWN	APVD
-	-	SEE SHEET 1	-	-	-




2129367-1; AS SHOWN

W/O CAP CONDITION



← VIEW C

↑ VIEW B

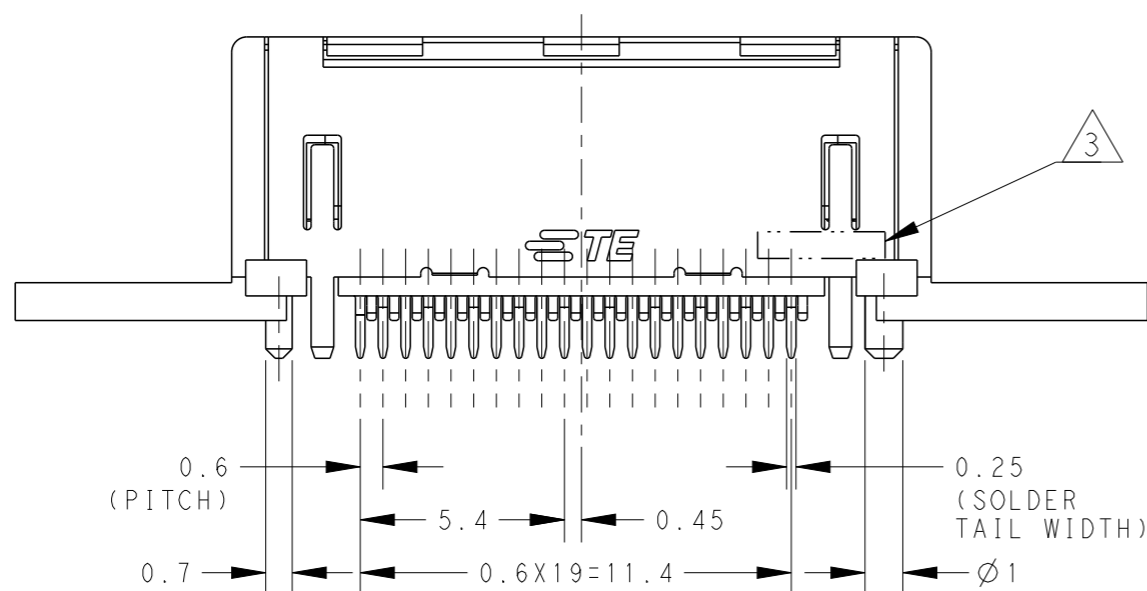
THIS DRAWING IS A CONTROLLED DOCUMENT.		DWN	-	 <b>TE Connectivity</b>
DIMENSIONS: mm		CHK	-	
TOLERANCES UNLESS OTHERWISE SPECIFIED:		APVD	-	
0 PLC ±- 1 PLC ±- ±0.25 2 PLC ±- ±0.25 3 PLC ±- ±3° 4 PLC ±- ANGLES ±- FINISH -		PRODUCT SPEC	-	
MATERIAL		APPLICATION SPEC	-	NAME PLUG ASSY, 0.6mm PITCH CHAMP DOCKING CONNECTOR, 40POS
		WEIGHT	0.84g	SIZE A3
		CUSTOMER DRAWING		CAGE CODE 00779
				DRAWING NO C-2129367
				RESTRICTED TO
				SCALE 5:1 SHEET 2 OF 5 REV A

LOC DW DIST

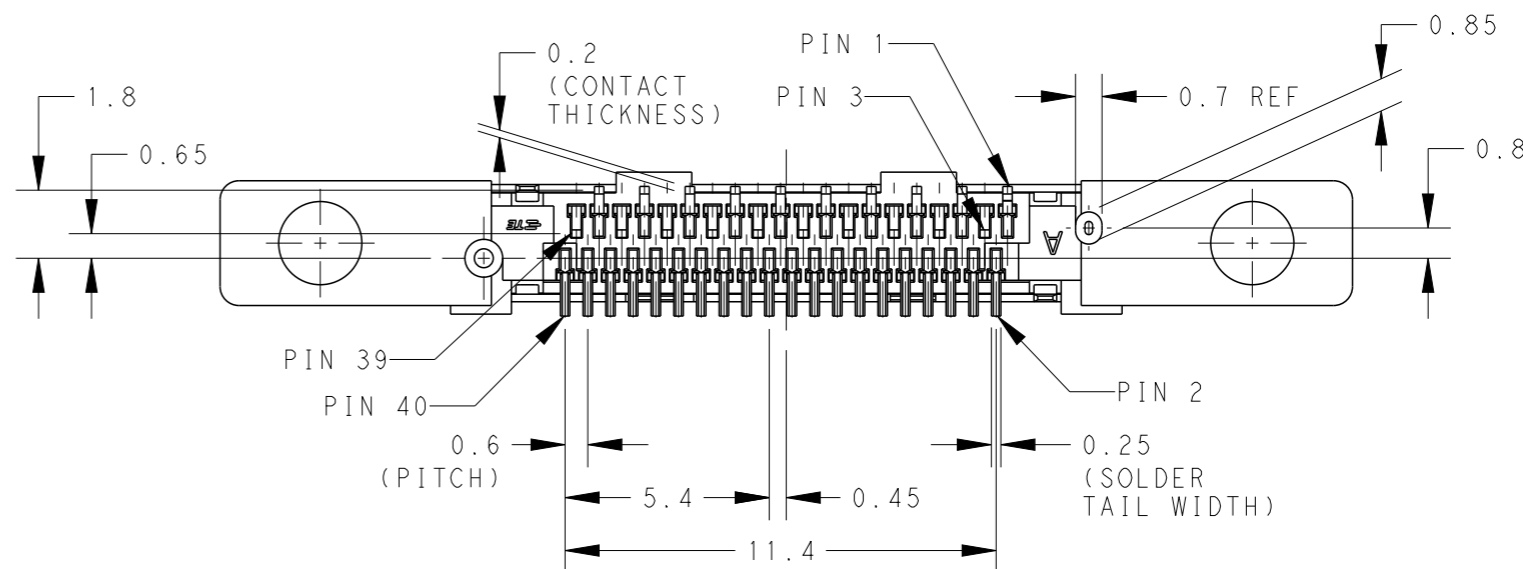
REVISIONS

P	LTR	DESCRIPTION	DATE	DWN	APVD
-	-	SEE SHEET 1	-	-	-

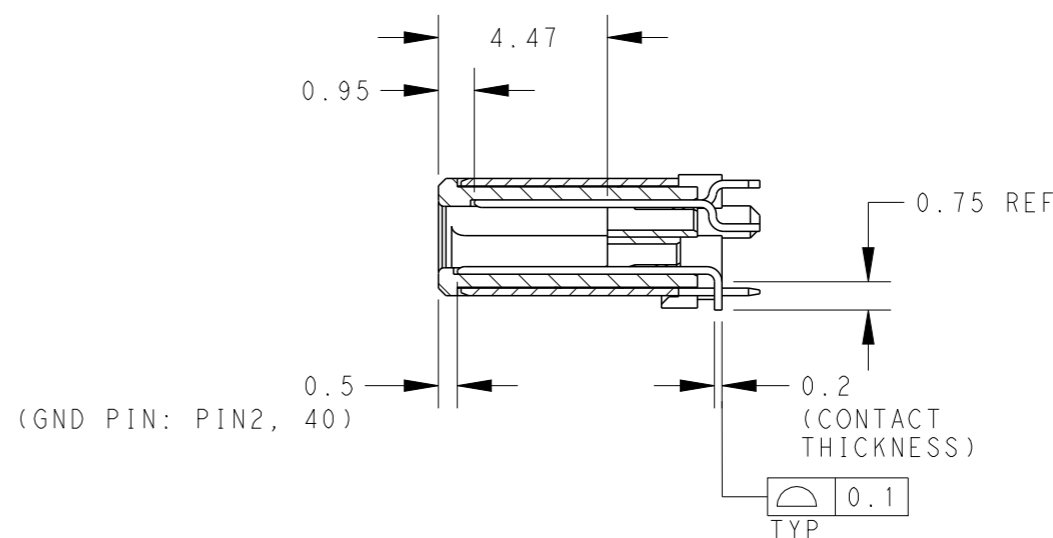
2129367-1; AS SHOWN



VIEW B



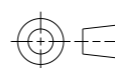
VIEW C



SECTION A-A

THIS DRAWING IS A CONTROLLED DOCUMENT.

DIMENSIONS:  
mm



TOLERANCES UNLESS OTHERWISE SPECIFIED:

0 PLC	±	±0.25
1 PLC	±	±0.25
2 PLC	±	±0.25
3 PLC	±	±0.25
4 PLC	±	±0.25
ANGLES	±	±3°
FINISH	-	-

MATERIAL

DWN	-
CHK	-
APVD	-
PRODUCT SPEC	-
APPLICATION SPEC	-
WEIGHT	-



TE Connectivity

NAME  
PLUG ASSY, 0.6mm PITCH  
CHAMP DOCKING CONNECTOR, 40POS

SIZE CAGE CODE DRAWING NO RESTRICTED TO

A300779 C-2129367

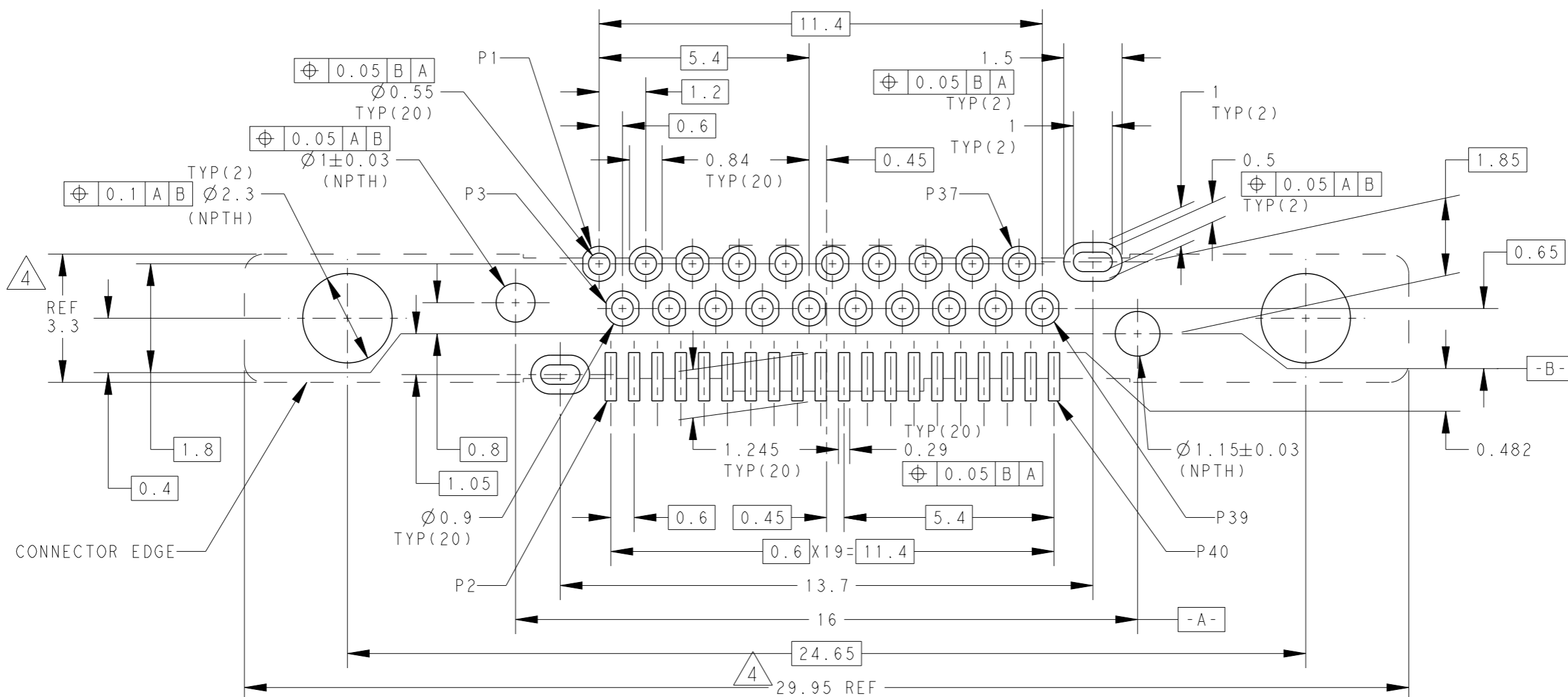
CUSTOMER DRAWING

SCALE 5:1

SHEET 3 OF 5


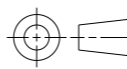
REV A

P	LTR	DESCRIPTION	DATE	DWN	APVD
-	-	SEE SHEET 1	-	-	-



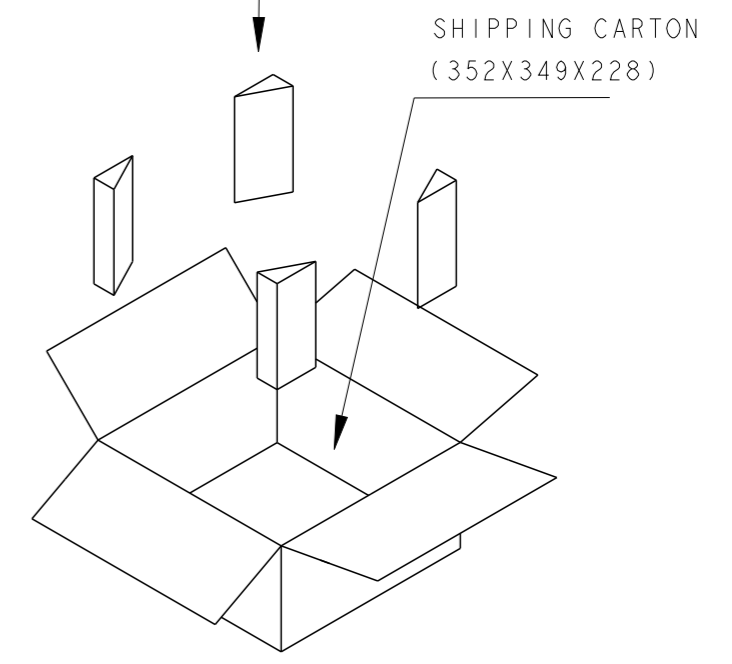
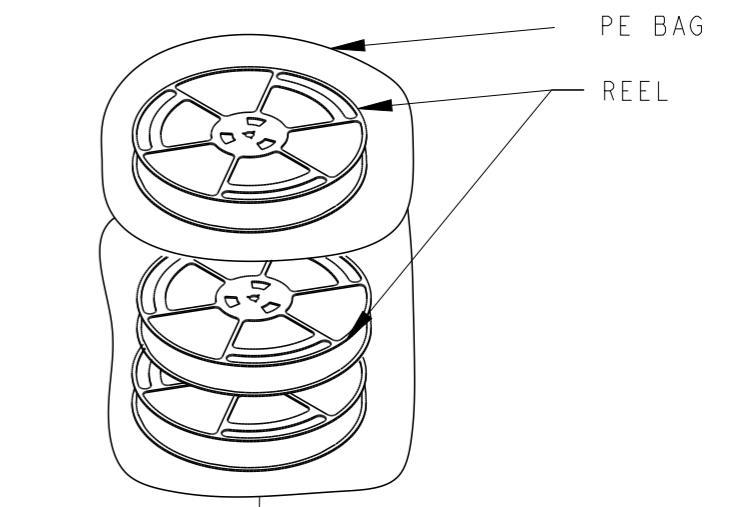
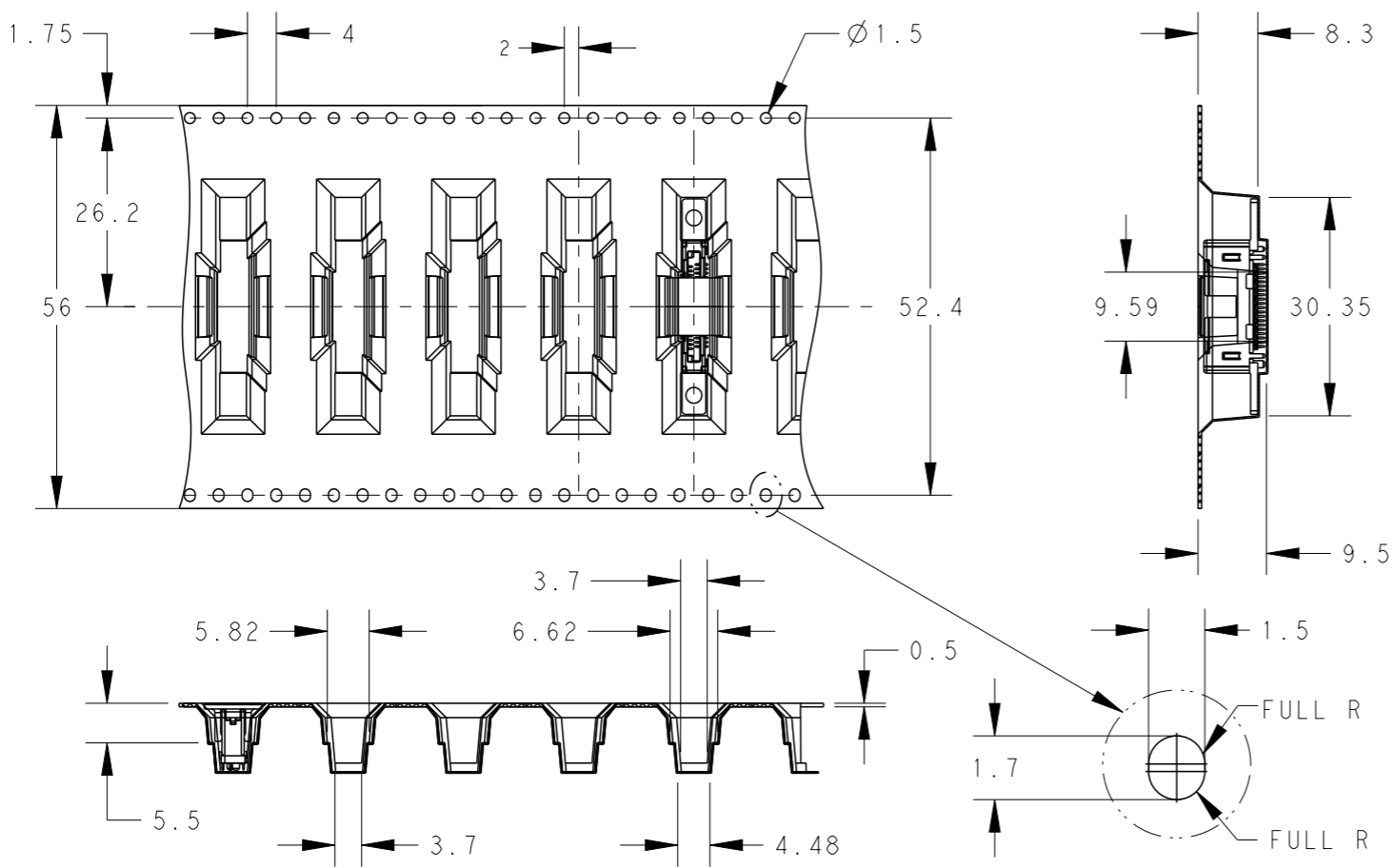
RECOMMENDED P.C. BOARD LAYOUT (TOP VIEW)

△ CONNECTOR OUTLINE

THIS DRAWING IS A CONTROLLED DOCUMENT.		DWN	-	 <b>TE Connectivity</b>
DIMENSIONS: mm		CHK	-	
		APVD	-	
TOLERANCES UNLESS OTHERWISE SPECIFIED:		PRODUCT SPEC	-	
0 PLC ± ±0.05 1 PLC ± ±0.05 2 PLC ± ±3° 3 PLC ± ±3° 4 PLC ± ±3° ANGLES ± ± FINISH -		APPLICATION SPEC	-	NAME
MATERIAL -		WEIGHT	-	PLUG ASSY, 0.6mm PITCH CHAMP DOCKING CONNECTOR, 40POS
		CUSTOMER DRAWING	-	SIZE
		SCALE	8:1	CAGE CODE
		SHEET	4 OF 5	DRAWING NO
		REV	A	A300779 C-2129367
		RESTRICTED TO	-	

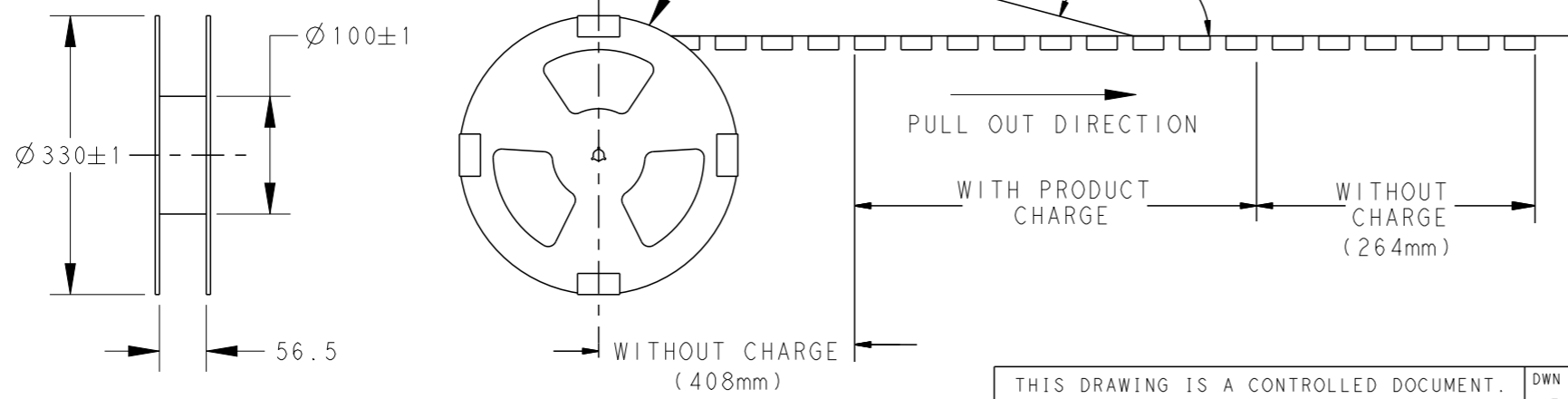
THIS DRAWING IS UNPUBLISHED. RELEASED FOR PUBLICATION 20  
 © COPYRIGHT 20 BY - ALL RIGHTS RESERVED.

LOC	DIST	REVISIONS				
P	LTR	DESCRIPTION	DATE	DWN	APVD	
		SEE SHEET 1	-	-	-	



5. PACKING MATERIAL:  
 CARRY TAPE: PS; COLOR:BLACK.  
 COVER TAPE: PET; COLOR: CLEAR.  
 6. PEELING STRENGTH OF COVER TAPE: 0.2N~1.2N

AROUND THE OUTER PERIPHERY IN A TURN.  
 WEEDING THE COVER TAPE  
 PEELING ANGLE:  $165^{\circ} \sim 180^{\circ}$



400	3	1200
PCS/ TAPE	REELS/ CARTON	TOTAL QUANTITY

THIS DRAWING IS A CONTROLLED DOCUMENT.		DWN	-	 TE Connectivity	NAME PLUG ASSY, 0.6mm PITCH CHAMP DOCKING CONNECTOR, 40POS
DIMENSIONS: mm		CHK	-		
TOLERANCES UNLESS OTHERWISE SPECIFIED:		APVD	-		
0 PLC $\pm$ 1 PLC $\pm$ 2 PLC $\pm 0.5$ 3 PLC $\pm 3^{\circ}$ 4 PLC $\pm$ ANGLES $\pm$ FINISH -		PRODUCT SPEC	-		
MATERIAL	-	APPLICATION SPEC	-	SIZE	A3
		WEIGHT	-	CAGE CODE	00779
		CUSTOMER DRAWING	-	DRAWING NO	C-2129367
		SCALE	FREE	RESTRICTED TO	-
		SHEET	5 OF 5	REV	A