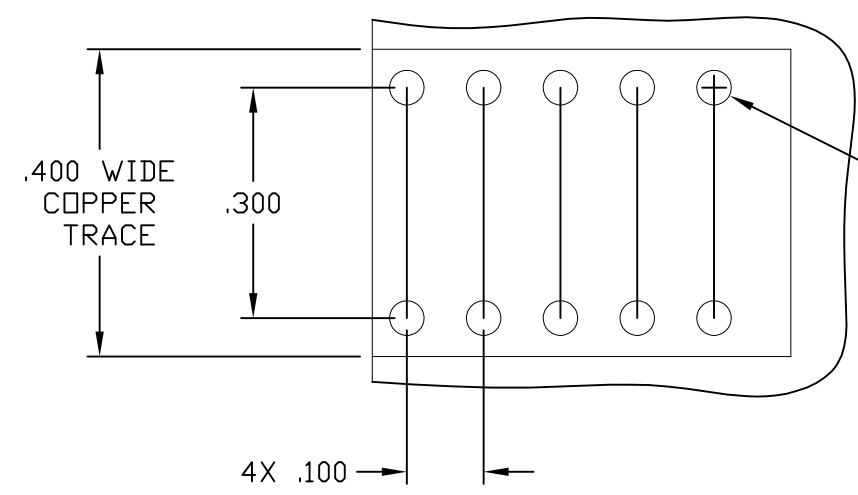
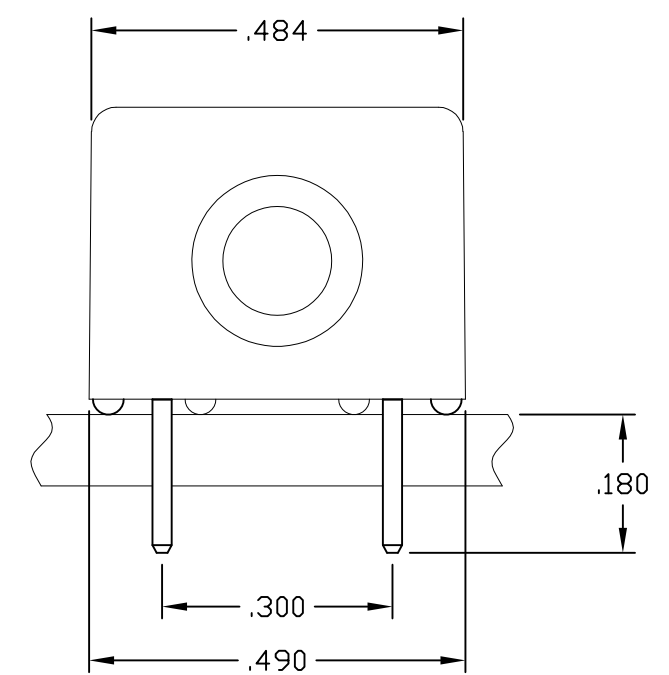
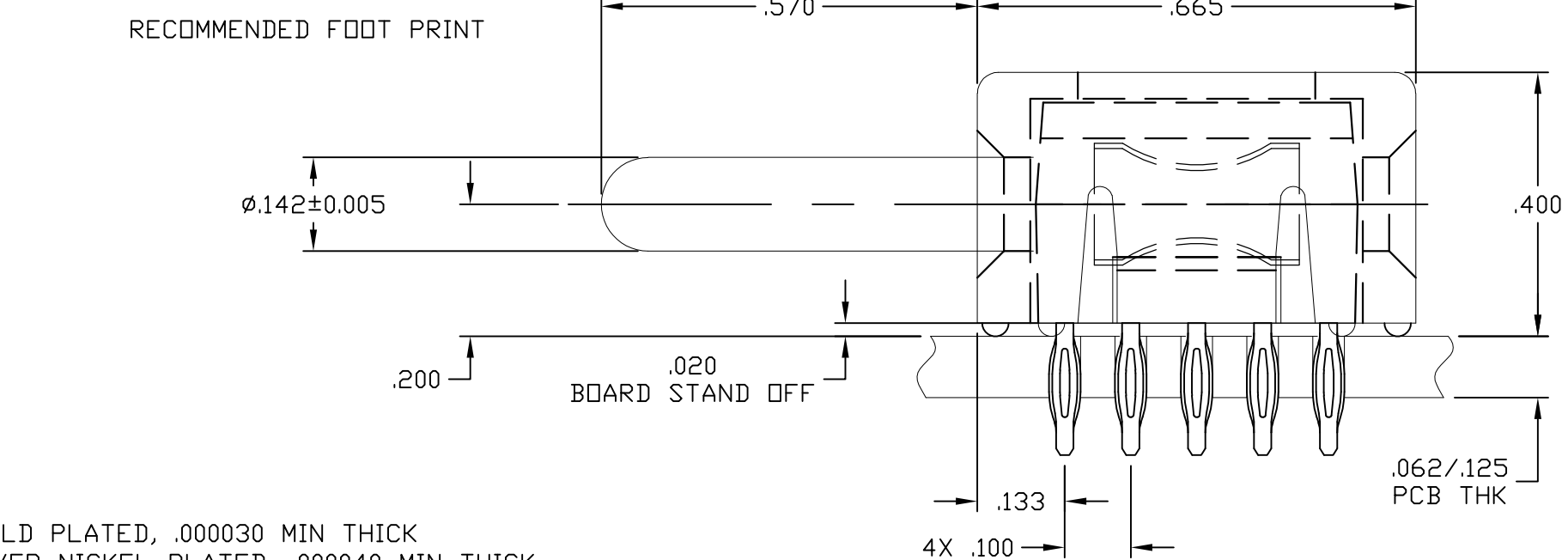


THIS DRAWING IS UNPUBLISHED. RELEASED FOR PUBLICATION  
 © COPYRIGHT - By - ALL RIGHTS RESERVED.

LOC	DIST	REVISIONS					
GP	00	P	LTR	DESCRIPTION	DATE	DWN	APVD
			C	REV PER ECO-11-007678	11JUL2011	RG	DO



RECOMMENDED PRINTED CIRCUIT HOLE  
 COMPLIANT PRESS FIT  
 DRILLED HOLE:  $\phi .0453 \pm .0005$   
 COPPER PLATE: .0010 - .0020 (PER SURFACE)  
 TIN PLATE: .00002 MINIMUM (PER SURFACE)  
 10X



4. FINISHES:
- CROWN: GOLD PLATED, .000030 MIN THICK OVER NICKEL PLATED, .000040 MIN THICK.
  - INSERT: SILVER PLATED, .000200 MIN THICK, OVER NICKEL PLATED, .000040 MIN THICK.
  - COMPLIANT TAIL: SILVER PLATED, .000200 MIN THICK, OVER NICKEL PLATED, .000040 MIN THICK.
  - CONTACT: SILVER PLATED, .000200 MIN THICK, OVER NICKEL PLATED, .000040 MIN THICK.
3. MATERIALS:
- HOUSING: THERMOPLASTIC, GLASS REINFORCED, COLOR-BLACK UL94V-0 FLAMMABILITY RATED
  - CROWN: COPPER ALLOY
  - INSERT: ZINC ALLOY, CASTING
  - CONTACT: BRASS ALLOY
  - COMPLIANT TAIL: PHOSPHOR BRONZE ALLOY

5. FOR APPLICATIONS UTILIZING AN IMMERSION SILVER PLATED PCB. CONSULT TYCO ENGINEERING.

6643442-1  
 PART NUMBER

2. ITEMS PROVIDED TO THIS SPECIFICATION SHALL BE IDENTIFIED ON THE CONTAINER WITH THE FOLLOWING INFORMATION:  
 PART NUMBER & DATE CODE OF MANUFACTURE.
1. PART NUMBER CHANGES AND OR DESIGN CHANGES AFFECTING ITEM INTERCHANGEABILITY REQUIRE PRIOR TE APPROVAL AND AUTHORIZATION BY REVISION TO THIS DRAWING.

THIS DRAWING IS A CONTROLLED DOCUMENT.		DWN	12JAN2011	TE Connectivity			
		HA/GRZYBOWSKI	-				
DIMENSIONS: INCHES		CHK	ORRIS	NAME ICCON, PIN, SIZE No.8, PARALLEL COMPLIANT TAIL, 10 PIN FOOT PRINT NON LOCKING STYLE, .570 PIN EXT			
		APVD	12JAN2011				
TOLERANCES UNLESS OTHERWISE SPECIFIED:		FLICKNGER/ORRIS		PRODUCT SPEC			
0 PLC	± -	-		APPLICATION SPEC			
1 PLC	± -	-		SIZE			
2 PLC	± .02	-		CAGE CODE			
3 PLC	± .010	-		DRAWING NO			
4 PLC	± -	-		RESTRICTED TO			
ANGLES	± .5	-		A3 00779 C-6643442			
MATERIAL	FINISH	-		WEIGHT			
-	-	-		CUSTOMER DRAWING			
				SCALE		SHEET	
				4:1		1 OF 1	
						REV C	