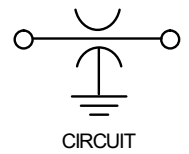
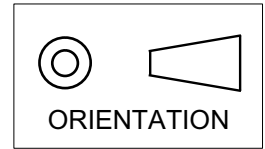
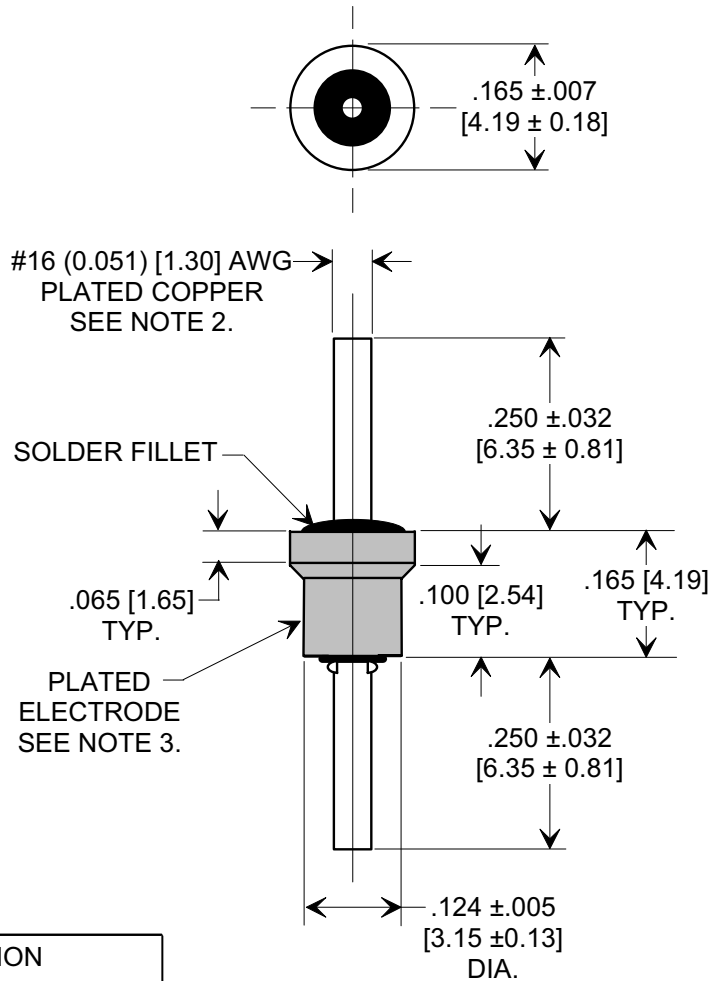


This drawing is the property of Tusonix, Inc., and may not be used, reproduced, published or disclosed to others without expressed authorization by Tusonix Inc.

**MARKETING SALES DRAWING**  
**DIMENSIONS IN INCHES - DO NOT SCALE THIS DRAWING**  
**DIMENSIONS IN METRIC - [ ]**



**Electrical Testing**  
**per Tusonix standard**  
**test plans and Mil-Std-202**  
**Test Methods.**



#16 (0.051) [1.30] AWG  
 PLATED COPPER  
 SEE NOTE 2.

SOLDER FILLET

.065 [1.65]  
 TYP.

PLATED  
 ELECTRODE  
 SEE NOTE 3.

**NOTES:**

1. TUSONIX STANDARD PART NUMBER: 2461-001-X7V0-102P.  
 TUSONIX RoHS COMPLIANT PART NUMBER:  
 2461-001-X7V0-102P LF.  
 CUSTOMER MUST SPECIFY STANDARD OR RoHS PART NUMBER  
 WHEN ORDERING.
2. LEAD FINISH: STANDARD PART #: 60/40 SOLDER PLATED. RoHS  
 PART #: SILVER PLATED.
3. ELECTRODE FINISH: STANDARD PART #: 60/40 SOLDER PLATED.  
 RoHS PART #: MATTE TIN PLATED.
4. PART MARKING: STANDARD PART: NO MARKING. RoHS PART:  
 MARKING ON PACKAGING ONLY.

**OPERATING INFORMATION**

|   |               |
|---|---------------|
| STYLE NO.                                       | 2461-001      |
| VALUE   | 1000 pF       |
| VALUE TOL.                                      | +100% / -0%   |
| TEMP. COEF.                                     | X7V           |
| RATING  | 100VDC@+125°C |
| OPERATING RANGE                                 | -55°C,+125°C  |
| DWV   | 600           |
| I.R. MIN @ 100VDC                               | 10 GΩ         |
| TO TUSONIX SPEC.<br>UNLESS STATED<br>OTHERWISE. |               |

|   |          |                                   |  |   |                           |
|---|----------|-----------------------------------|--|---|---------------------------|
| X-2015 Rev-0<br>REVISION RECORD<br>Original Release<br>C.O. ECO-659 | <b>A</b> | <b>TUSONIX</b><br>TUCSON, ARIZONA | <b>--TOLERANCES--</b><br>Unless Otherwise<br>Specified | Title<br><b>SHOULDER<br/>         FEED-THRU</b> |                           |
|   |          |                                   | DECIMAL ± .015 [38]                                    | Drawn L.E. 04-14-09                             | Scale 4 X                 |
|   |          |                                   | ANGLES ±   | Approved R.L. 04-14-09                          |                           |
|   |          |                                   |  | <b>A</b>  | <b>2461-001-X7V0-102P</b> |