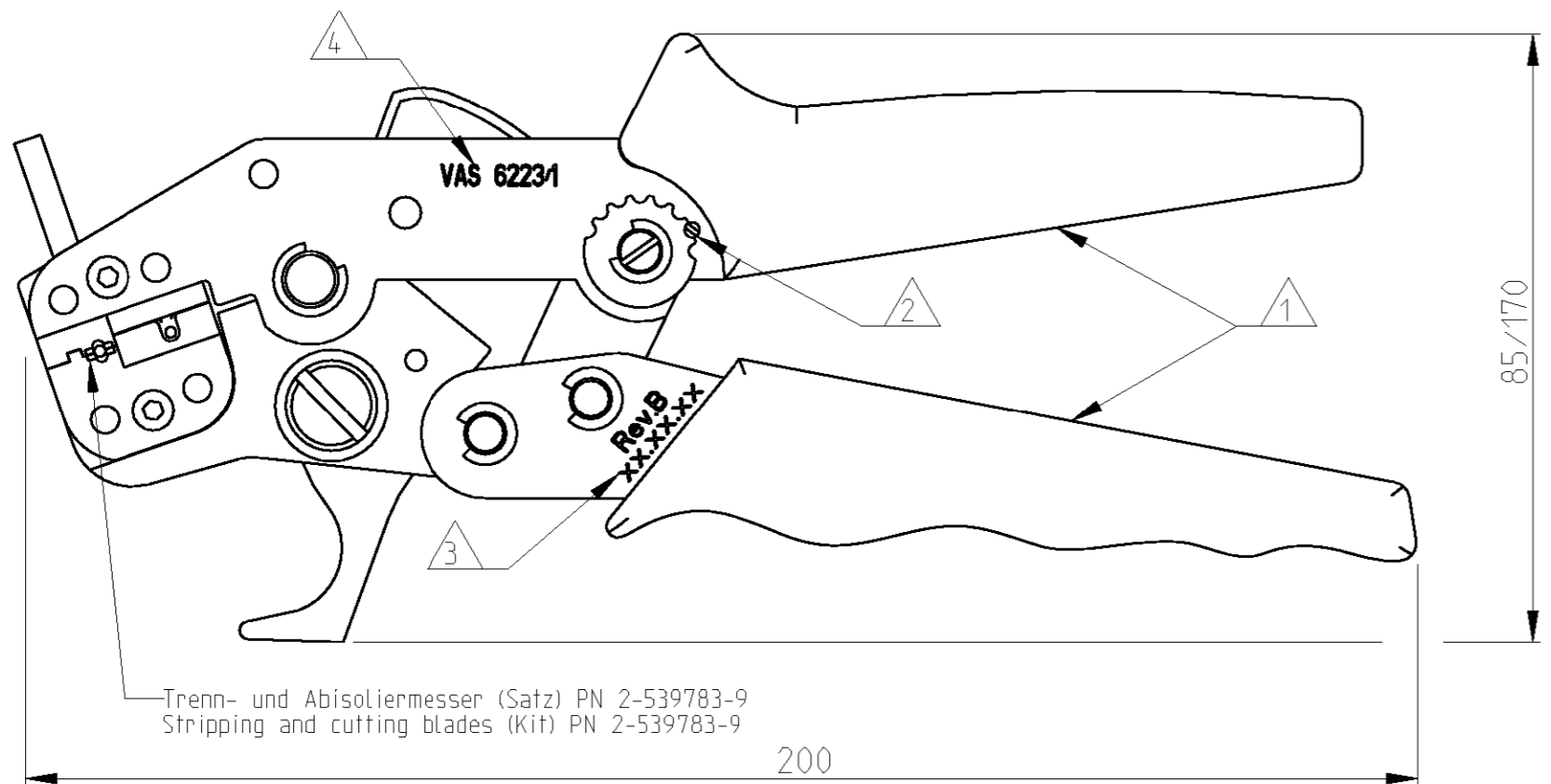
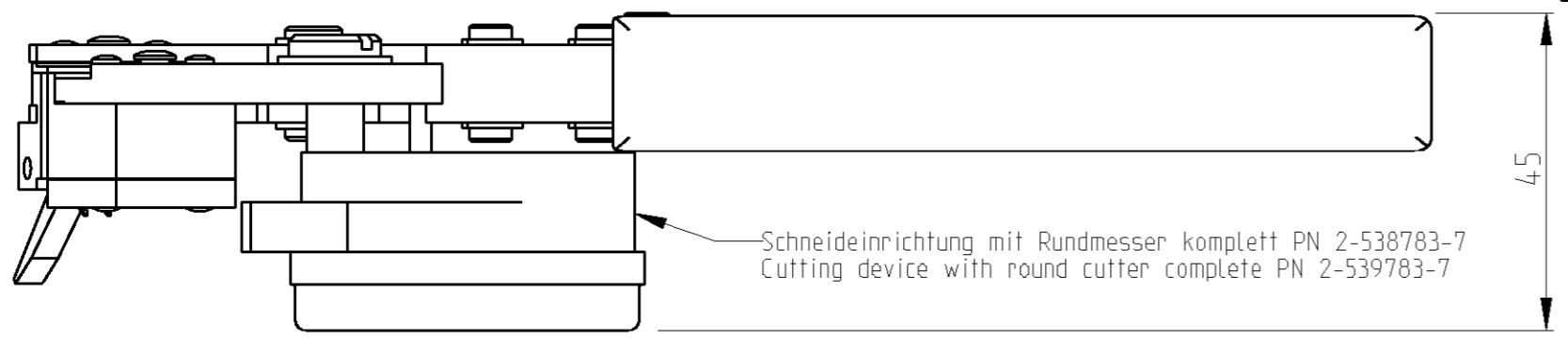


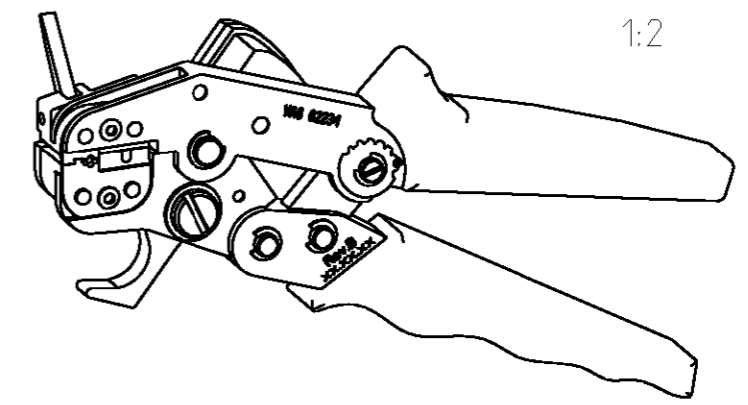
THIS DRAWING IS UNPUBLISHED. RELEASED FOR PUBLICATION 2002
 © COPYRIGHT 2002 BY TYCO ELECTRONICS CORPORATION. ALL RIGHTS RESERVED.

LOC	DIST	REVISIONS					
		P	LTR	DESCRIPTION	DATE	DWN	APVD
A1	-		B	EG00-0306-03	30JAN2003	witt	-



Bedienungsanleitung-Nr. 411-18256
 Instruction sheet No. 411-18256

Für Lichtwellenleiter Ø 2,3 mm nach Spezifikation 108-18673
 For plastic optical fiber cord MOST according to 108-18673



- 1 Grifffarbe blau
Grip colour blue
- 2 Mit Siegellack gesichert
With sealing wax assured
- 3 Produktionsdatum und Revisionsstand
Production data and revision record
- 4 VW/AUDI Sachnummer
VW/AUDI code number Tyco Part Number and revision record
- 5 Handzange mit bedienungsanleitung in Karton verpackt
Hand tool with instruction sheet in a cardboard box packed

ONLY FOR CUSTOMER VW/AUDI

<small>THIS DRAWING IS A CONTROLLED DOCUMENT FOR TYCO ELECTRONICS CORPORATION IT IS SUBJECT TO CHANGE AND THE CONTROLLING ENGINEERING ORGANIZATION SHOULD BE CONTACTED FOR THE LATEST REVISION.</small>		DWN Ch.Witt	30JAN2003		tyco Electronics AMP GmbH D - 64625 Bensheim		
DIMENSIONS: mm 		CHK -	-		NAME HAND TOOL MOST STRIP AND CUT Handzange MOST Schneiden und Abisolieren		
TOLERANCES UNLESS OTHERWISE SPECIFIED: 0 PLC ± 1 PLC ± 2 PLC ± 3 PLC ± 4 PLC ± ANGLES ±°		APVD -	-	RESTRICTED TO			
MATERIAL -		PRODUCT SPEC -	APPLICATION SPEC -	SIZE A3	CAGE CODE 00779	DRAWING NO C=1-1579002-7	
FINISH -		WEIGHT -	CUSTOMER DRAWING		SCALE 1:1	SHEET 1 of 1	REV B