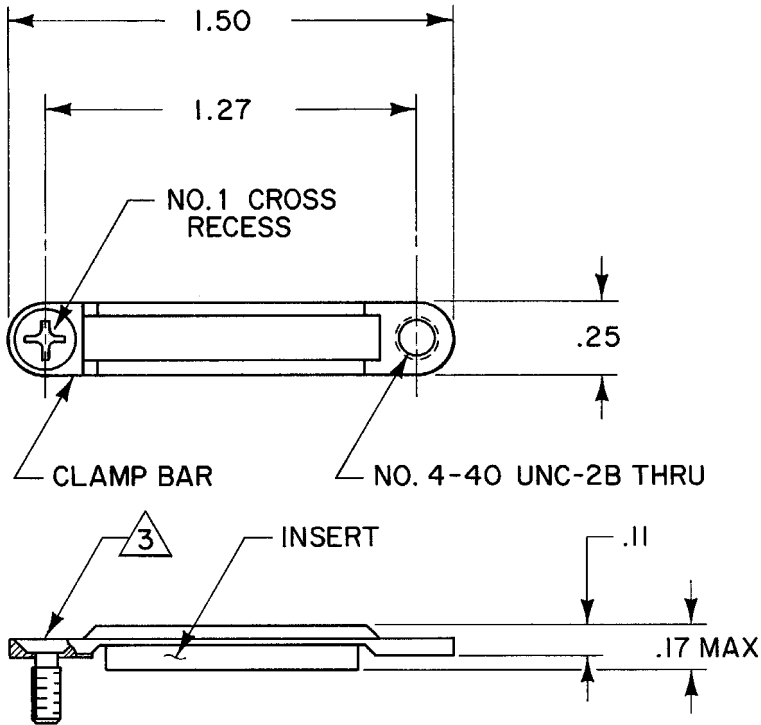


REVISIONS			
LTR	DESCRIPTION	DATE	APPROVED
C	REVISED PER ECN T-013037	99 Sept 28	JB

If this document is printed it becomes uncontrolled.
Check with the web for latest revision.



NOTES:

- PART IS USED ON MTC TYPE PLUG AND RECEPTACLE ASSEMBLIES (TWO REQUIRED PER CONNECTOR ASSEMBLY).
- MATERIALS: CLAMP BAR - STAINLESS STEEL
INSERT - FLUROSILICONE ELASTOMER

PART SUPPLIED WITH ONE CAPTIVATED D-659-0049 FLAT HEAD SCREW.

SPECIFICATION CONTROL DRAWING © Raychem Corporation 1982

WEIGHT:
.0151 LBS
[6.849gr.]
MAX.

DRAWN	JAMAL	4-19-82	Raychem <small>RAYCHEM CORPORATION 300 CONSTITUTION DRIVE MENLO PARK, CALIFORNIA 94025</small>		
CHECKED	<i>[Signature]</i>	5/21/82			
APPROVED	<i>[Signature]</i>	5/28/82	TITLE 1" MTC CABLE CLAMP		
APPROVED	<i>[Signature]</i>	5-28-82			
UNLESS OTHERWISE SPECIFIED DIMENSIONS ARE IN INCHES.			SIZE	CODE IDENT. NO.	DWG. NO.
TOLERANCE - .XX : ±.01			A	06090	D-659-0047
DO NOT SCALE THIS DRAWING			SHEET OF		