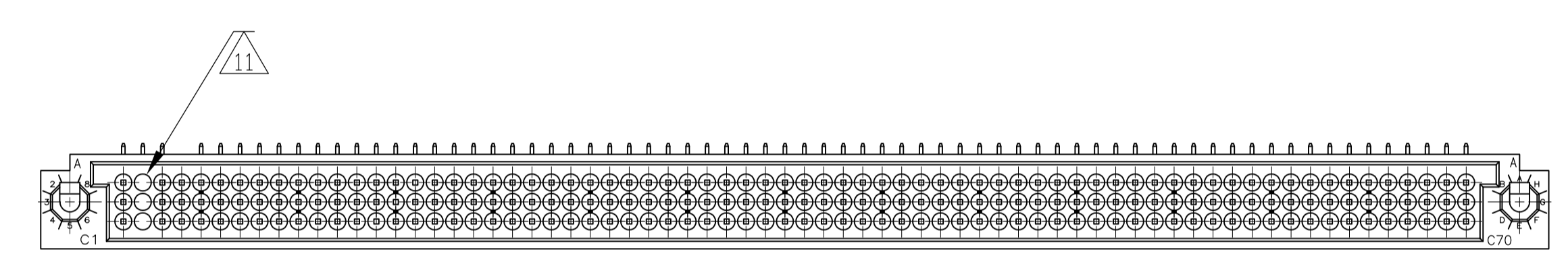
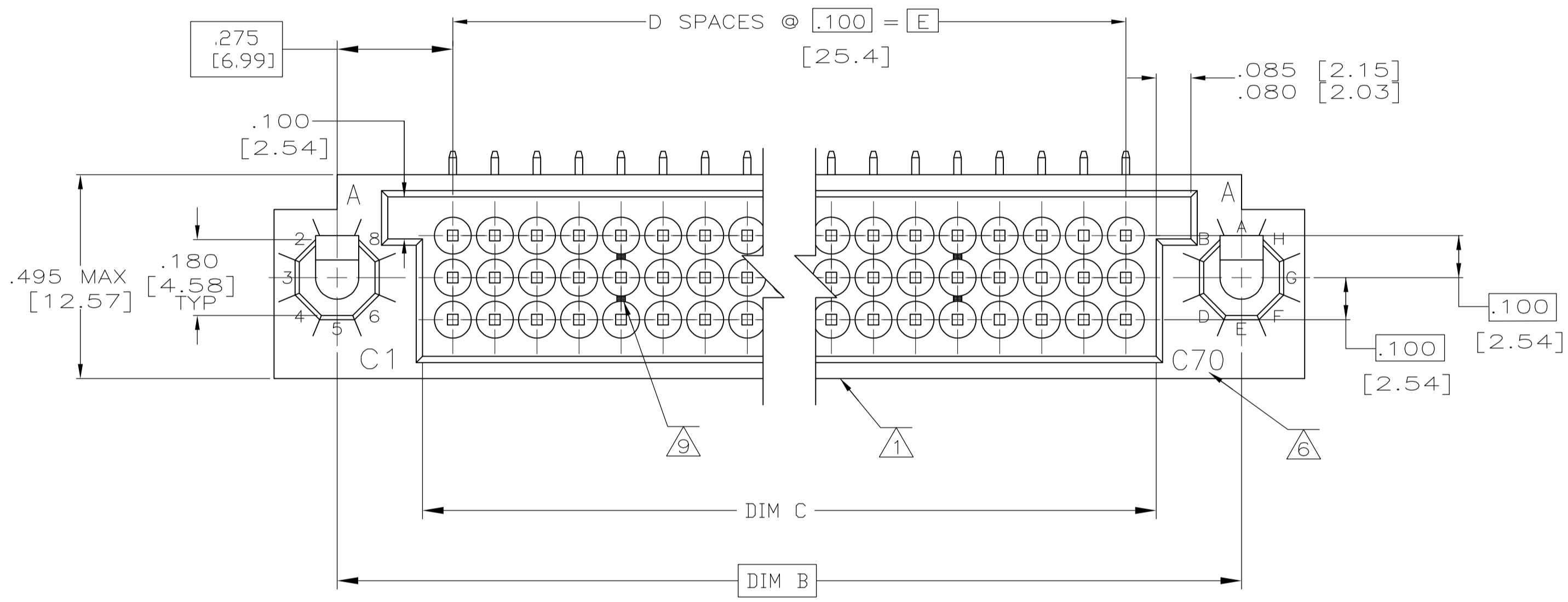
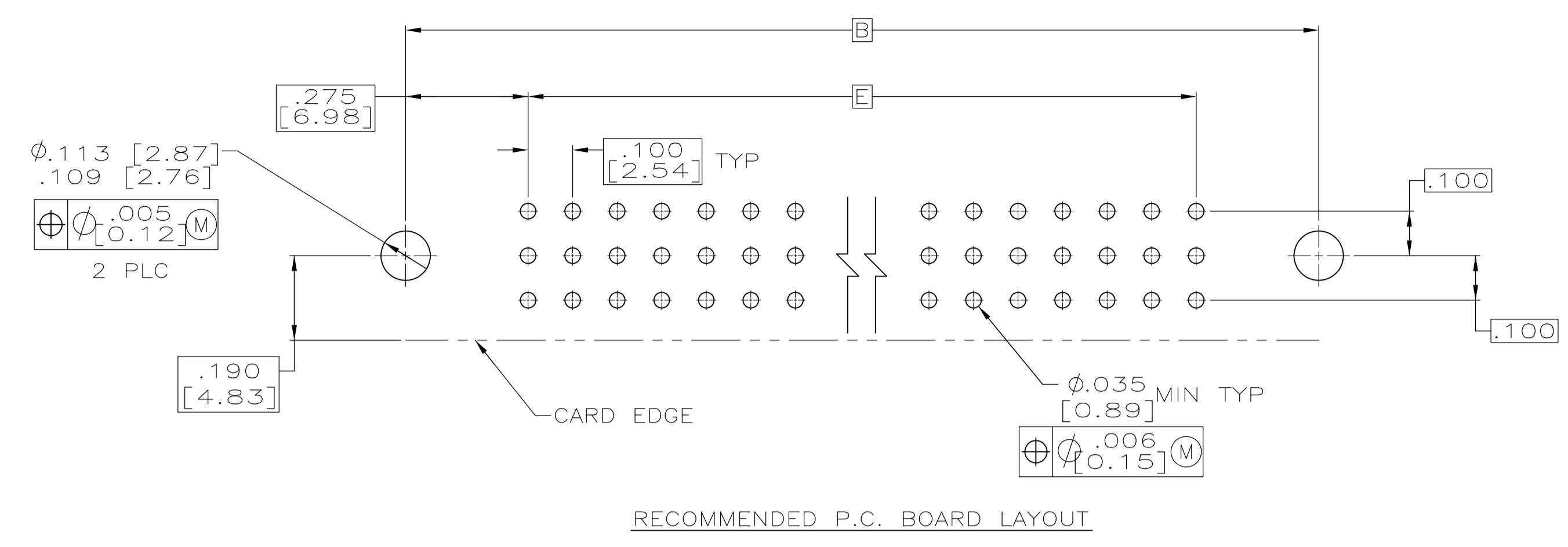
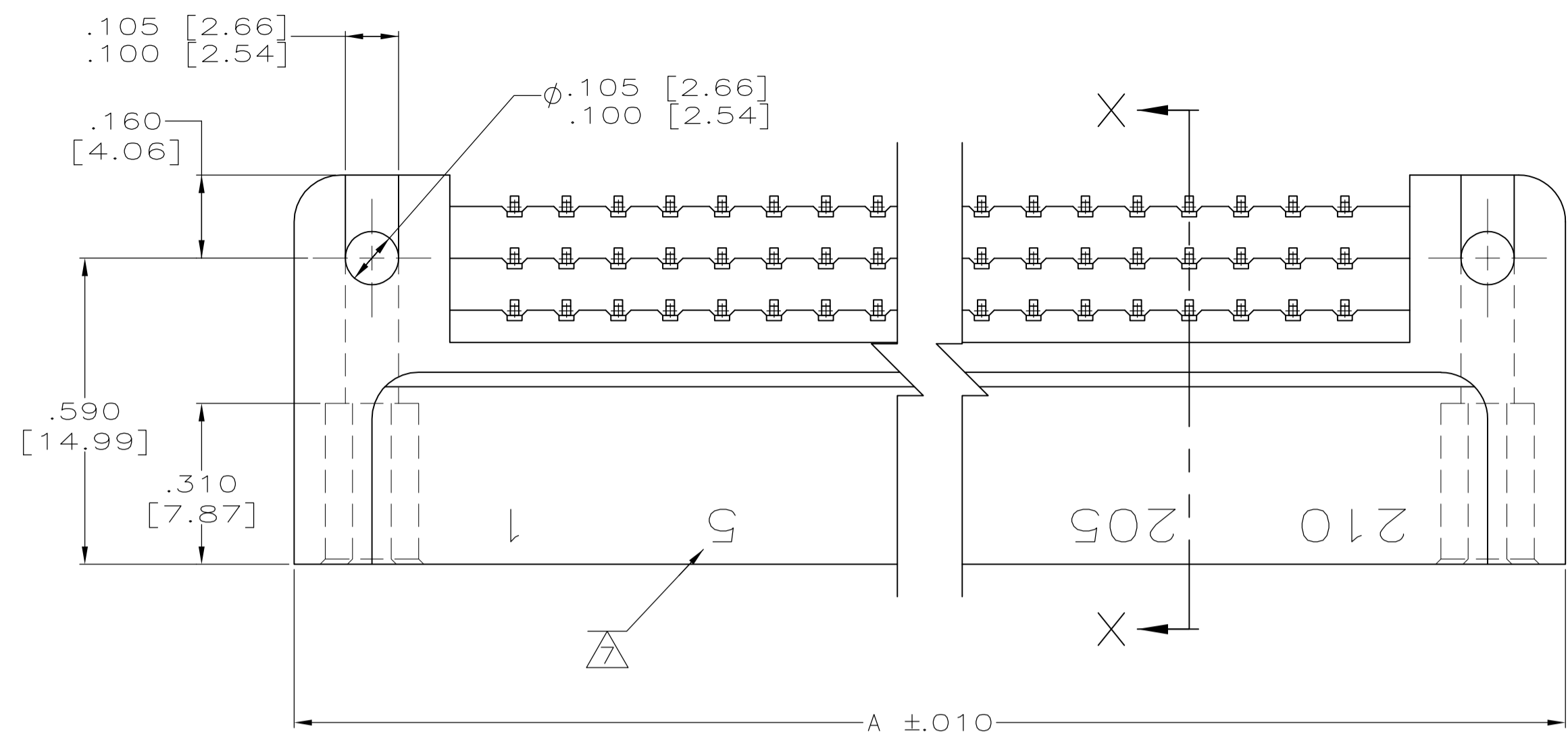
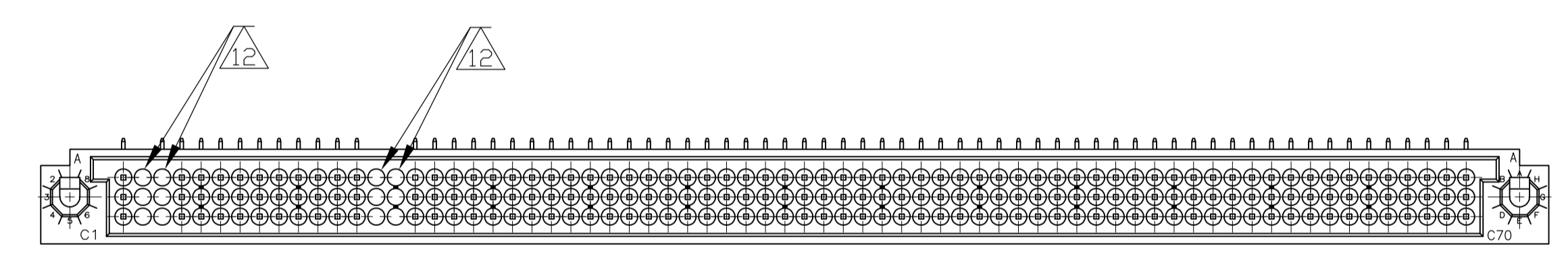


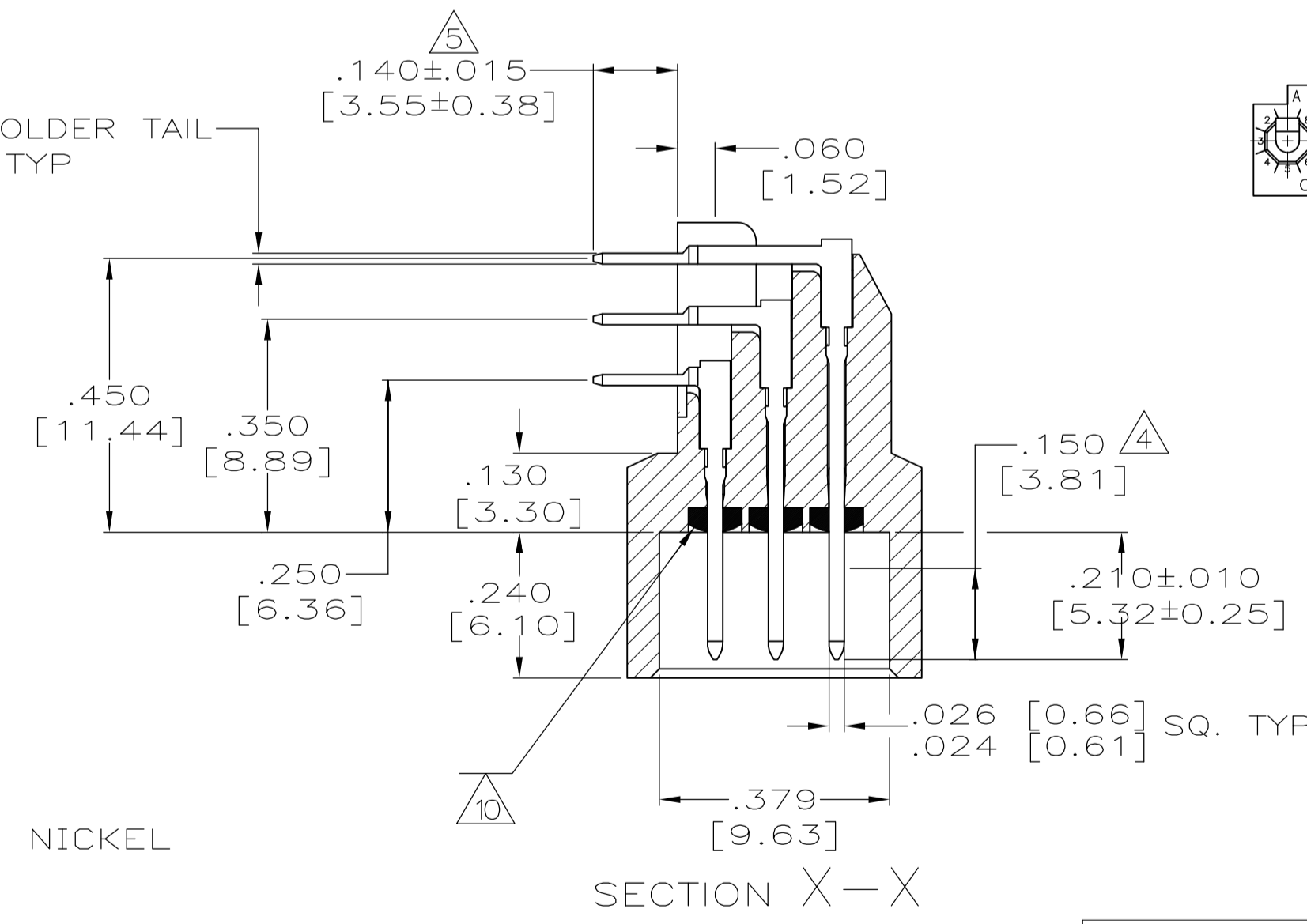
| LOC |             | DIST        |         | REVISIONS |      |  |  |
|-----|-------------|-------------|---------|-----------|------|--|--|
| F   | LTR         | DESCRIPTION | DATE    | DM        | APVD |  |  |
| E   | REV PER ECO | 10-009372   | 6-22-10 | CT        | DM   |  |  |



1996168-1



1996168-2



- △ CUSTOMER CAGE CODE AND PART NO. (PER TABLE), 00779, DATE CODE, TE PART NO. AND AMP MARKED THIS SIDE.
- △ HOUSING MAT'L: POLYPHENYLENE SULFIDE, GST-40F PER MIL-M-24519.
- △ CONTACT MAT'L: BRASS PER QQ-B-626.
- △ CONTACT FINISH: .000050" [0.00127] GOLD OVER .000050" [0.00127] NICKEL IN CONTACT AREA.
- △ CONTACT FINISH: .000100" [0.00254] TIN-LEAD OVER .000050" [0.00127] NICKEL
- △ LETTERS INDICATING OUTSIDE ROWS AND NUMBERS INDICATING END CAVITIES (ROW C ONLY) MARKED THIS SURFACE.
- △ NUMBERS INDICATING EVERY FIVE CAVITIES MARKED, BOTH SIDES.
- 8. MEETS ALL REQUIREMENTS OF MIL-C-55302.
- △ LINES INDICATING EVERY FIVE CAVITIES MARKED ON MATING FACE, EXCEPT END CAVITIES, STARTING AT POSN. #1.
- △ EPOXY SEALANT TO PREVENT WICKING OF FLUXES AND CONFORMAL COATING INTO THE CONTACT ENGAGEMENT AREA.
- △ CONTACT REMOVED FROM POSITION A2, B2 & C2 FOR 1996168-1 ONLY. EMPTY CAVITIES ARE SEALED WITH EPOXY.
- △ CONTACT REMOVED FROM POSITION A2, B2, C2, A3, B3, C3, A14, B14, C14, A15, B15 & C15 FOR 1996168-2 ONLY. EMPTY CAVITIES ARE SEALED WITH EPOXY.

| REMARKS | CUSTOMER P/N     | E              | D  | C              | B              | A              | POSN. | PART NO.  |
|---------|------------------|----------------|----|----------------|----------------|----------------|-------|-----------|
| △12     | 04804-4A48273H02 | 6.900 [175.26] | 69 | 7.044 [178.91] | 7.450 [189.23] | 7.750 [196.85] | 198   | 1996168-2 |
| △11     | 04804-4A48273H01 | 6.900 [175.26] | 69 | 7.044 [178.91] | 7.450 [189.23] | 7.750 [196.85] | 207   | 1996168-1 |

|  |  |  |              |  |  |
|--|--|--|--------------|--|--|
| THIS DRAWING IS A CONTROLLED DOCUMENT.   |  | DIN C.C.THOMAS 2-6-08                  |              | Tyco Electronics Corporation Harrisburg, PA 17105-3608   |  |
| DIMENSIONS: INCHES [mm]  |  | TOLERANCES UNLESS OTHERWISE SPECIFIED: |              | APVD J.WEAVER 2-6-08   |  |
| 0. PLC ± -<br>1. PLC ± -<br>2. PLC ± -<br>3. PLC ± .005 [0.13]<br>4. PLC ± -<br>ANGLES ± - |  | MATERIAL -<br>FINISH -                 |              | NAME PIN HEADER ASS'Y, RIGHT ANGLE, .100 C/L, SELECT LOADED<br>APPLICATION SPEC -<br>SIZE A1<br>CAGE CODE 00779<br>DRAWING NO. 1996168<br>WEIGHT -<br>CUSTOMER DRAWING |  |
| SCALE 4:1  |  |  | SHEET 1 OF 1 |  |  |