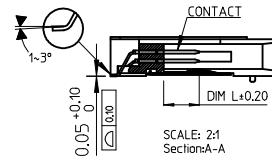
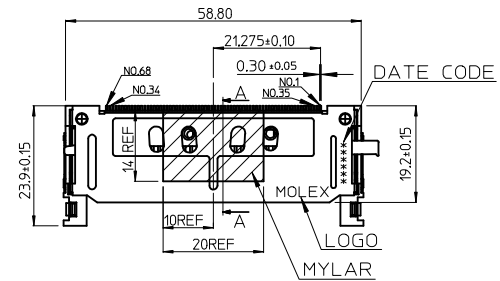
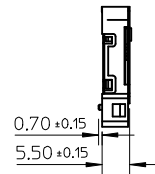
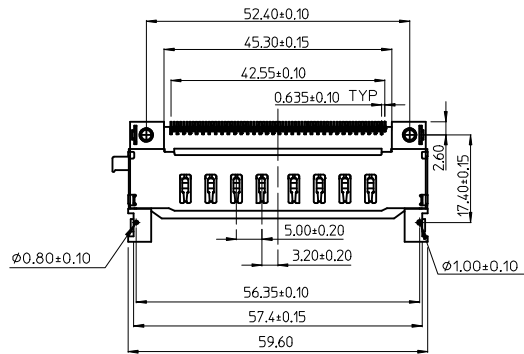
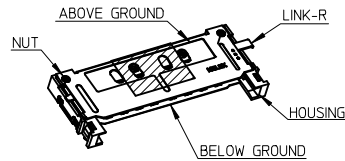
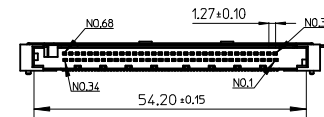


INTERFACE DIM L	PIN NUMBER
3.5MM	36,67
4.25MM	ALL OTHER PINS
5.0MM	1,17,34,35,51,68



SCALE: 2:1
Section A-A



NOTES:

- MATERIAL:
 - HOUSING: LIQUID CRYSTAL POLYMER(LCP); COLOR:BLACK; GLASS AND MINERAL FIBER FILLED; UL94V-0.
 - CONTACT: BRASS.
 - LINK-R: STAINLESS STEEL.
 - ABOVE GROUND: STAINLESS STEEL.
 - NUT: BRASS, M2.
 - BELOW GROUND: COPPER ALLOY.
- PLATING:
 - CONTACT: GOLD PLATING 15 MICROINCH MIN. ON CONTACT AREA; TIN PLATING 100~200 MICROINCH ON SOLDER AREA; NICKEL UNDER PLATE OVERALL.
 - ABOVE GROUND: NICKEL PLATING OVERALL.
 - NUT: NICKEL PLATING OVERALL.
 - BELOW GROUND: GOLD FLASH ON ON GROUND CONTACT AREA; NICKEL UNDER PLATE OVERALL.
- COPLANARITY OF SMT TERMINAL:0.10MM MAXIMUM.
- PACKAGE SPECIFICATION REFER TO PK-48250-001.
- PRODUCT SPECIFICATION REFER TO PS-48250-001.
- TEST SUMMARY REFER TO TS-48250-001.
- DATE CODE: ** ** **

DAY	WEEK	YEAR
-----	------	------
- LEAD FREE & ROHS COMPLIANT PRODUCT.

NEW RELEASE EC NO: SH2006-0790 DRW:RTSAI CHKD: APPR:WMSCHANG 2006/08/09 2006/08/09 2006/08/21	QUALITY SYMBOLS	GENERAL TOLERANCES (UNLESS SPECIFIED)	DIMENSION STYLE	SCALE	DESIGN UNITS	THIRD ANGLE PROJECTION															
	$\nabla=0$ $\nabla C=0$	<table border="1"> <thead> <tr> <th></th> <th>mm</th> <th>INCH</th> </tr> </thead> <tbody> <tr> <td>4 PLACES</td> <td>± ---</td> <td>± ---</td> </tr> <tr> <td>3 PLACES</td> <td>± ---</td> <td>± ---</td> </tr> <tr> <td>2 PLACES</td> <td>± 0.25</td> <td>± ---</td> </tr> <tr> <td>1 PLACE</td> <td>± 0.25</td> <td>± ---</td> </tr> </tbody> </table>		mm	INCH	4 PLACES	± ---	± ---	3 PLACES	± ---	± ---	2 PLACES	± 0.25	± ---	1 PLACE	± 0.25	± ---	MM ONLY	1:1	METRIC	
		mm	INCH																		
	4 PLACES	± ---	± ---																		
3 PLACES	± ---	± ---																			
2 PLACES	± 0.25	± ---																			
1 PLACE	± 0.25	± ---																			
DRAFT WHERE APPLICABLE MUST REMAIN WITHIN DIMENSIONS	<table border="1"> <thead> <tr> <th>DRAWN BY</th> <th>DATE</th> <th>TITLE</th> </tr> </thead> <tbody> <tr> <td>DICK DONG</td> <td>2006/07/12</td> <td rowspan="2">CARDBUS LEFT BOTTOM MOUNT REVERSE HEADER (LEAD-FREE VERSION)</td> </tr> <tr> <td>ROGER TSAI</td> <td>2006/07/12</td> </tr> <tr> <td>APPROVED BY</td> <td>DATE</td> <td></td> </tr> <tr> <td>ALLEN LIN</td> <td>2006/07/12</td> <td></td> </tr> </tbody> </table>	DRAWN BY	DATE	TITLE	DICK DONG	2006/07/12	CARDBUS LEFT BOTTOM MOUNT REVERSE HEADER (LEAD-FREE VERSION)	ROGER TSAI	2006/07/12	APPROVED BY	DATE		ALLEN LIN	2006/07/12		MATERIAL NO. 48250-0002	DOCUMENT NO. SD-48250-002	SHEET NO. 1 OF 1			
DRAWN BY	DATE	TITLE																			
DICK DONG	2006/07/12	CARDBUS LEFT BOTTOM MOUNT REVERSE HEADER (LEAD-FREE VERSION)																			
ROGER TSAI	2006/07/12																				
APPROVED BY	DATE																				
ALLEN LIN	2006/07/12																				
SIZE A3	THIS DRAWING CONTAINS INFORMATION THAT IS PROPRIETARY TO MOLEX INCORPORATED AND SHOULD NOT BE USED WITHOUT WRITTEN PERMISSION																				