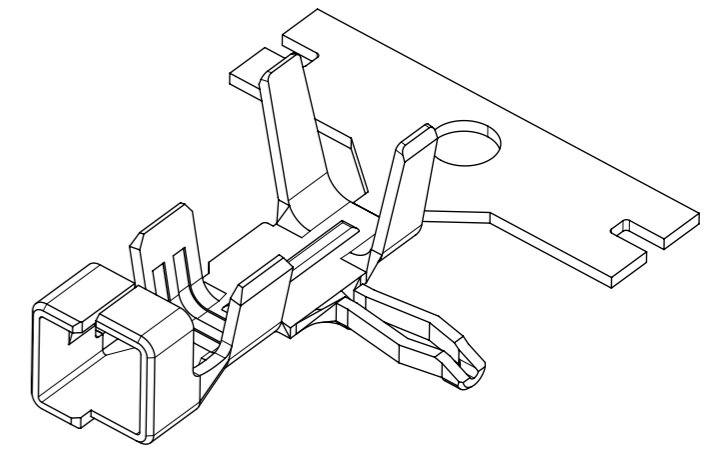
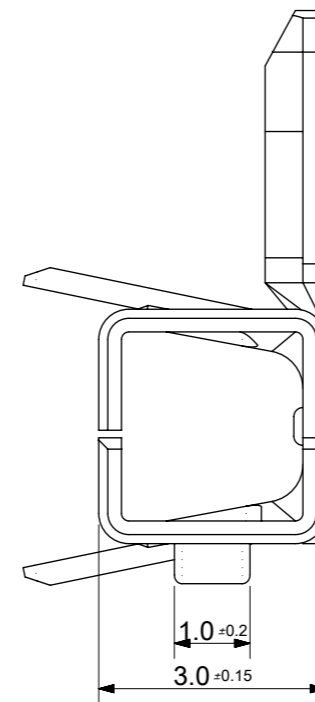
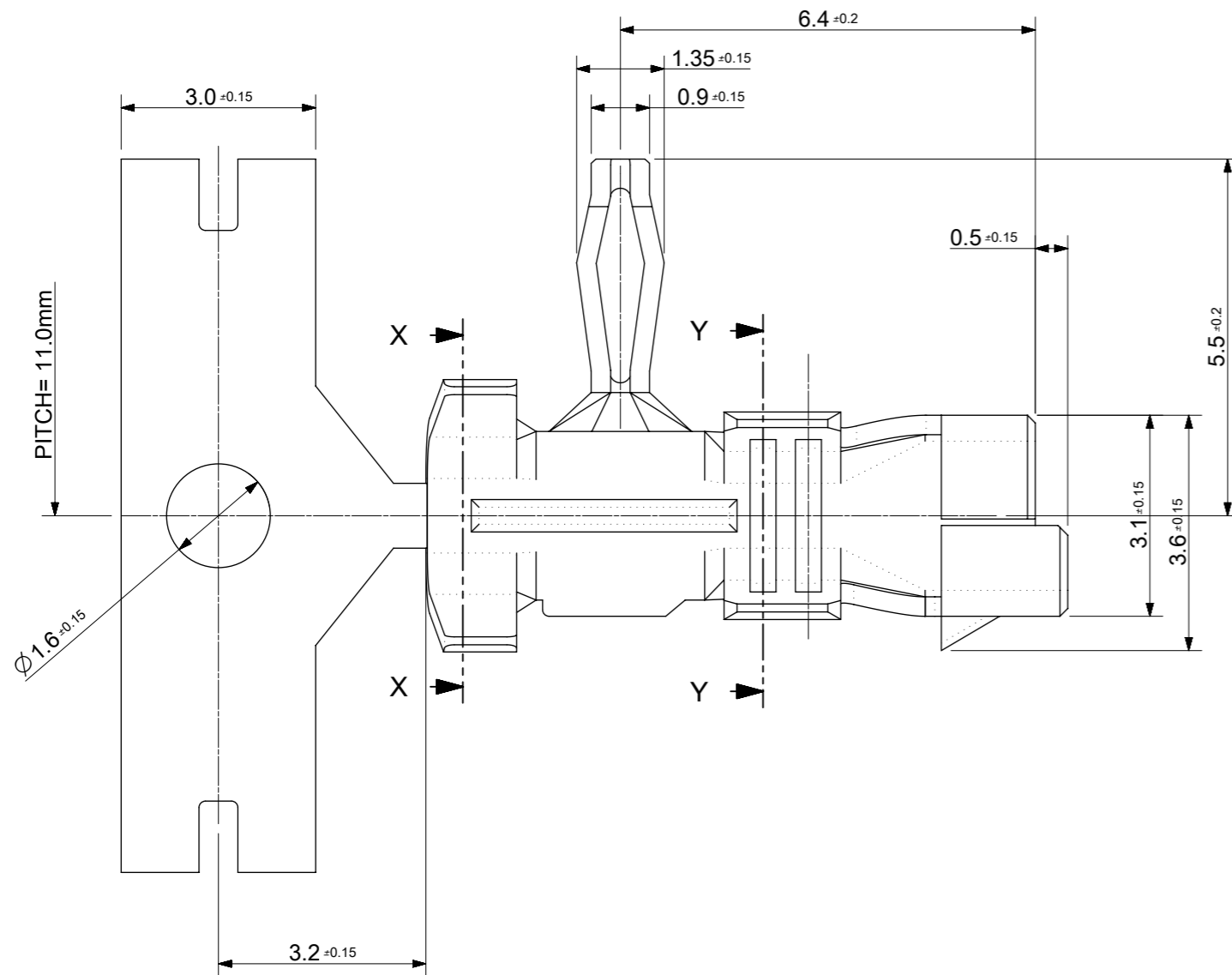


SECTION X-X

SECTION Y-Y



NOTES

1. APPLICABLE HOUSING : 201231-0700
2. MATERIAL : PHOSPHOR BRONZE, 0.3mm THICKNESS
3. FINISH :
POST-PLATED
PURE-TIN PLATING ON OVERALL. THICKNESS 2.0µm MIN
UNDER PLATING Ni OVERALL. THICKNESS 1.25µm~3.75µm
4. APPLICABLE WIRE RANGE: 1.0sq.mm ~ 1.5sq.mm
(INSULATION DIA MAX. 2.4mm DIA MAX.)
5. BURR IS 0.10mm MAX.
6. CARRIER CUT-OFF BURR : 0.10mm MAX.

SYMBOLS	THIS DRAWING CONTAINS INFORMATION THAT IS PROPRIETARY TO MOLEX ELECTRONIC TECHNOLOGIES, LLC AND SHOULD NOT BE USED WITHOUT WRITTEN PERMISSION		CURRENT REV DESC:			molex		
	DIMENSION UNITS	SCALE						
▽ = 0	mm	10:1	2012318003	PSD	000	A2	HYBRID BOARD IN CONN. POWER TERMINAL	
▽ = 0	GENERAL TOLERANCES (UNLESS SPECIFIED)		PRODUCT CUSTOMER DRAWING			EC NO: 606063		
▽ = 0	ANGULAR TOL ± °		INITIAL REVISION:			DRWN: JSSHIN 2018/10/11		
▽ = 0	4 PLACES ±		DRWN: SCHONG03 2017/01/18			CHK'D: SHCHU 2018/10/30		
▽ = 0	3 PLACES ±		APPR: YSKIM02 2018/10/30			APPR: YSKIM02 2018/10/30		
▽ = 0	2 PLACES ±		MATERIAL NUMBER			CUSTOMER		
▽ = 0	1 PLACE ±		2012318003			GENERAL		
▽ = 0	0 PLACES ±		SERIES			SHEET NUMBER		
■ = 0	DRAFT WHERE APPLICABLE MUST REMAIN WITHIN DIMENSIONS		A3-SIZE		201231		1 OF 1	

DOCUMENT STATUS	RELEASE DATE
-----------------	--------------