

**TABLE 1**

MOLEX P/N	ENG. NO.	CABLE LENGTH (mm)	LED
1202470016	BEB803P-FBW-05	5000	YES
1202470017	BEB803P-FBW-10	10000	YES
1202470018	BEB803P-FBW-15	15000	YES
1202470019	BEB803P-FBW-20	20000	YES
1202470052	BEB8030-FBW-05	5000	NO
1202470053	BEB8030-FBW-10	10000	NO
1202470054	BEB8030-FBW-15	15000	NO

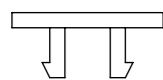
**TABLE 2**

ITEM	COMPONENT	MATERIAL	FINISH
1	INSERT	POLYESTER	BLACK
2	CONTACT SOCKET	COPPER ALLOY	GOLD OVER NICKEL
3	O-RING	VITON	RED
4	RECEPTACLE SHELL	BRASS	NICKEL PLATED
5	HOUSING	PBT	BLACK
6	CABLE	TPU	BLACK
7	LABEL	ABS	WHITE
8	LABEL ADHESIVE	PE	WHITE
9	CABLE PLATE	PBT	BLACK
10	LED	NO LED = PA	BLACK
		WITH LED = PA	TRANSPARENT
11	RESIN	EPOXY	TRANSPARENT

SCALE 2:1

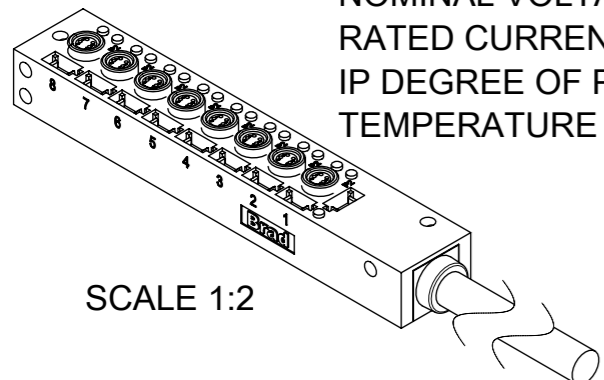


LABEL  
9x packed in a bag.

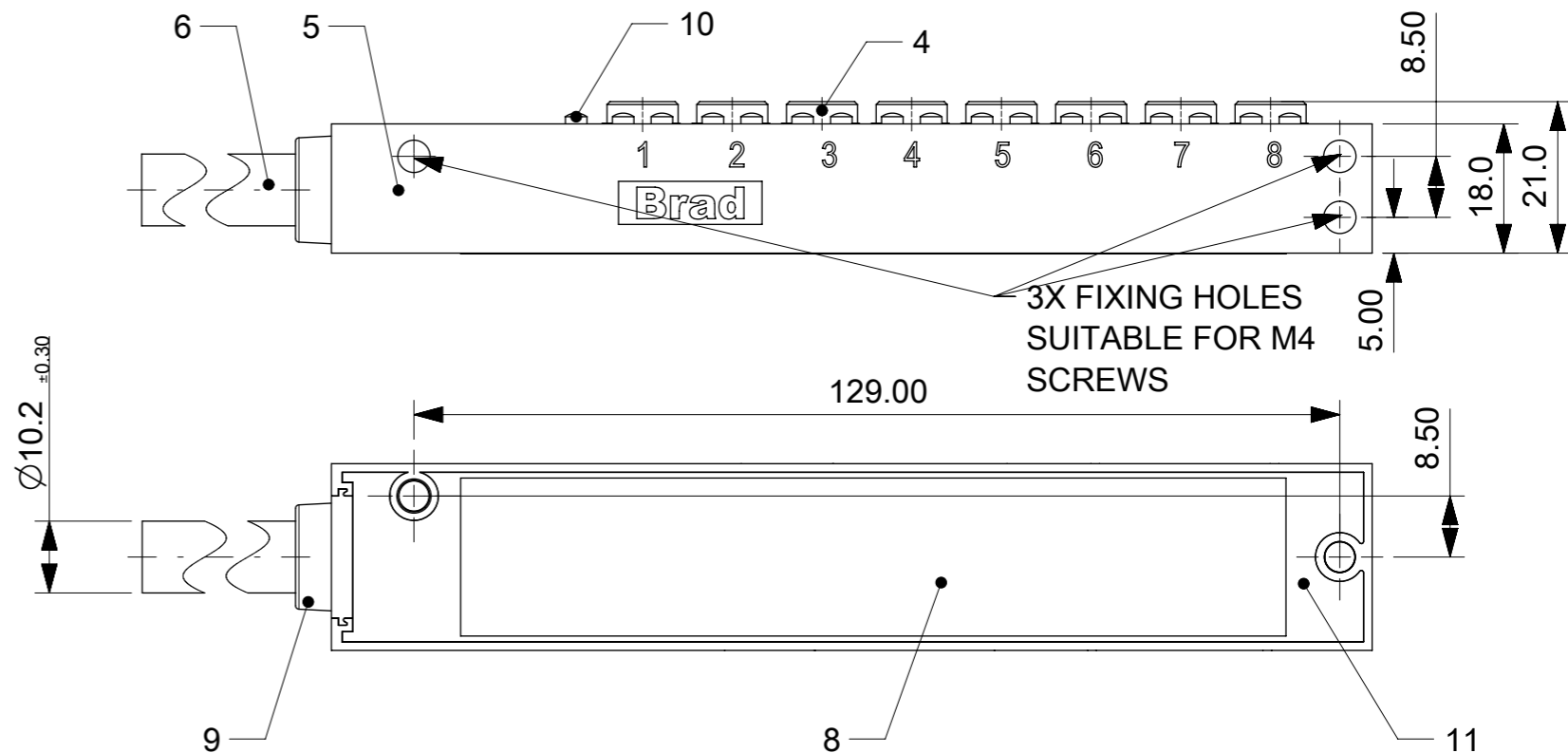
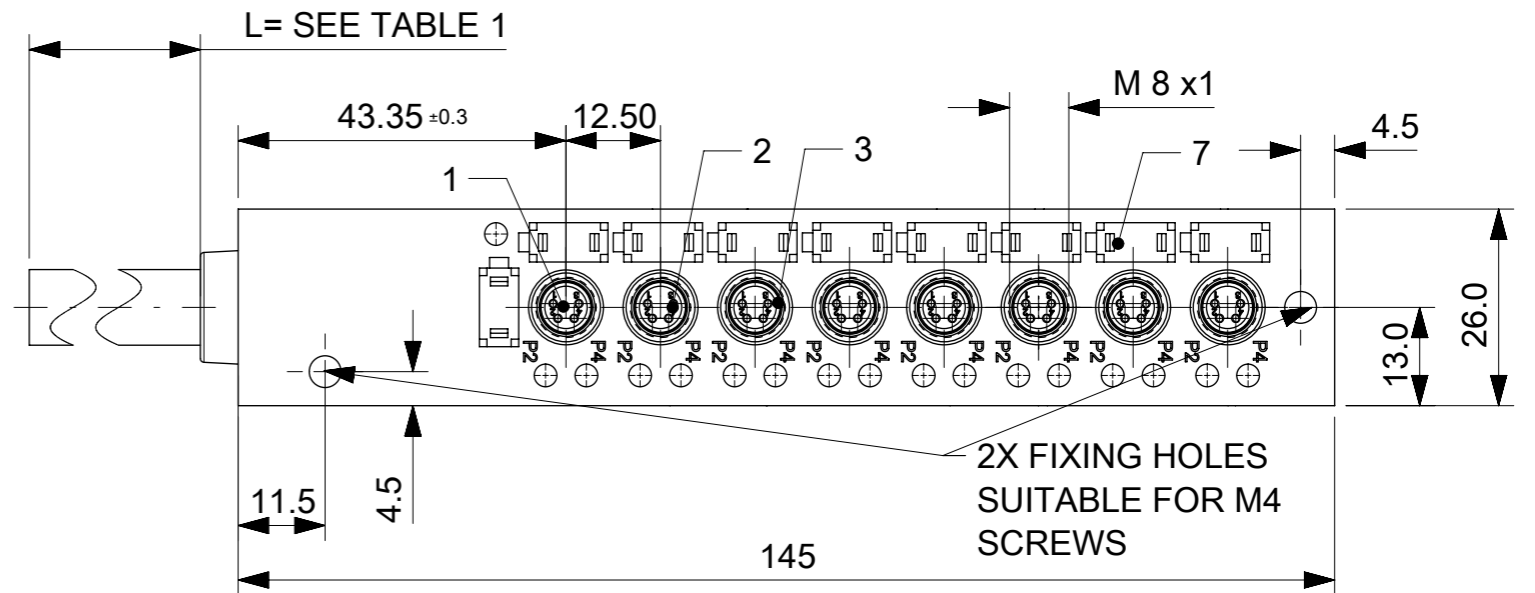


**GENERAL CHARACTERISTICS:**

NOMINAL VOLTAGE: 24 V DC  
 RATED CURRENT: 2 A PER PORT / 6 A MAX: TOTAL  
 IP DEGREE OF PROTECTION: IP 68  
 TEMPERATURE RANGE: -25°C to + 85°C



SCALE 1:2



**CABLE LENGTH TOLERANCES**

LENGTH	TOLERANCE
0m-1m	+40 mm
>1m-5m	+60 mm
>5m-10m	+80 mm
>10m-20m	+140 mm
>20m-30m	+160 mm
>30m	+1% length

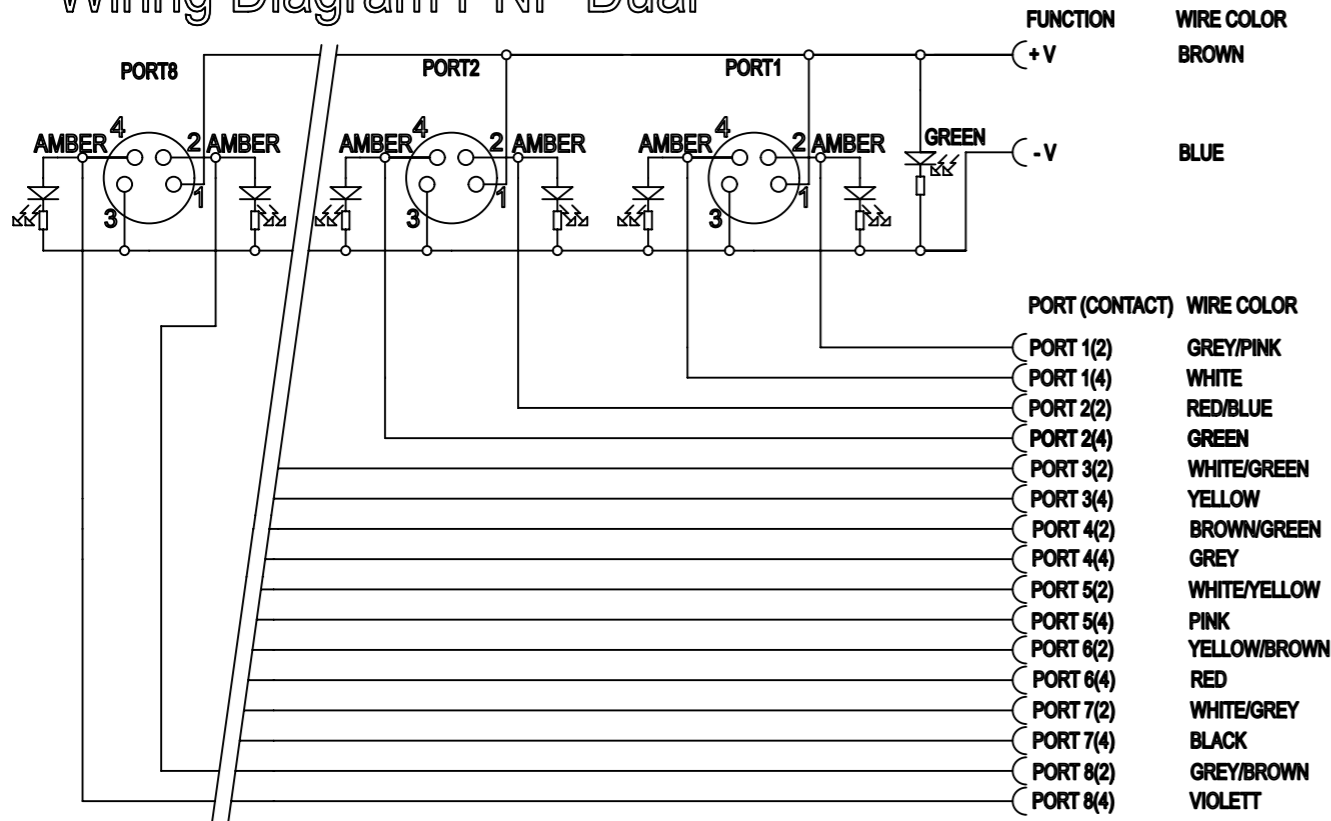
FUNCTIONAL SYMBOLS ∇/A = 0 ∇/E = 0 ∇/V = 0	THIS DRAWING CONTAINS INFORMATION THAT IS PROPRIETARY TO MOLEX ELECTRONIC TECHNOLOGIES, LLC AND SHOULD NOT BE USED WITHOUT WRITTEN PERMISSION	
	DIMENSION UNITS <b>mm</b>	SCALE <b>1:1</b>
DIVISIONAL SYMBOLS	CURRENT REV DESC: ADDED CABLE TOLERANCE TABLE	
	GENERAL TOLERANCES (UNLESS SPECIFIED)	
DRAFT WHERE APPLICABLE MUST REMAIN WITHIN DIMENSIONS	ANGULAR TOL ± °	EC NO: 699789
	4 PLACES ±	DRWN: MDHARMANTI 2022/03/11
	3 PLACES ±	CHK'D: RSILLER 2022/03/17
	2 PLACES ± 0.2	APPR: RSILLER 2022/03/17
1 PLACE ± 0.3	INITIAL REVISION:	DOCUMENT NUMBER
0 PLACES ± 0.5	DRWN: ULETTENMEIER 2015/01/20	1202470016
	APPR: RSILLER 2015/04/22	DOC TYPE
	THIRD ANGLE PROJECTION	PSD
	DRAWING	000
	SERIES	B1
	MATERIAL NUMBER	SEE TABLE 1
	CUSTOMER	GENERAL MARKET
	SHEET NUMBER	1 OF 2



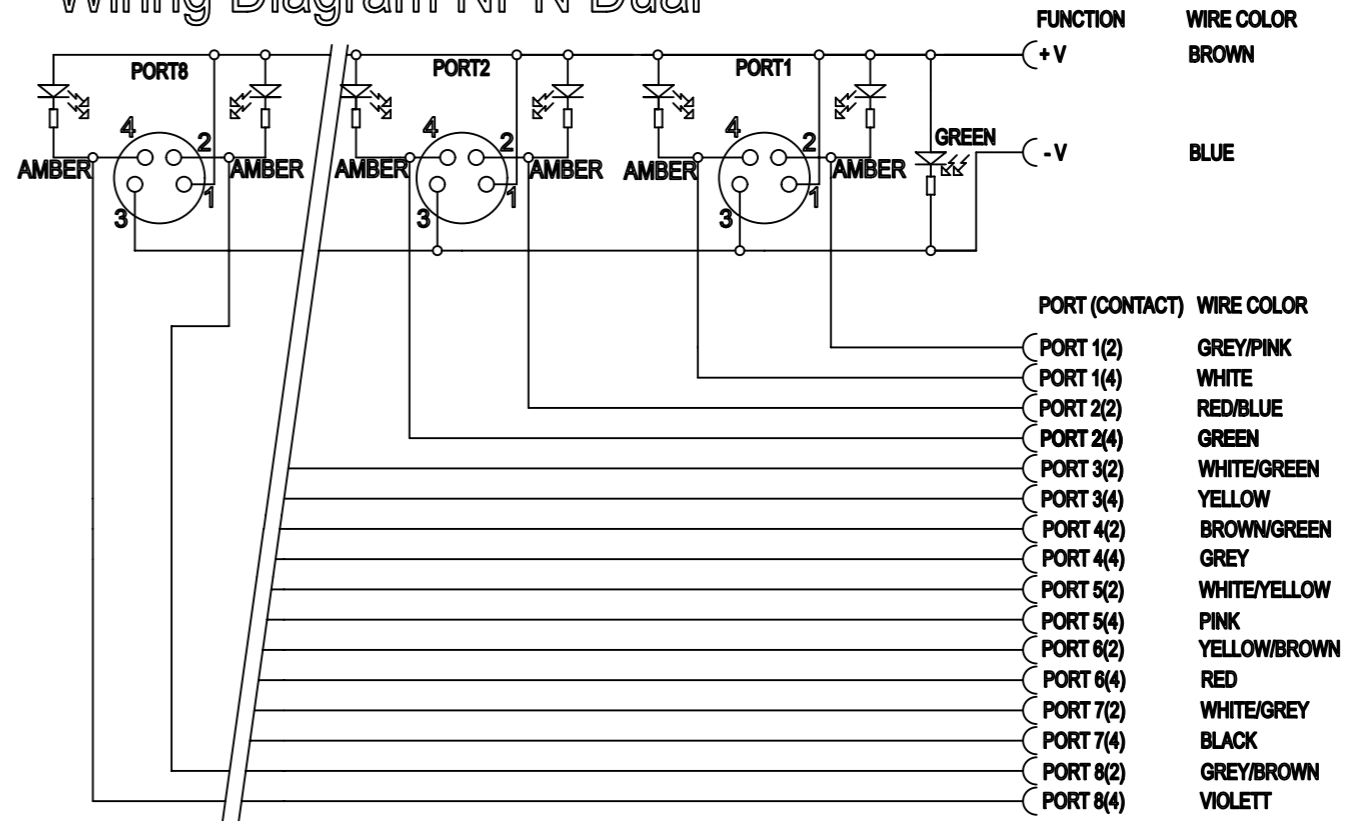
MPIS M8 PNP NPN NOS 4P 8PT BK XM DUAL

PRODUCT CUSTOMER DRAWING

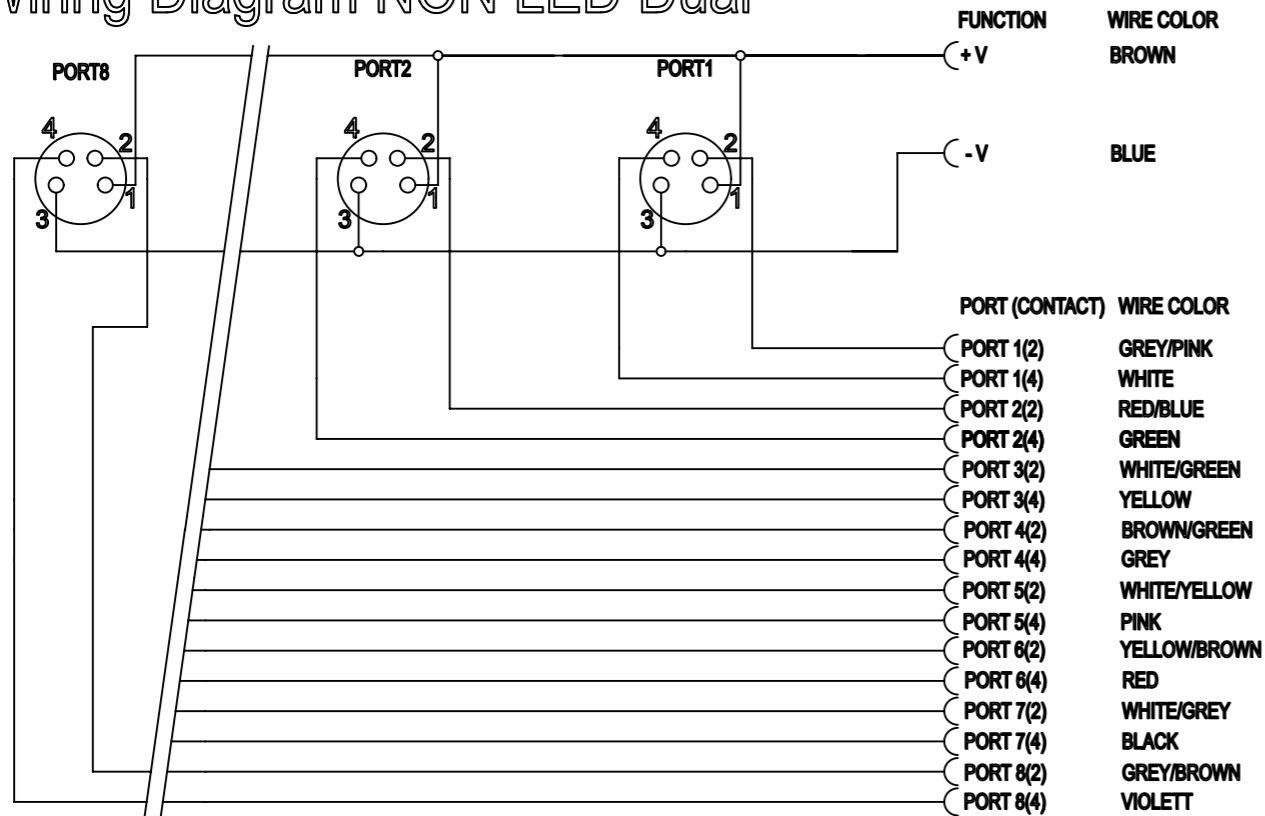
# Wiring Diagram PNP Dual



# Wiring Diagram NPN Dual



# Wiring Diagram NON LED Dual



FUNCTIONAL SYMBOLS	THIS DRAWING CONTAINS INFORMATION THAT IS PROPRIETARY TO MOLEX ELECTRONIC TECHNOLOGIES, LLC AND SHOULD NOT BE USED WITHOUT WRITTEN PERMISSION				
	$\nabla_A = 0$ $\nabla_E = 0$ $\nabla_V = 0$	DIMENSION UNITS: <b>mm</b> SCALE: <b>1:1</b>			
DIVISIONAL SYMBOLS	GENERAL TOLERANCES (UNLESS SPECIFIED)		MPIS M8 PNP NPN NOS 4P 8PT BK XM DUAL		
	ANGULAR TOL ± °		PRODUCT CUSTOMER DRAWING		
	4 PLACES ±		DOCUMENT NUMBER: 1202470016		
	3 PLACES ±		DOC TYPE: PSD		
2 PLACES ± 0.2		DOC PART: 000			
1 PLACE ± 0.3		REVISION: B1			
0 PLACES ± 0.5		SERIES: 120247			
DRAFT WHERE APPLICABLE MUST REMAIN WITHIN DIMENSIONS		THIRD ANGLE PROJECTION	DRAWING: A3-SIZE	SERIES: 120247	MATERIAL NUMBER: SEE TABLE 1
			CUSTOMER: GENERAL MARKET	SHEET NUMBER: 2 OF 2	