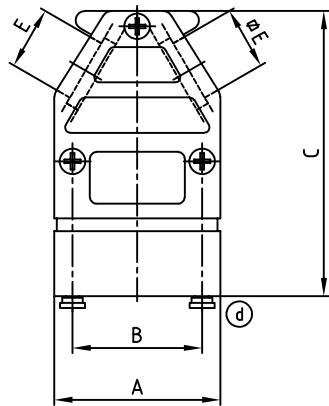
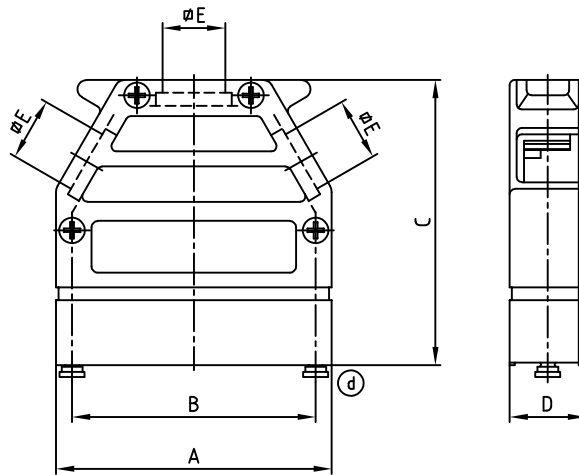


used for: D-SUB

9pos.



15-50pos.



(b)

| No. of pos. | A | B | C | D | ØE | Part-No. |
|-------------|------|-------|------|------|------|------------|
| 9 | 32.0 | 25.00 | 55.0 | 14.8 | 12.1 | 165X11159X |
| 15 | 39.3 | 33.30 | 55.0 | 14.8 | 12.1 | 165X10869X |
| 25 | 53.2 | 47.04 | 55.0 | 14.8 | 12.1 | 165X10879X |
| 37 | 69.5 | 63.50 | 55.0 | 14.8 | 12.1 | 165X10889X |
| 50 | 67.0 | 61.10 | 55.0 | 17.8 | 14.6 | 165X10899X |

- (c) Delivery includes:
 Hood with cover
 Blanking plug:
 - 9pos.: with 1 blanking plug
 - 15-50pos.: with 2 blanking plugs
 Screws for fixing:
 - 9pos.: with 3 screws
 - 15-50pos.: with 4 screws
 1 earth screw
 (d) 2 mounting screws for connector

RoHS compliant

THIS DRAWING MAY NOT BE COPIED OR REPRODUCED IN ANY WAY, AND MAY NOT BE PASSED ON TO A THIRD PARTY, WITHOUT WRITTEN PERMISSION. OWNERSHIP AND COPYRIGHT OF CONEC GMBH DO NOT ALTER CAD DRAWING BY HAND

| rev. | description | date | name | tolerance | dim. in mm |
|-------|-------------|----------|-------------|-----------|---------------------|
| 3 x d | Ä20-0033 | 10.02.20 | Lehm. norm | 2005 | date |
| 1 x c | Ä4037 | 19.07.11 | Lehm. d-old | drawn | 18.10. Lehmenkühler |
| 1 x b | Ä3264 | 29.01.09 | Sonne | appd. | 19.10. Mickenbecker |
| a | Original | | | | |

| | |
|-----------|---|
| scale: | 1:1 |
| material: | HOOD WITH COVER: DIE-CAST ZINC |
| title: | METAL HOOD EMI/RFI SHIELDING 9-50pos. |
| dwg no: | 16K1A1526 |
| part no: | SEE TABLE |
| DIN-A | 3 |
| sh: | 1/1 |

