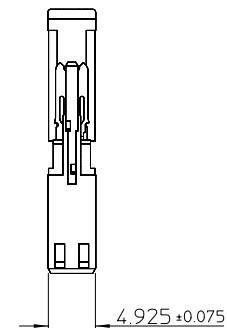
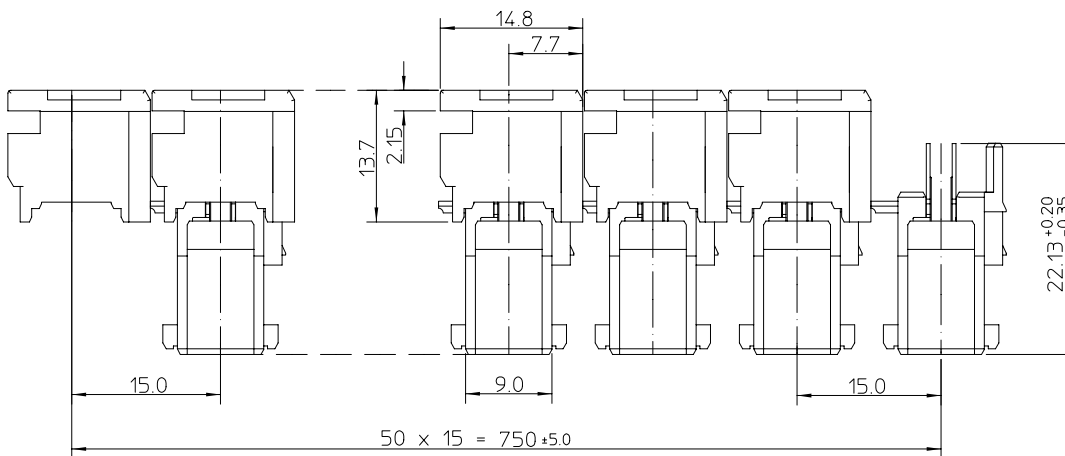
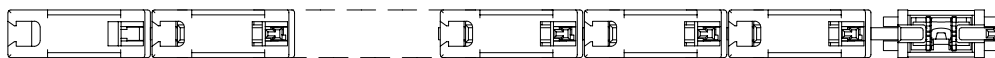
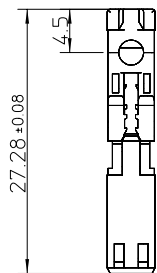


PART NO. SD-91338-006
DWG. NO. SD-91338-006



NOTES:

- MATERIALS:
HOUSING: POLYAMIDE (PA66) UL 94V-2
COLOUR: SEE TABLE
TERMINAL: PHOSPHOR BRONZE, 0.4 REF THICK
- FINISHES: TERMINAL- 5µm MIN PURE Sn ALL OVER
- PRODUCT CONFORMS TO SPECIFICATION PS-99020-0037
- NO. OF CONNECTORS PER TRAY: 2400
NO. OF CONNECTORS PER BOX: 7200

PART NO.	COLOUR
91338-1001	NATURAL
91338-1002	BLUE
91338-1003	GREY
91338-1004	YELLOW
91338-1005	GREEN
91338-1006	BLACK
91338-1007	ORANGE

original release
EC No. E1999-0639
DRWN: LK 28/06/99
CHK:
APPR:

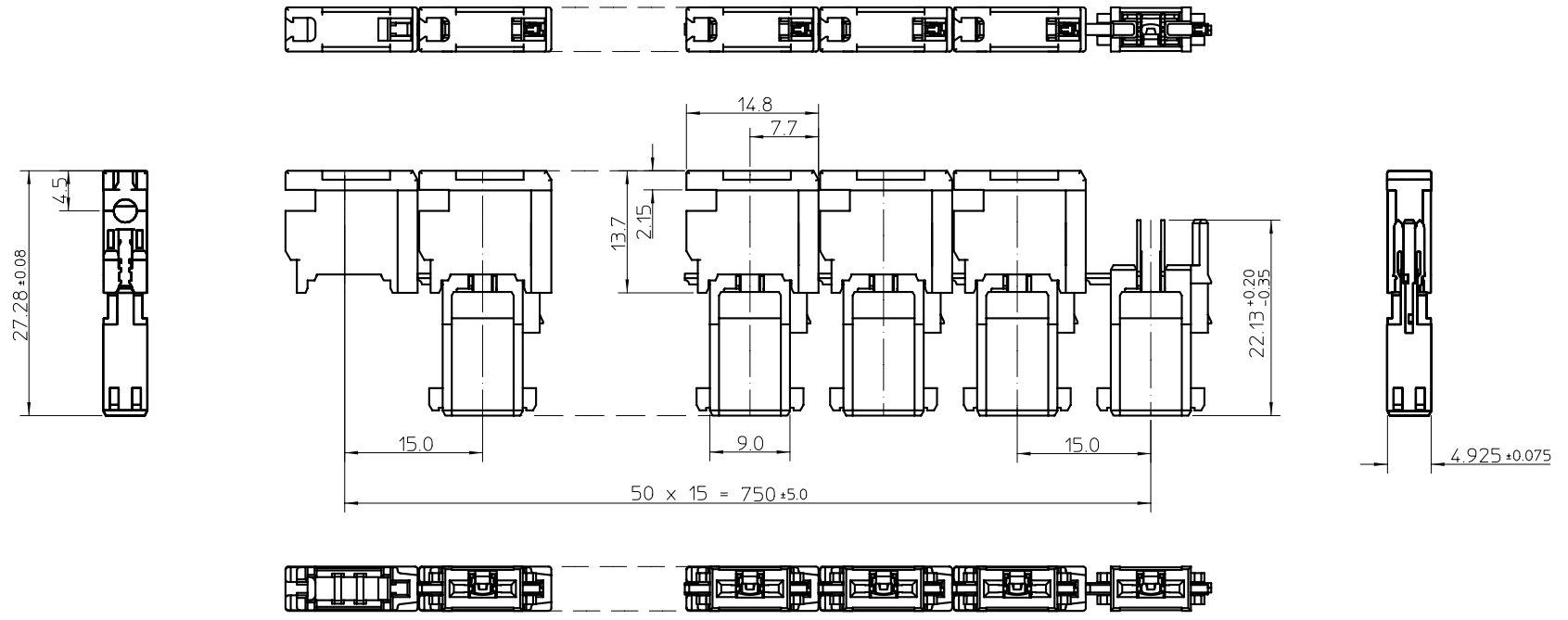
DESCRIPTION
MAJOR
CRITICAL

QUALITY SYMBOLS
GENERAL TOLERANCES: (UNLESS SPECIFIED)
4 PLACES ±---
3 PLACES ±---
2 PLACES ±0.05
1 PLACE ±0.10
ANGULAR: ± 1/2°
DRAFT WHERE APPLICABLE MUST REMAIN WITHIN DIMENSIONS

SCALE 2:1
DESIGN UNITS mm INCH
DRAWN BY & DATE cconlon 99/06/28
CHECKED BY & DATE P.WHITE 99/06/28
APPROVED BY & DATE MWILHITE 1/07/99
CAD FILENAME

DIMENSIONS: mm INCH mm ONLY
THIRD ANGLE PROJECTION
TITLE: RAST 5 1CCT INDIRECT FEMALE
MATERIAL NO. SEE CHART
DRAWING NO. SD-91338-006
SHEET NO. 1 of 1
SIZE B
THIS DRAWING CONTAINS INFORMATION THAT IS PROPRIETARY TO MOLEX INCORPORATED AND SHOULD NOT BE USED WITHOUT WRITTEN PERMISSION.

PART NO. SD-91338-006
DWG. NO. SD-91338-006



- NOTES:
- MATERIALS:
HOUSING: POLYAMIDE (PA66) UL 94V-2
COLOUR: SEE TABLE
TERMINAL: PHOSPHOR BRONZE, 0.4 REF THICK
 - FINISHES: TERMINAL- 5µm MIN PURE Sn ALL OVER
 - PRODUCT CONFORMS TO SPECIFICATION PS-99020-0037
 - NO. OF CONNECTORS PER TRAY: 2400
NO. OF CONNECTORS PER BOX: 7200

PART NO.	COLOUR
91338-1001	NATURAL
91338-1002	BLUE
91338-1003	GREY
91338-1004	YELLOW
91338-1005	GREEN
91338-1006	BLACK
91338-1007	ORANGE

original release EC No. E1999-0639 DRWN: LK 28/06/99 CHK: APPR:	DESCRIPTION MAJOR CRITICAL C	QUALITY SYMBOLS		GENERAL TOLERANCES: (UNLESS SPECIFIED)		SCALE 2:1	DESIGN UNITS <input checked="" type="checkbox"/> mm <input type="checkbox"/> INCH	THIRD ANGLE PROJECTION	DIMENSIONS: <input type="checkbox"/> mm <input type="checkbox"/> INCH <input checked="" type="checkbox"/> mm ONLY		SHT	REV	
						DRAWN BY & DATE ccconlon 99/06/28			TITLE RAST 5 1CCT 10A INDIRECT FEMALE				
						CHECKED BY & DATE P.WHITE 99/06/28		APPROVED BY & DATE MWILHITE 1/07/99		MATERIAL NO. SEE CHART		DRAWING NO. SD-91338-006	
						ANGULAR: ± 1/2°		CAD FILENAME		MATERIAL NO. SEE CHART		SHEET NO. 1 of 1	
A		REV		DRAFT WHERE APPLICABLE MUST REMAIN WITHIN DIMENSIONS		THIS DRAWING CONTAINS INFORMATION THAT IS PROPRIETARY TO MOLEX INCORPORATED AND SHOULD NOT BE USED WITHOUT WRITTEN PERMISSION.						SIZE B	