

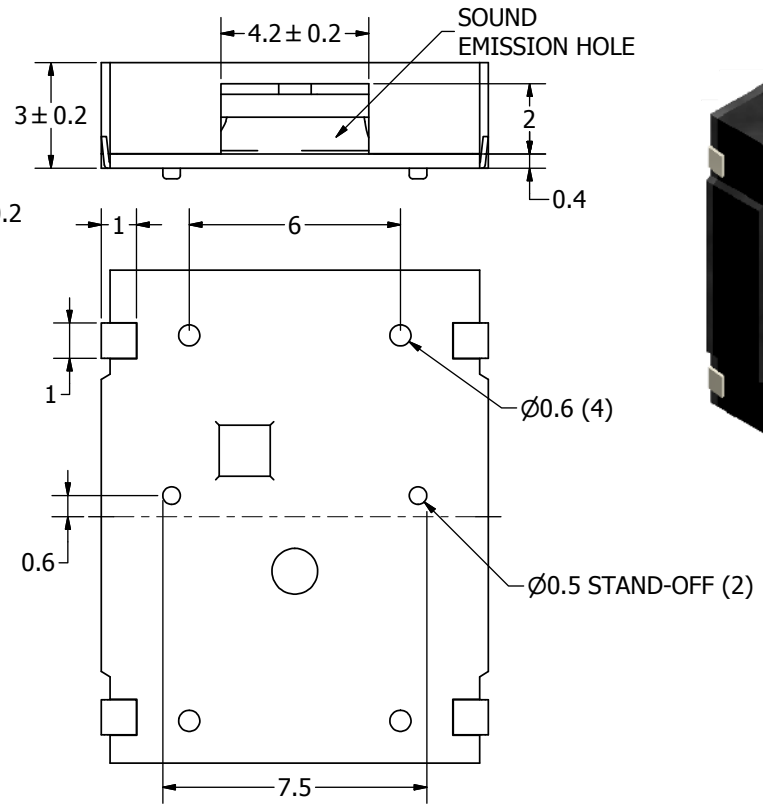
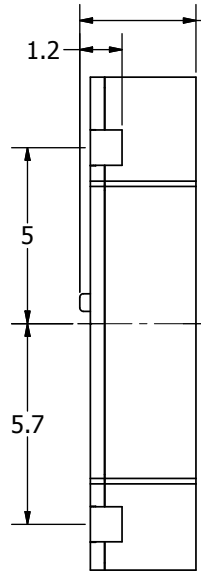
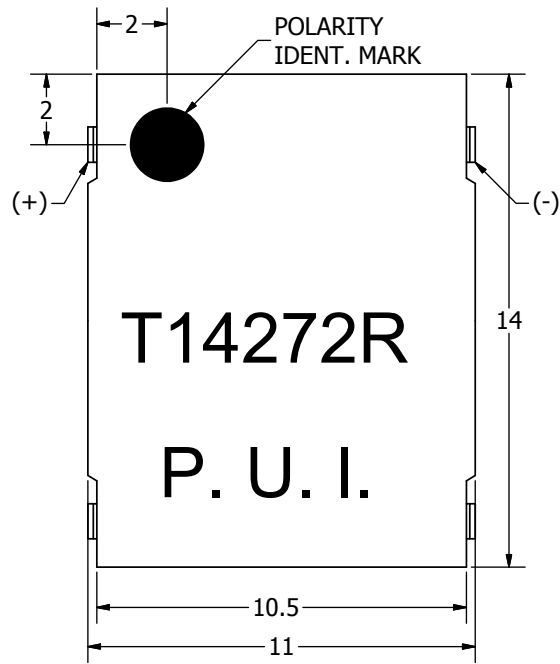
SPECIFICATIONS

| PARAMETERS | VALUES | UNIT |
|-------------------------|------------------------------|-------|
| RATED VOLTAGE | 1.5 | Vp-p |
| OPERATING VOLTAGE RANGE | 1.2 ~ 1.7 | Vp-p |
| RATED CURRENT (MAX) | 80 | mA |
| COIL RESISTANCE | 9 ± 2 | OHM |
| MINIMUM SPL @ 10 CM | 85 | dB |
| RESONANT FREQUENCY | 2,700 ± 500 | Hz |
| OPERATING TEMPERATURE | -40 ~ +85 | °C |
| STORAGE TEMPERATURE | -50 ~ +85 | °C |
| HOUSING MATERIAL | PA46 | - |
| TERMINAL MATERIAL | Sn PLATED PHOSPHOR BRONZE | - |
| WEIGHT | 1 | grams |

THIS DOCUMENT CONTAINS DATA PROPRIETARY TO PROJECTS UNLIMITED, INC. ANY USE OR REPRODUCTION, IN ANY FORM, WITHOUT PRIOR WRITTEN PERMISSION OF PROJECTS UNLIMITED, INC. IS PROHIBITED.
©2003, Projects Unlimited Inc.


REVISION HISTORY

| LTR | DESCRIPTION | DATE | APPROVED |
|-----|--|-----------|----------|
| - | RELEASED FROM ENGINEERING | 9/27/2005 | |
| A | REVISED TO INVENTOR 3-D DRAWING TEMPLATE | 5/7/2010 | B.R. |



NOTES:

1. ALL DIMENSIONS ARE IN MILLIMETERS.
2. SPECIFICATIONS SUBJECT TO CHANGE OR WITHDRAWAL WITHOUT NOTICE.
3. THIS PART IS RoHS 2002/95/EC COMPLIANT.

| | | | | | | | | |
|--|-------------------|--------------------|-----------|---|-----------|--|-----------|------------|
| UNLESS OTHERWISE SPECIFIED: DIMENSIONS ARE IN MILLIMETERS, TOLERANCES ARE ±0.5 AND ANGLES ARE ±3°. | SIZE A3 | Designed by | Date | Checked by | Date | Approved by | Date | Drawn Date |
| | | J.A.F. | 9/27/2005 | E.P. | 9/27/2005 | B.R. | 9/27/2005 | 5/7/2010 |
| | | SMT-1427-S-2-R.idw | |  pu audio™ a projects unlimited company | | SMT-1427-S-2-R Transducer (Electro-Mech) | | Edition |
| | | | | | | - | 1 / 1 | |