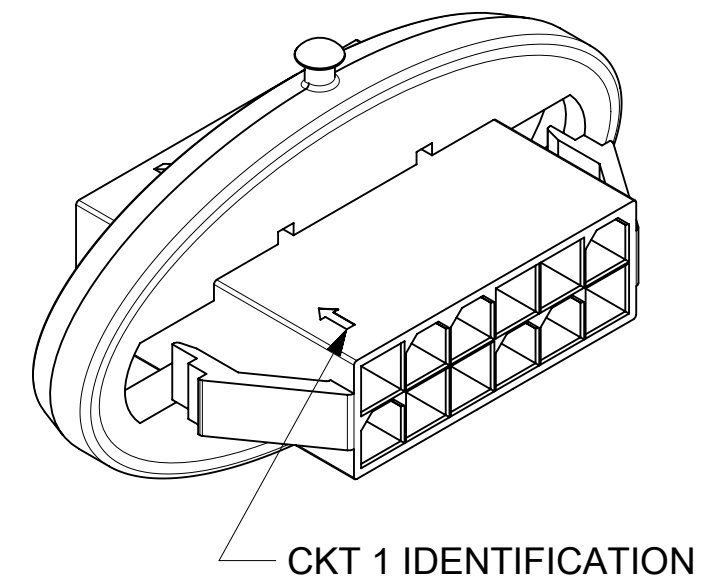
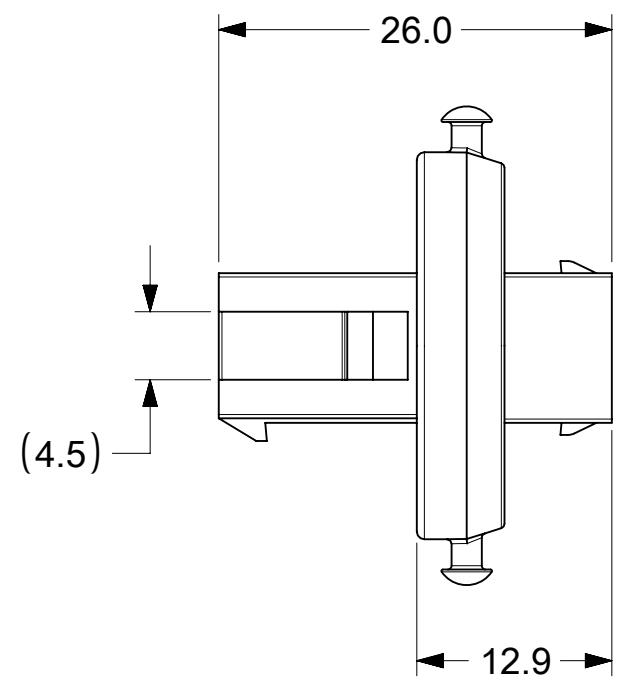
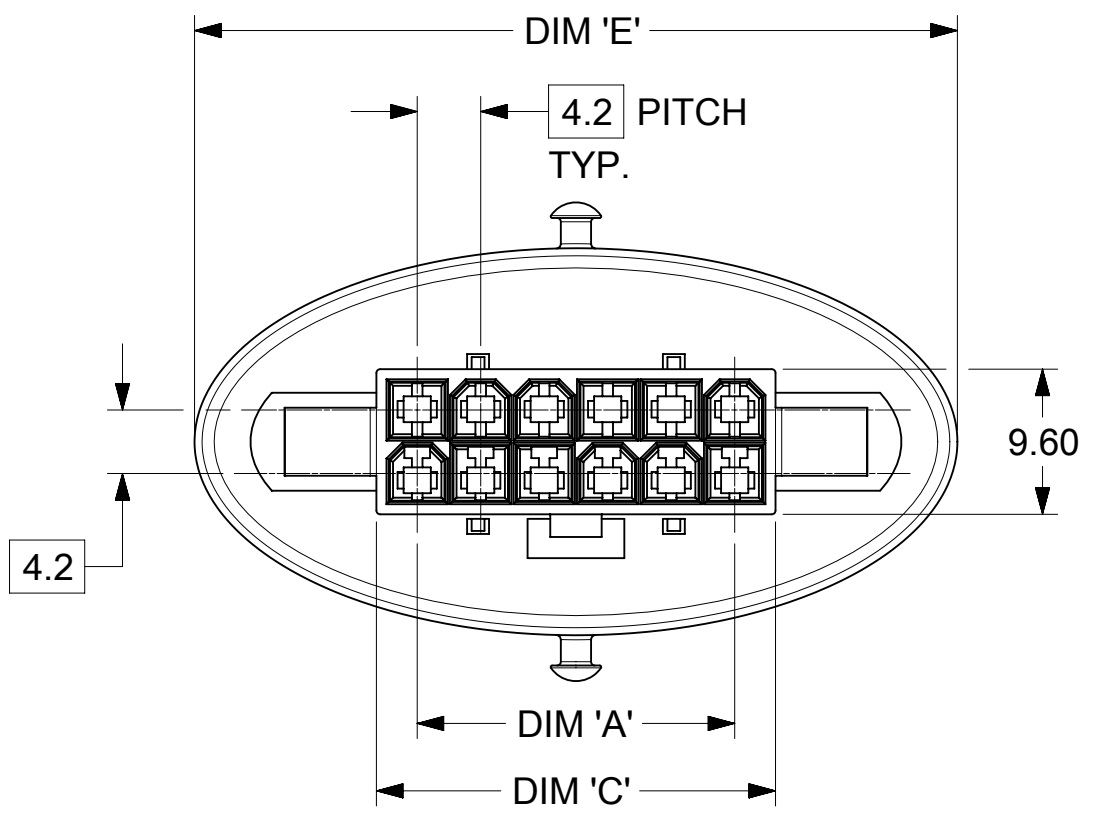


RECOMMENDED PANEL CUT-OUT SHOWN FOR 12CKT, 0.89-2.00 THICK PANEL
 PANEL CUTOOUT TOLERANCES ±0.10
 SHOWN FROM MATING SIDE



- NOTE:
1. MATERIAL: NYLON PA66, UL94V-0
COLOR: NATURAL
 2. PRODUCT SPECIFICATION: 2070170000-PS
APPLICATION SPECIFICATION: 2070170000-AS
 3. PACKAGING SPECIFICATION: 2070170000-PK
 4. THIS HOUSING TO BE USED WITH MALE TERMINAL SERIES 172765,
TPA PN 172709200X, SIGMA SEAL COVER 207019.
 5. TPA IS OPTIONAL FOR THIS PRODUCT.
 6. THIS PART MATES WITH SERIES 5557,46992 & 172708.
 7. WIRES TO BE DRESSED IN SUCH A MANNER TO ALLOW TERMINALS TO FLOAT
FREELY IN THE POCKET.
 8. CONNECTORS ARE NOT TO BE MATED OR UNMATED WHILE CIRCUITS ARE LIVE.
 9. PART CONFORMS TO CLASS "B" REQUIREMENTS OF COSMETIC SPECIFICATION
PS-45499-002.
 10. TEXT ON PART IS FOR REFERENCE ONLY. TEXT AND TEXT LOCATION MAY VARY.

| PLUG PART NUMBER | CKT | A | C | D | E |
|------------------|-----|------|------|------|------|
| 2070170018 | 18 | 33.6 | 39.0 | 51.2 | 63.0 |
| 2070170016 | 16 | 29.4 | 34.8 | 47.0 | 58.8 |
| 2070170014 | 14 | 25.2 | 30.6 | 42.8 | 54.6 |
| 2070170012 | 12 | 21.0 | 26.4 | 38.6 | 50.4 |
| 2070170010 | 10 | 16.8 | 22.2 | 34.4 | 46.2 |
| 2070170008 | 8 | 12.6 | 18.0 | 30.2 | 42.0 |
| 2070170006 | 6 | 8.4 | 13.8 | 26.0 | 37.8 |
| 2070170004 | 4 | 4.2 | 9.6 | 21.8 | 33.6 |

| | | | | | |
|---|---------------------|------------------------------|--------|------------------------------------|----------------|
| THIS DRAWING CONTAINS INFORMATION THAT IS PROPRIETARY TO MOLEX ELECTRONIC TECHNOLOGIES, LLC AND SHOULD NOT BE USED WITHOUT WRITTEN PERMISSION | | CURRENT REV DESC: | | molex | |
| DIMENSION UNITS mm | SCALE 2:1 | EC NO: 670735 | | | |
| GENERAL TOLERANCES (UNLESS SPECIFIED) | | DRWN: KCHIKKANNA 2021/07/19 | | MINI-FIT SIGMA SEALED PLUG HOUSING | |
| ANGULAR TOL ± 0.5° | | CHK'D: KCHIKKANNA 2021/07/19 | | PRODUCT CUSTOMER DRAWING | |
| 4 PLACES ± | | APPR: ISHWARG 2021/07/26 | | DOCUMENT NUMBER | |
| 3 PLACES ± | | INITIAL REVISION: | | 2070170000-SD | |
| 2 PLACES ± 0.25 | | DRWN: GGUNAGI 2019/07/02 | | DOC TYPE | DOC PART |
| 1 PLACE ± 0.35 | | APPR: NCSR 2019/09/18 | | PSD | 000 |
| 0 PLACES ± | | THIRD ANGLE PROJECTION | | REVISION | |
| DRAFT WHERE APPLICABLE MUST REMAIN WITHIN DIMENSIONS | | DRAWING | SERIES | MATERIAL NUMBER | CUSTOMER |
| | | B-SIZE | 207017 | SEE TABLE | GENERAL MARKET |
| | | | | | SHEET NUMBER |
| | | | | | 1 OF 3 |

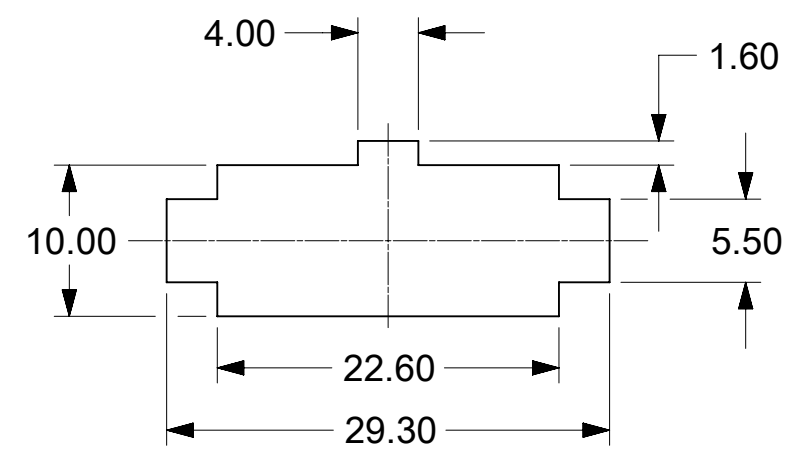
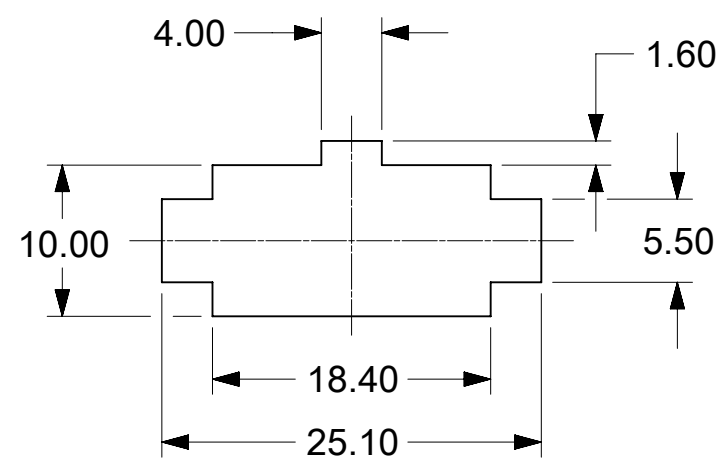
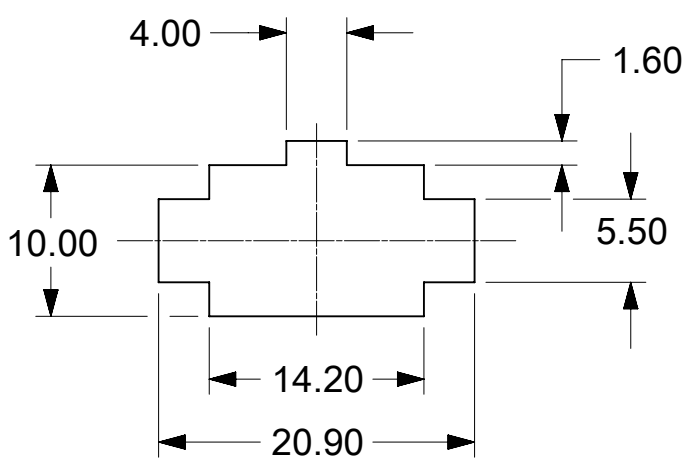
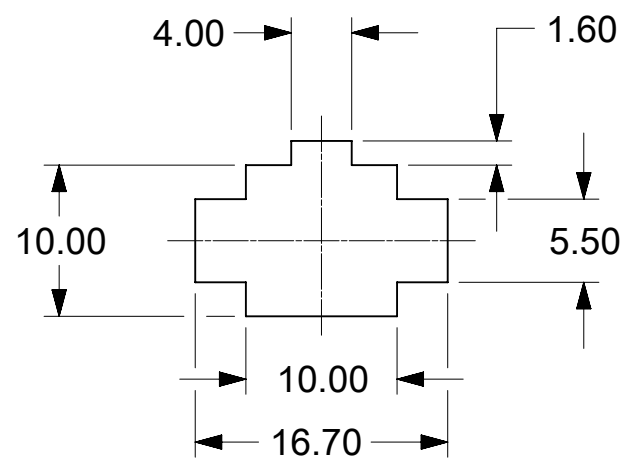
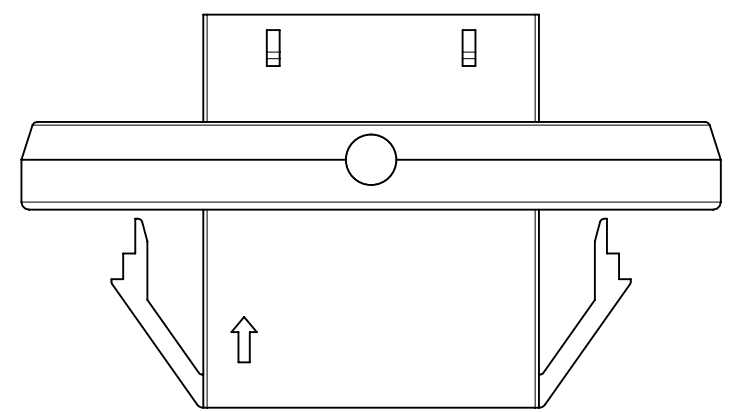
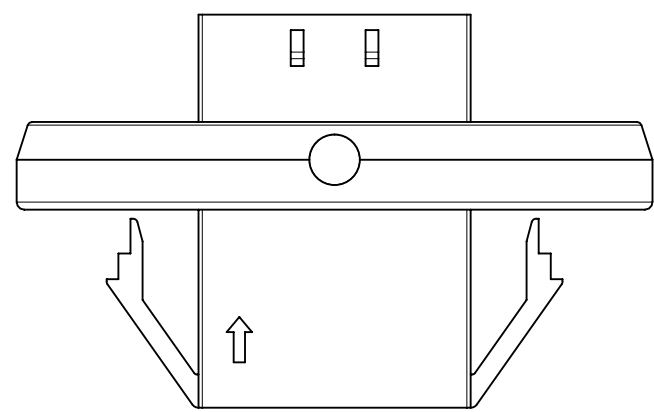
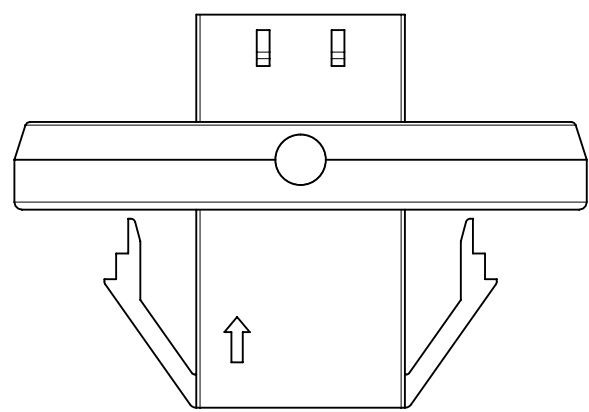
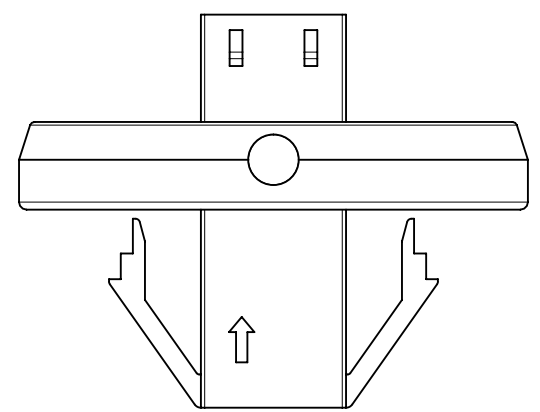
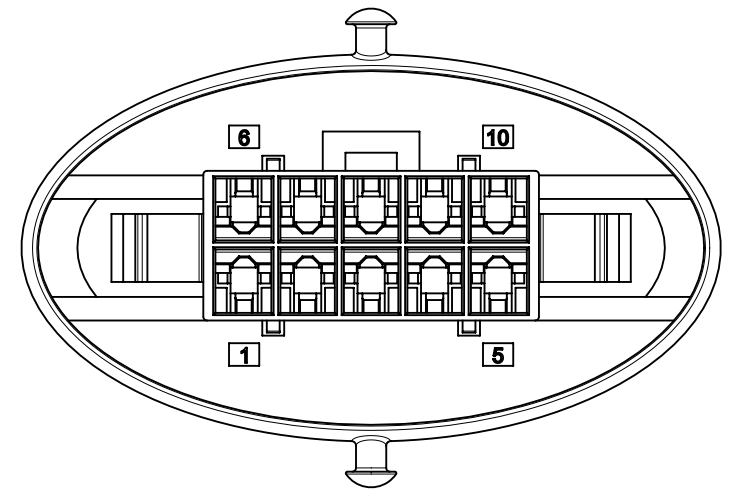
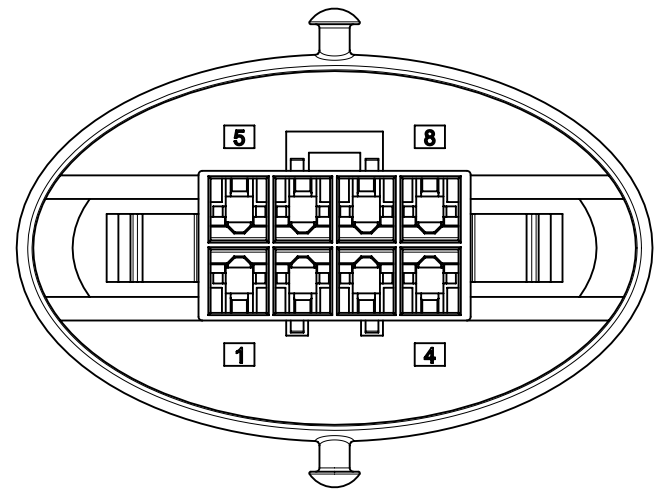
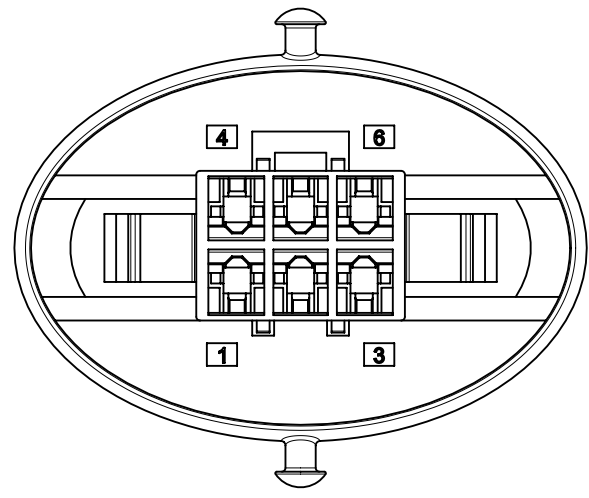
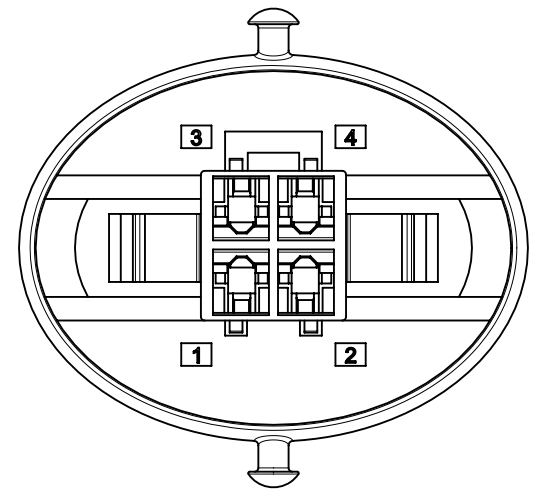
10 9 8 7 6 5 4 3 2 1

4 CKT

6 CKT

8 CKT

10 CKT



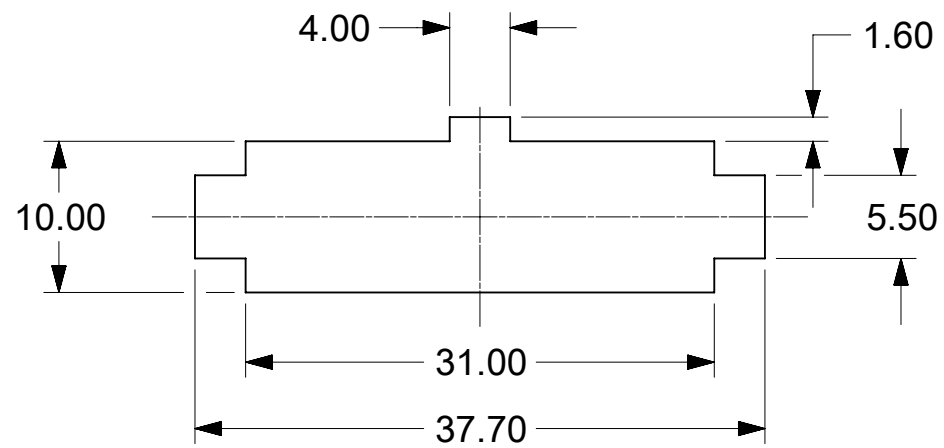
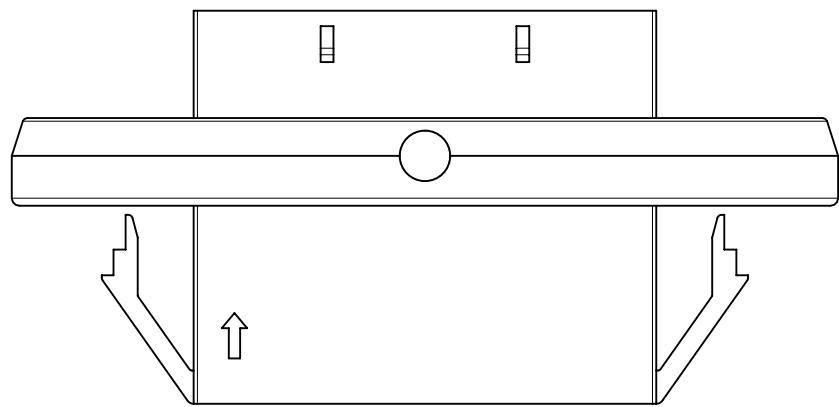
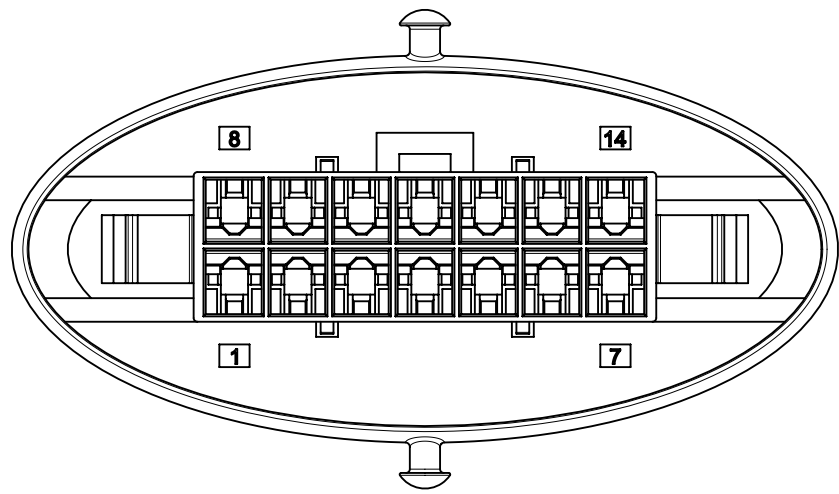
RECOMMENDED PANEL CUT-OUTS FOR 0.89-2.00 THICK PANEL
 PANEL CUTOUT TOLERANCES ±0.10
 SHOWN FROM MATING SIDE

NOTES
 1. DIMENSIONS SHOWN ONLY APPLY TO CIRCUIT
 SIZE SHOWN, SEE SHEET 1 FOR ALL OTHER
 APPLICABLE DIMENSIONS.

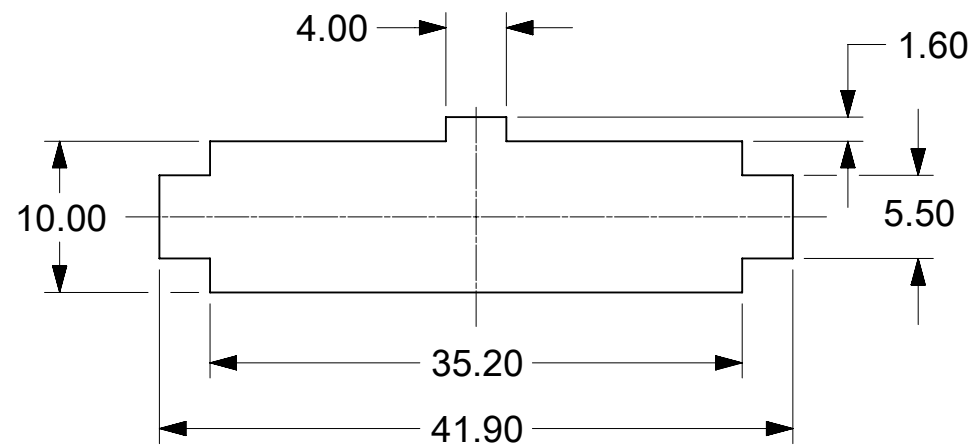
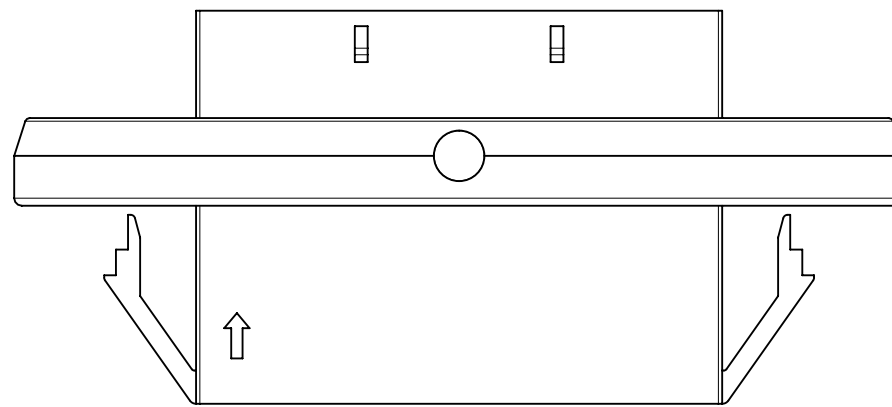
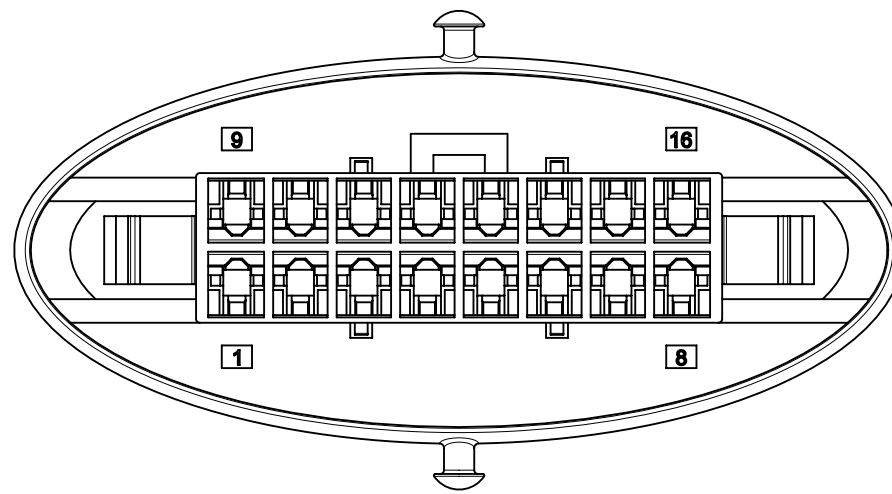
| | | | | | | | | | |
|---|--|-------|--|------------------------|--|----------------|--|------------------------------------|--|
| THIS DRAWING CONTAINS INFORMATION THAT IS PROPRIETARY TO MOLEX ELECTRONIC TECHNOLOGIES, LLC AND SHOULD NOT BE USED WITHOUT WRITTEN PERMISSION | | | | | | | | | |
| DIMENSION UNITS | | SCALE | | CURRENT REV DESC: | | | | | |
| mm | | 2:1 | | | | | | | |
| GENERAL TOLERANCES (UNLESS SPECIFIED) | | | | EC NO: 670735 | | | | | |
| ANGULAR TOL ± 0.5° | | | | DRWN: KCHIKKANA | | 2021/07/19 | | MINI-FIT SIGMA SEALED PLUG HOUSING | |
| 4 PLACES ± | | | | CHK'D: KCHIKKANA | | 2021/07/19 | | PRODUCT CUSTOMER DRAWING | |
| 3 PLACES ± | | | | APPR: ISHWARG | | 2021/07/26 | | DOCUMENT NUMBER | |
| 2 PLACES ± 0.25 | | | | INITIAL REVISION: | | | | 2070170000-SD | |
| 1 PLACE ± 0.35 | | | | DRWN: GGUNAGI | | 2019/07/02 | | DOC TYPE | |
| 0 PLACES ± | | | | APPR: NCSR | | 2019/09/18 | | DOC PART | |
| DRAFT WHERE APPLICABLE MUST REMAIN WITHIN DIMENSIONS | | | | THIRD ANGLE PROJECTION | | DRAWING | | REVISION | |
| | | | | B-SIZE | | 207017 | | C2 | |
| | | | | MATERIAL NUMBER | | CUSTOMER | | SHEET NUMBER | |
| | | | | SEE TABLE | | GENERAL MARKET | | 2 OF 3 | |

9 8 7 6 5 4 3 2 1

14 CKT

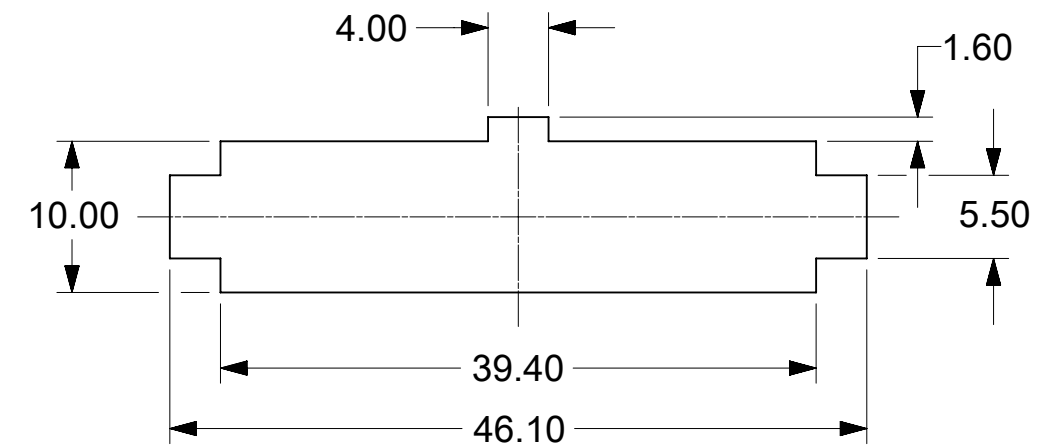
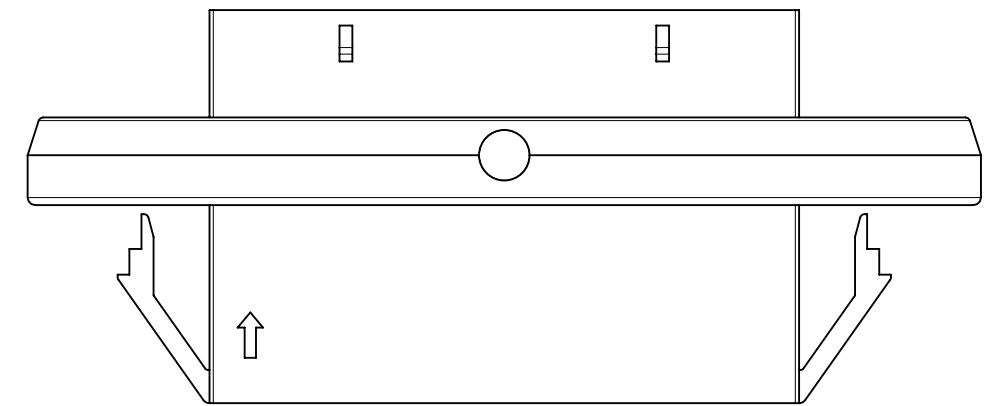
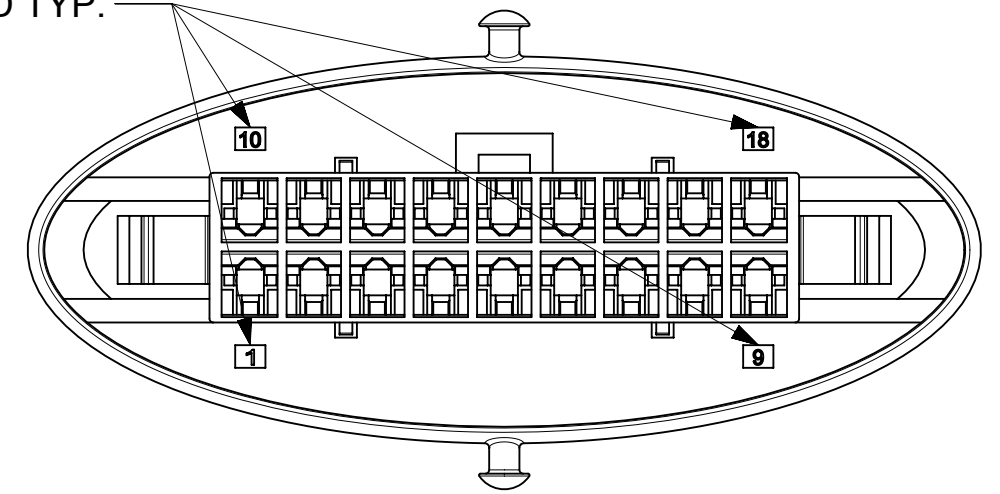


16 CKT



18 CKT

CKT ID TYP.



RECOMMENDED PANEL CUT-OUTS FOR 0.89-2.00 THICK PANEL
 PANEL CUTOUT TOLERANCES ±0.10
 SHOWN FROM MATING SIDE

NOTES
 1. DIMENSIONS SHOWN ONLY APPLY TO CIRCUIT
 SIZE SHOWN, SEE SHEET 1 FOR ALL OTHER
 APPLICABLE DIMENSIONS.

| | | | | | | | | | |
|---|-------|------------------------|---------|------------|-----------------|------------------------------------|--------------|----------|----------|
| THIS DRAWING CONTAINS INFORMATION THAT IS PROPRIETARY TO MOLEX ELECTRONIC TECHNOLOGIES, LLC AND SHOULD NOT BE USED WITHOUT WRITTEN PERMISSION | | | | | | | | | |
| DIMENSION UNITS | SCALE | CURRENT REV DESC: | | | | | | | |
| mm | 2:1 | | | | | | | | |
| GENERAL TOLERANCES (UNLESS SPECIFIED) | | EC NO: 670735 | | | | | | | |
| ANGULAR TOL ± 0.5° | | DRWN: KCHIKKANNA | | 2021/07/19 | | MINI-FIT SIGMA SEALED PLUG HOUSING | | | |
| 4 PLACES ± | | CHK'D: KCHIKKANNA | | 2021/07/19 | | PRODUCT CUSTOMER DRAWING | | | |
| 3 PLACES ± | | APPR: ISHWARG | | 2021/07/26 | | DOCUMENT NUMBER | | | |
| 2 PLACES ± 0.25 | | INITIAL REVISION: | | 2019/07/02 | | 2070170000-SD | | DOC TYPE | DOC PART |
| 1 PLACE ± 0.35 | | DRWN: GGUNAGI | | 2019/07/02 | | PSD | | 000 | REVISION |
| 0 PLACES ± | | APPR: NCSR | | 2019/09/18 | | C2 | | | |
| DRAFT WHERE APPLICABLE MUST REMAIN WITHIN DIMENSIONS | | THIRD ANGLE PROJECTION | DRAWING | SERIES | MATERIAL NUMBER | CUSTOMER | SHEET NUMBER | | |
| | | | B-SIZE | 207017 | SEE TABLE | GENERAL MARKET | 3 OF 3 | | |