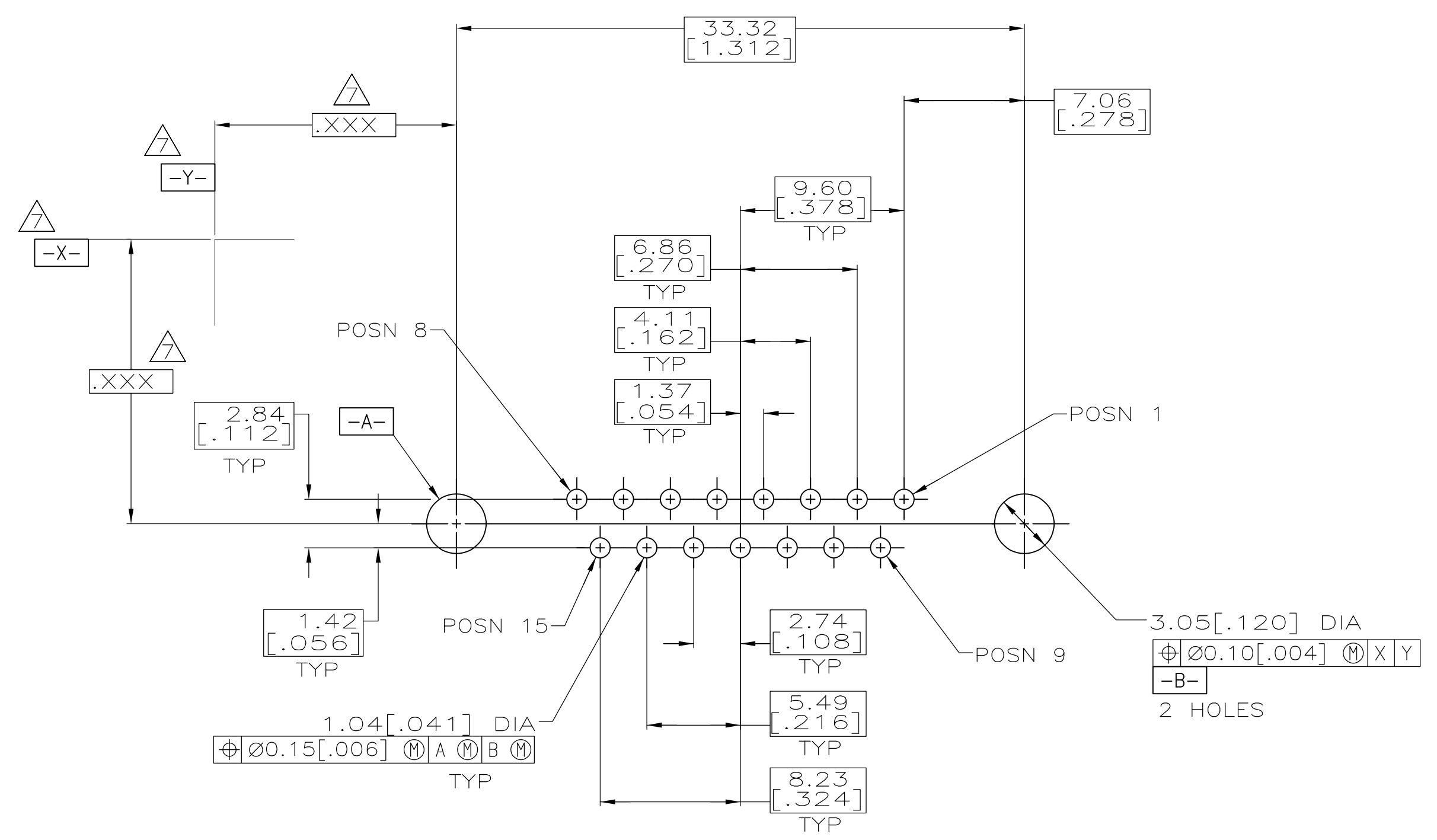
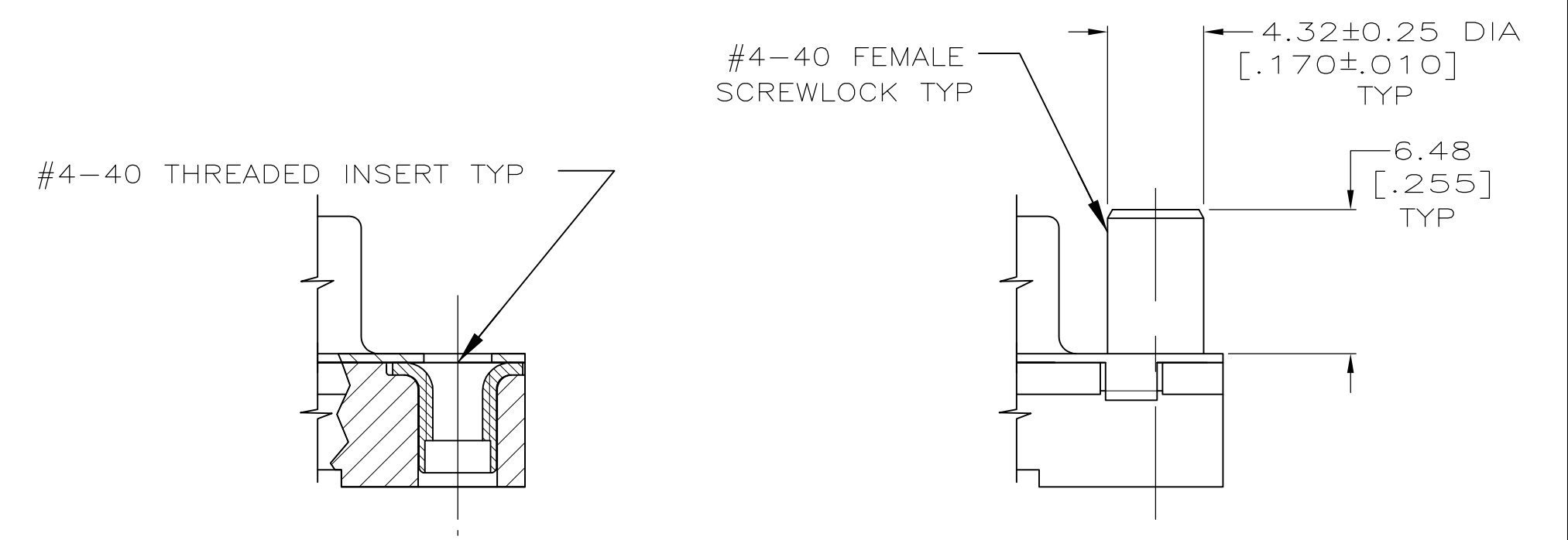
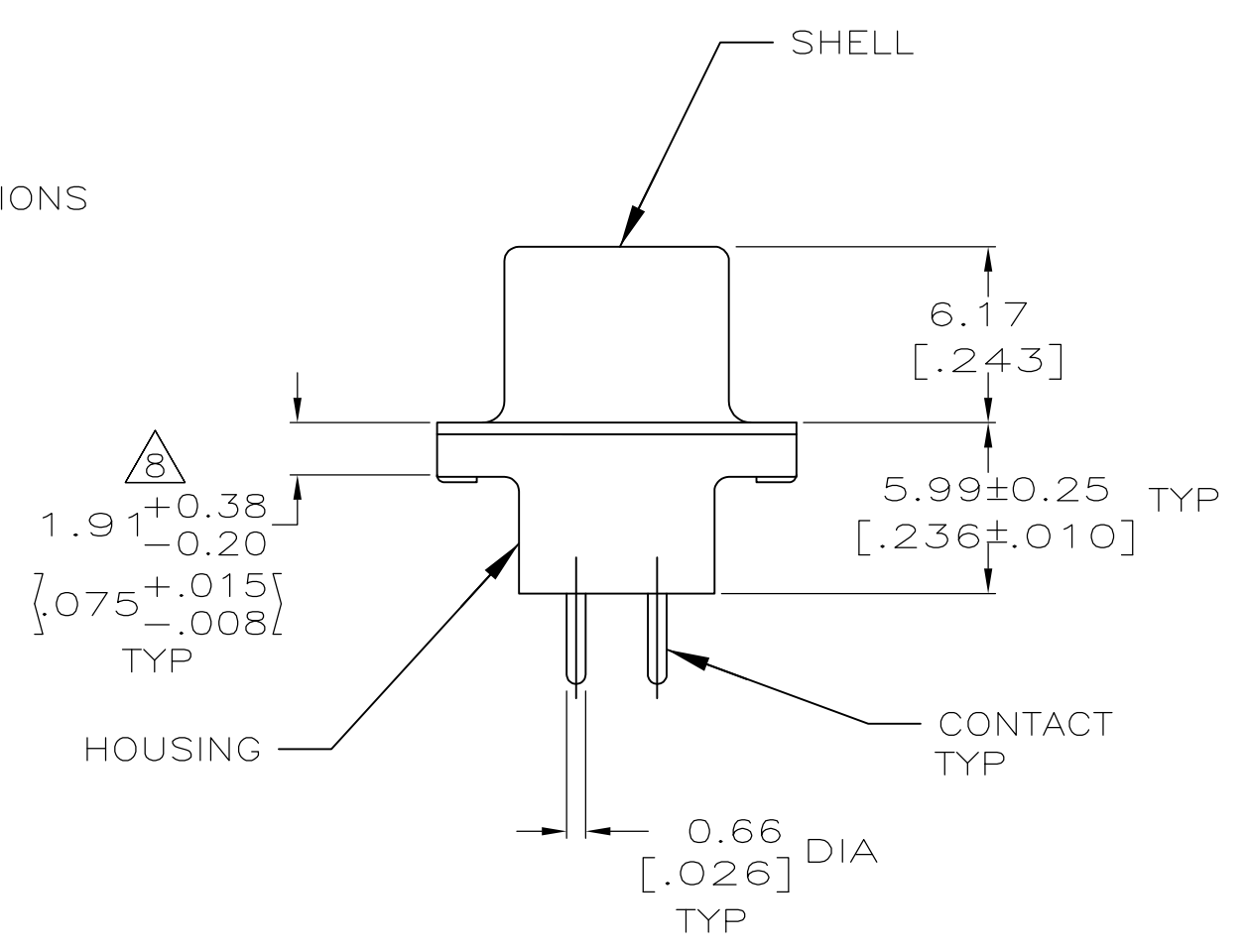
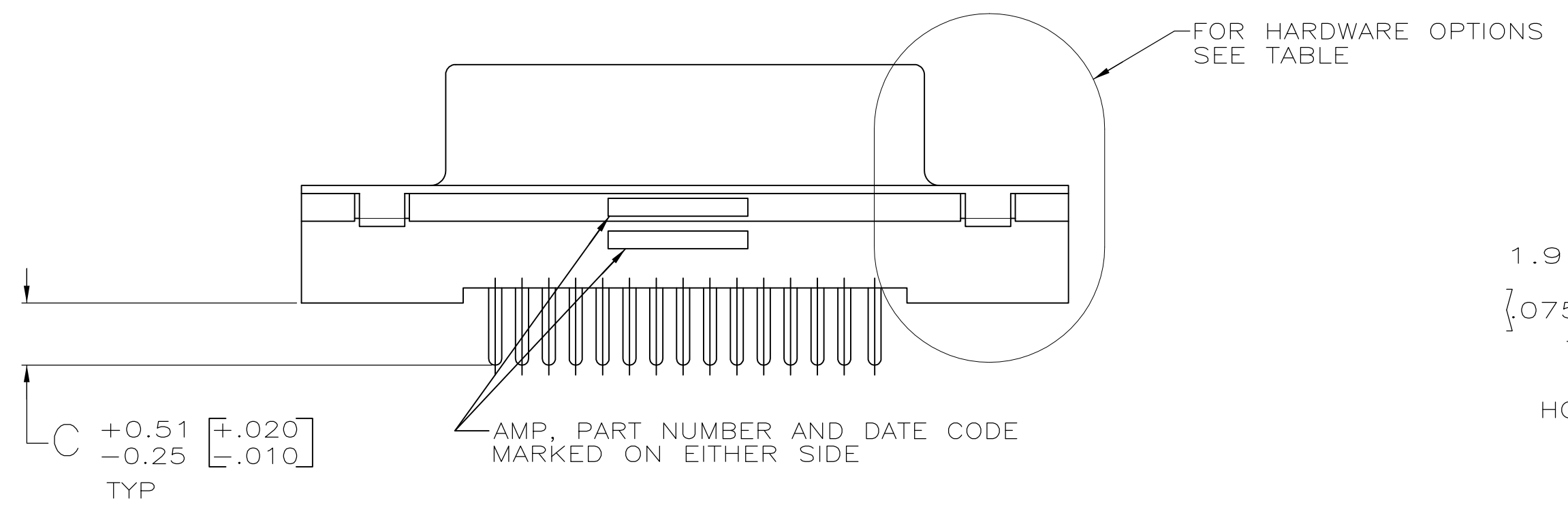
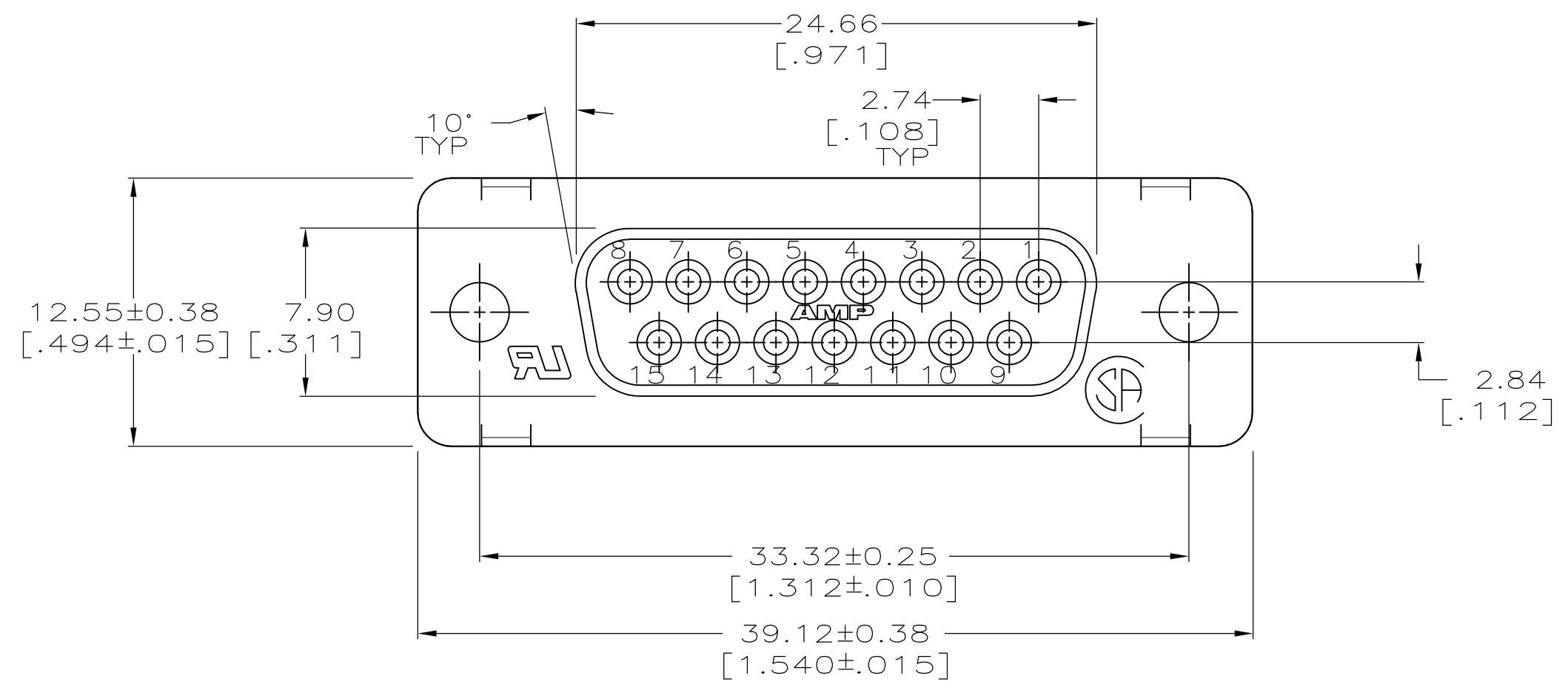


- ▲ POLYESTER, UL 94V-0 RATED, BLACK.
- ▲ CARBON STEEL.
- ▲ 5.08um [.000200] MIN TIN OVER 2.54um [.000100] MIN COPPER.
- ▲ GOLD FLASH FOR A LENGTH OF 2.54[.100] MIN FROM MATING END, 2.54um [.000100] MIN TIN OR TIN-LEAD ON OPPOSITE END, BOTH OVER 1.27um [.000050] MIN NICKEL.
- ▲ 0.76um [.000030] MIN GOLD FOR A LENGTH OF 2.54 [.100] MIN FROM MATING END, 2.54um [.000100] MIN TIN OR TIN-LEAD ON OPPOSITE END, BOTH OVER 1.27um [.000050] MIN NICKEL.
- ▲ NOTE DELETED.
- ▲ DATUMS AND BASIC DIMENSIONS ESTABLISHED BY CUSTOMER.
- ▲ 2.79[.110] MAX IN SHELL TAB CLINCH AREAS.
- ▲ OBSOLETE PART NUMBER.
- ▲ 10 SUPSD BY 747299-2.
- ▲ 11 SUPSD BY 1-747299-6.



W/FEMALE SCREWLOCKS PER DETAIL E	▲ 5	4.32 [0.170]	▲ 1-747299-6
	▲ 4	4.32 [0.170]	▲ 1-747299-5
W/THREADED INSERTS PER DETAIL D	▲ 5	3.18 [0.125]	1-747299-4
	▲ 4	3.18 [0.125]	▲ 9 1-747299-3
WO/FEMALE SCREWLOCKS OR THREADED INSERTS AS SHOWN	▲ 5	4.32 [0.170]	▲ 9 747299-0
	▲ 5	3.18 [0.125]	747299-8
	▲ 6	3.18 [0.125]	747299-7
	▲ 4	3.18 [0.125]	▲ 10 747299-1

THIS DRAWING IS A CONTROLLED DOCUMENT.		DWN D BROCKWAY 3-22-93	CHK R STONE 5-10-93	APVD -	NAME	STE TE Connectivity	
DIMENSIONS: mm(INCHES)	TOLERANCES UNLESS OTHERWISE SPECIFIED:	PRODUCT SPEC 108-40025		APPLICATION SPEC 114-40023		SIZE A1	CAGE CODE 00779
MATERIAL ▲ 1 ▲ 2		FINISH ▲ 3		WEIGHT -		SCALE 4:1	SHEET 1 OF 1
CUSTOMER DRAWING		RESTRICTED TO -		DRAWING NO 747299		REV L1	

RECOMMENDED PC BOARD MOUNTING DIMENSIONS