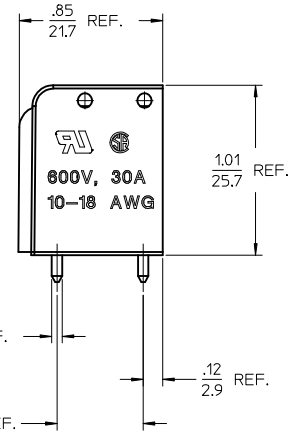
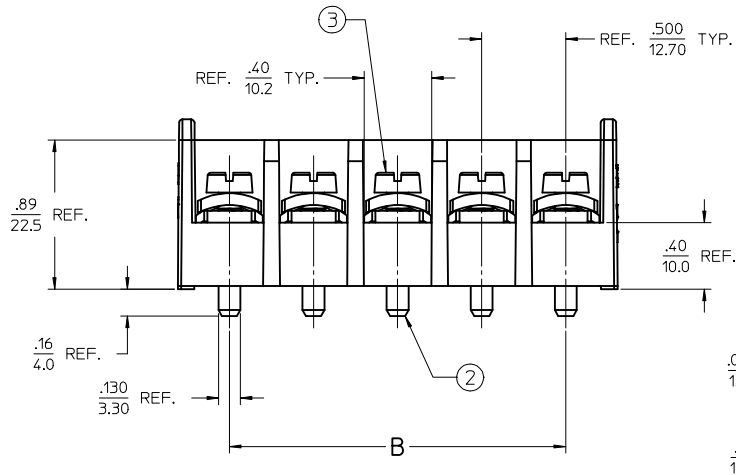
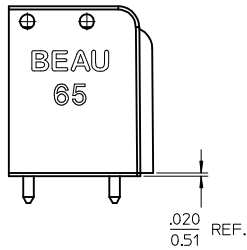
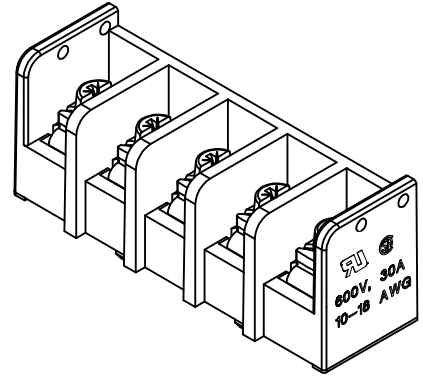
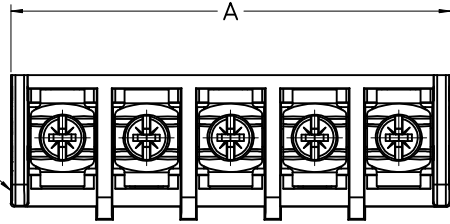
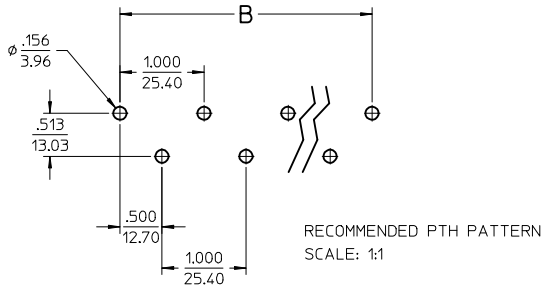


POLES	MATERIAL NO.	ENGINEERING NO.	A		B	
			IN	mm	IN	mm
5	386598001	65505-C-P-88-SPCL-	2.61	66.3	2.00	50.8
8	386598002	65508-C-P-88-SPCL-	4.11	104.4	3.50	88.9
10	386598003	65510-C-P-88-SPCL-	5.11	129.8	4.50	114.3



- NOTES:
1. MATERIAL: SEE TABLE
 2. FINISH: SEE TABLE
 3. WIRE RANGE: 18-10 AWG
 4. ELECTRICAL SPECS:
VOLTAGE: 600V
CURRENT: 30A
 5. TIGHTENING TORQUE: 16 IN. LBS.
 6. "XX" REFERS TO QUANTITY OF CIRCUITS
 7. PART IS RoHS COMPLIANT

ITEM	QTY.	DESCRIPTION	MATERIAL	FINISH
3	XX	SCREW & WASHER, M4 X 0.7	STEEL	ZINC/CL CHROMATE
2	XX	TERMINAL, PC SHORT, 600V	BRASS	TIN PLATED
1	1	INSULATOR, SINGLE ROW, BTS	PBT	BLACK

RELEASED IEC NO: IPG2015-0952 2014/11/20 DRWNRSTONE CHYKDB RUPERT 2014/12/02 APPR: JFMURPHY 2014/12/17	QUALITY SYMBOLS	GENERAL TOLERANCES (UNLESS SPECIFIED)	DIMENSION STYLE	SCALE	DESIGN UNITS	THIRD ANGLE PROJECTION
	$\nabla=0$ $\nabla=0$	mm INCH 4 PLACES ± --- ± --- 3 PLACES ± --- ± .005 2 PLACES ± 0.13 ± .01 1 PLACE ± 0.3 ± --- 0 PLACE ± --- ± --- ANGULAR ± 1° DRAFT WHERE APPLICABLE MUST REMAIN WITHIN DIMENSIONS	IN/MM DRAWN BY DATE RSTONE 2014/11/20 CHECKED BY DATE B RUPERT 2014/12/02 APPROVED BY DATE JFMURPHY 2014/12/17	2:1 TITLE .500 SR BTS 30A ASSY -C -P -88		
MATERIAL NO. SEE CHART SIZE C	DOCUMENT NO. SD-38659-004	SHEET NO. 1 OF 1	molex			

THIS DRAWING CONTAINS INFORMATION THAT IS PROPRIETARY TO MOLEX INCORPORATED AND SHOULD NOT BE USED WITHOUT WRITTEN PERMISSION