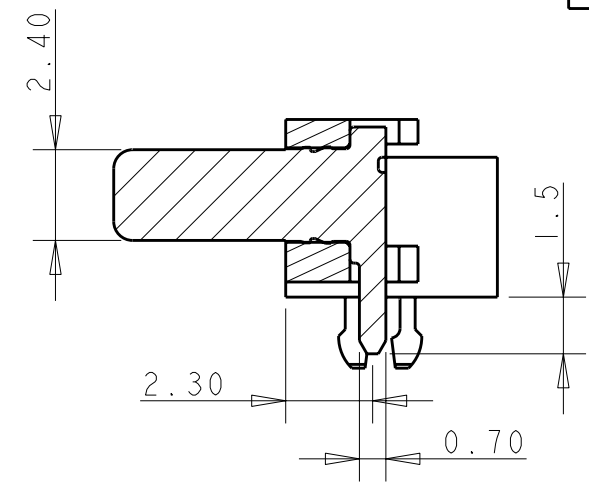
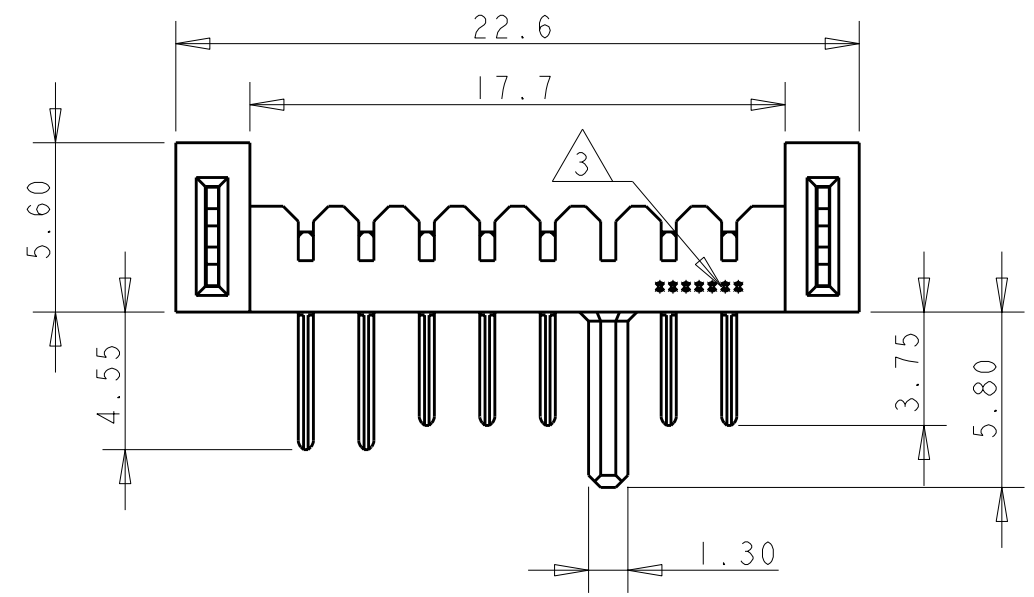


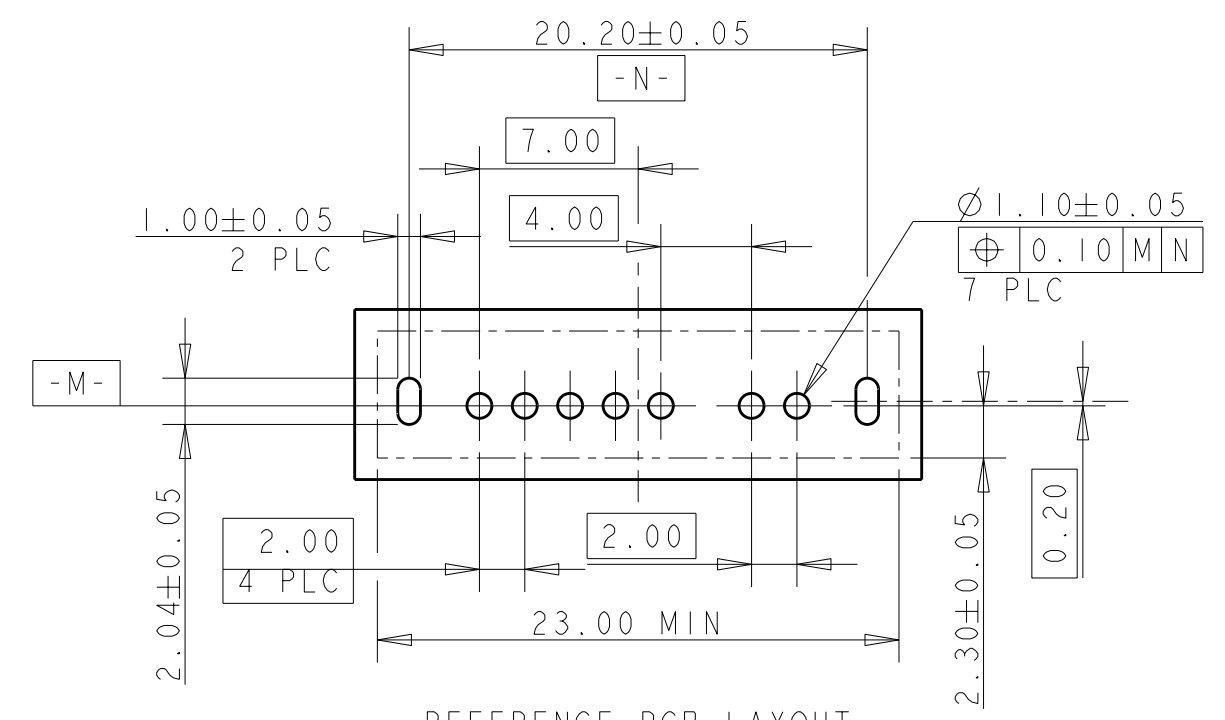
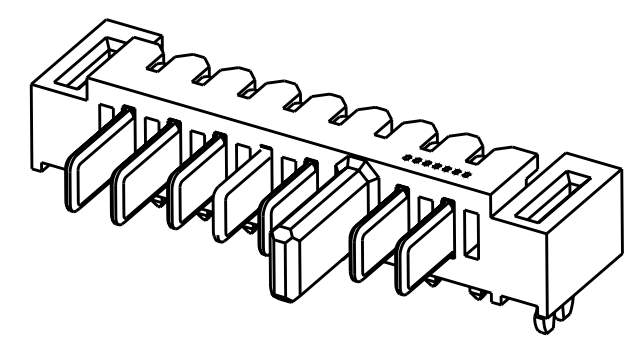
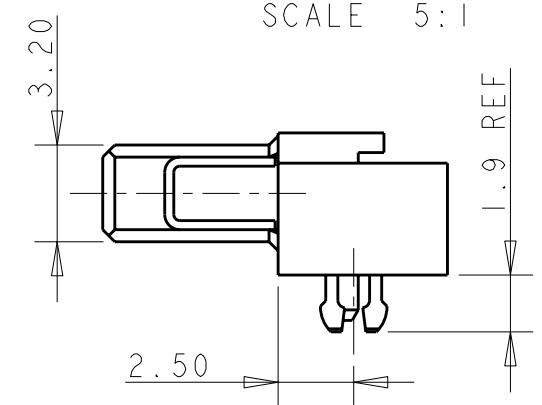
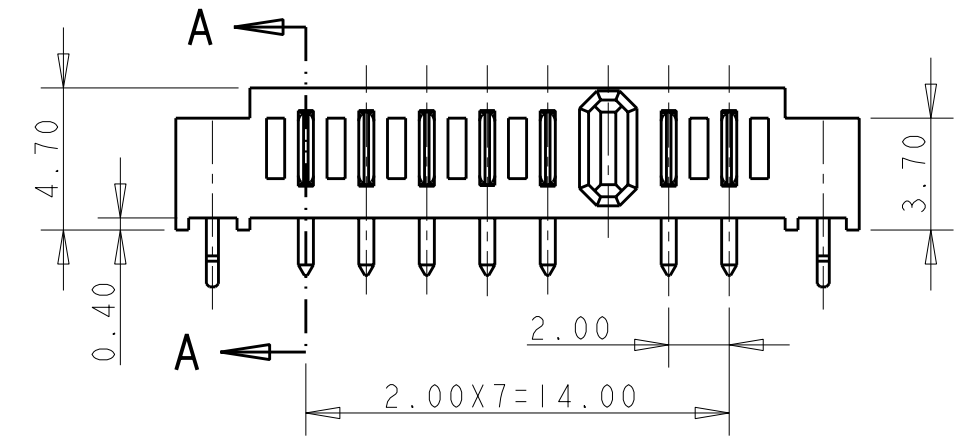
THIS DRAWING IS UNPUBLISHED. RELEASED FOR PUBLICATION 20
 © COPYRIGHT 20 BY TYCO ELECTRONICS CORPORATION. ALL RIGHTS RESERVED.

| LOC | DIST | REVISIONS | | | | | |
|-----|------|-----------|-----|----------------------------|-----------|-----|------|
| | | P | LTR | DESCRIPTION | DATE | DWN | APVD |
| J | - | | A | RELEASED PER ECR-08-021170 | 02SEP2008 | TY | SY |

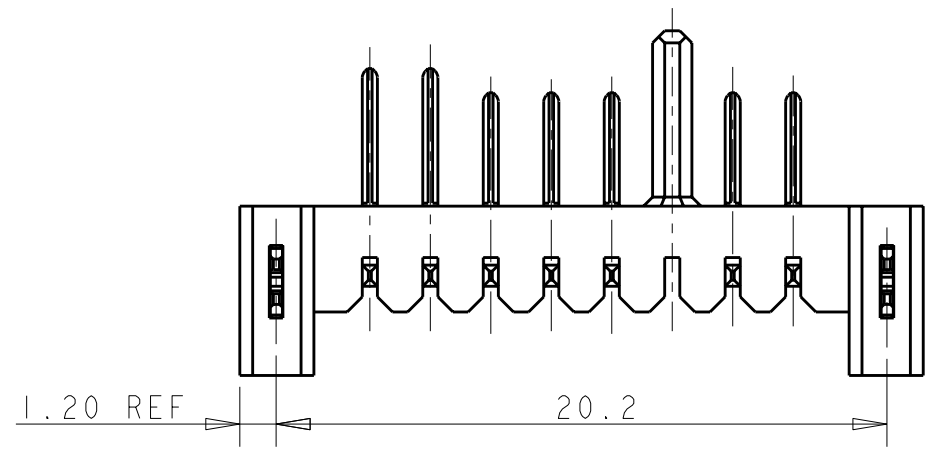


SECTION A-A
SCALE 5:1

- 1 MATERIAL
HOUSING: HALOGEN FREE PLASTIC, UL94V-1, BLACK
CONTACT: COPPER ALLOY
LEG: COPPER ALLOY
- 2 FINISH
CONTACT: NI ALL OVER UNDERPLATING
GOLD PLATING AT CONTACT AREA
GOLD FLASH PLATING AT SOLDER AREA
LEG: NI ALL OVER UNDERPLATING
TIN PLATING
- 3 DATE CODE: 7 DIGIT NUMBER: SEE FIG-1



REFERENCE PCB LAYOUT
PCB THICKNESS 1.0MM
(VIEW FROM CONNECTOR MOUNTING SIDE)



YYWWD**
 DAY SHIFT OR NIGHT SHIFT
 ASS'Y LINE NO.
 A,B,C,***
 DAY
 WEEK CODE
 YEAR

3 FIG-1

THIS DRAWING IS A CONTROLLED DOCUMENT FOR TYCO ELECTRONICS CORPORATION
IT IS SUBJECT TO CHANGE AND THE CONTROLLING ENGINEERING ORGANIZATION
SHOULD BE CONTACTED FOR THE LATEST REVISION.

| | |
|-------------|--|
| DIMENSIONS: | TOLERANCES UNLESS OTHERWISE SPECIFIED: |
| mm | 0 PLC ± |
| | 1 PLC ±0.25 |
| | 2 PLC ±0.10 |
| | 3 PLC ± |
| | 4 PLC ± |
| | ANGLES ±3 |
| MATERIAL | FINISH |
| 1 | 2 |

| | | | | |
|------------------|--------|-----------|---------------------------|-----|
| DWN | T.YU | 04AUG2008 | Tyco Electronics | |
| CHK | S.ZHAO | 04AUG2008 | Shanghai P.R.CHINA 200233 | |
| APVD | - | - | NAME | |
| PRODUCT SPEC | - | - | PLUG ASSEMBLY | |
| APPLICATION SPEC | - | - | 2.0mm PITCH 7POS REVERSE | |
| WEIGHT | - | - | BATTERY CONNECTOR | |
| CUSTOMER DRAWING | SCALE | 4: | SHEET | OF |
| | | | | REV |
| | | | | A |