

NOTES:

ELECTRICAL:

- VOLTAGE RATING : 125 VAC RMS.
- CURRENT RATING : 1.5 AMP.
- CONTACT RESISTANCE : 50 MILLIOHMS MAX.  $\Delta$
- INSULATION RESISTANCE: 1000 MEGOHMS MIN @ 500 VDC.
- DIELECTRIC STRENGTH : 1000 VAC RMS 60Hz, 1MIN.

MECHANICAL:

- HOUSING MATERIAL : GLASS FILLED POLYESTER OR FR52 UL94V-0.
- CONTACT MATERIAL : PHOSPHOR BRONZE  $\phi 0.46$ mm.
- PLATING : 1: CONTACT AREA- SELECTIVE GOLD PLATING.  
2: TAILS- 150u" TIN-LEAD MIN OVER 50u" NICKEL.  $\Delta$  OR TIN OVER NICKEL LEAD FREE.
- OPERATING LIFE : 750 CYCLES MIN.
- PCB RETENTION PRE-SOLDER : 1 LB MIN.
- PCB RETENTION POST-SOLDER: 10 LBS MIN.
- LED COLOR : GREEN

ENVIRONMENTAL:

- STORAGE :  $-40^\circ\text{C}$  TO  $+85^\circ\text{C}$ .
- OPERATION:  $0^\circ\text{C}$  TO  $70^\circ\text{C}$ .

MATES WITH MODULAR PLUG CONFORMING TO

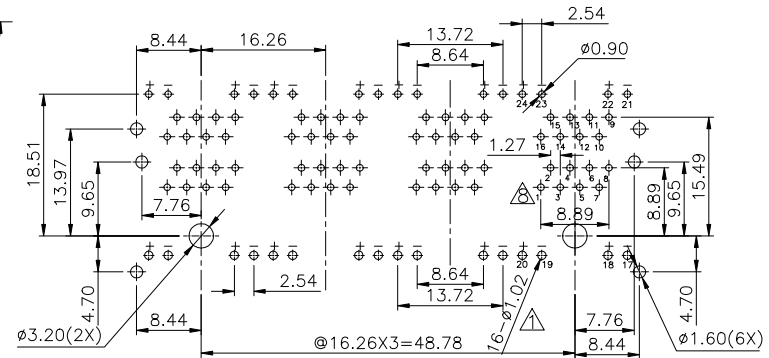
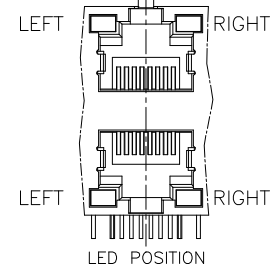
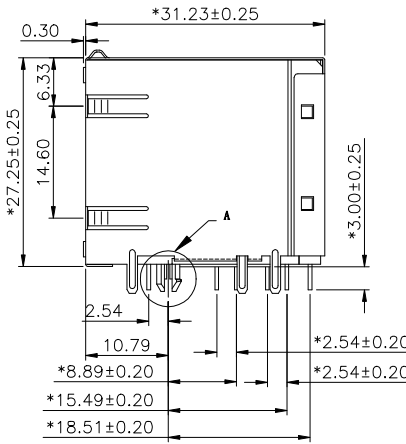
FCC PART 68, SUBPART F.

PART NUMBER: E5J88-X4CXFX

- A- LEFT LED: GREEN, RIGHT LED: GREEN
  - B- LEFT LED: GREEN, RIGHT LED: ORANGE
  - C- LEFT LED: GREEN, RIGHT LED: YELLOW
  - L- LEFT LED: YELLOW, RIGHT LED: GREEN
  - F- LEFT LED: ORANGE, RIGHT LED: GREEN
  - D- LEFT LED: G+R, RIGHT LED: G+R
- Gold Thickness:
    - 1- 3u" 2- 6u" 3- 15u"
    - 4- 30u" 5- 50u"
  - 0- W/O "FRE" LOGO  $\Delta$
  - 2- W/ "FRE" LOGO
  - J- W/ O LOGO FR52

$\Delta$  Lead Free P/N: PART NUMBER: E5J88-X4CXFX-L

- A- LEFT LED: GREEN, RIGHT LED: GREEN
  - B- LEFT LED: GREEN, RIGHT LED: ORANGE
  - C- LEFT LED: GREEN, RIGHT LED: YELLOW
  - L- LEFT LED: YELLOW, RIGHT LED: GREEN
  - F- LEFT LED: ORANGE, RIGHT LED: GREEN
  - D- LEFT LED: G+R, RIGHT LED: G+R
- Gold Thickness:
    - 1- 3u" 2- 6u" 3- 15u"
    - 4- 30u" 5- 50u"
  - 0- W/O "FRE" LOGO
  - 2- W/ "FRE" LOGO
  - J- W/ O LOGO FR52



REVISION RECORD				
REV	ECO	DESCRIPTION	DRFT	CHKD
$\Delta$		DRAWING MODIFY	LUSHENG 11/09/01	
$\Delta$		ADD TYPE	LUSHENG 11/28/01	H
$\Delta$		ADD TYPE	XL 3/18/02	
$\Delta$		ADD TYPE	IRONDR 07/23/02	
$\Delta$		DRAWING MODIFY	IRONDR 08/16/02	
$\Delta$		ADD TYPE	IRONDR 08/28/02	
$\Delta$		ADD TYPE	IRONDR 08/31/02	
$\Delta$		DRAWING MODIFY	IRONDR 11/28/02	G
$\Delta$		ADD TYPE	JAKE 08/07/03	
$\Delta$		DRAWING MODIFY	JAKE 08/23/03	
$\Delta$		DRAWING MODIFY	JAKE 07/23/04	
$\Delta$		DRAWING MODIFY	PETERS 11/26/04	
$\Delta$		ADD NEW TYPE	SHI 02/16/05	

MM (INCH)	DFTO LUSHENG DATE 05/22/01
TOLERANCES EXCEPT AS NOTED	CHKD JAKE DATE 2005/2/21
	MFO DATE
	APPV LUSHENG DATE 2005/2/22
MM	MATERIAL :
.0 $\pm 0.20$	QTY :
.00 $\pm 0.15$	FINISH :
.000 $\pm 0.075$	SCALE : 5:3
ANGLES $\pm$	
THIRD ANGLE PROJECTION	

FULL RISE ELECTRONIC CO., LTD	
RJ45(LED)	
TITLE STACKED GANGED JACK, 2X4	
DRAWING NO. GE5J3001	SIZE A3
/PART NO. SEE NOTE	REV 13
DO NOT SCALE DRAWING	02/16/05
SHEET 1	OF 1