



Product Description:

- Protection System - Double Gown
- Holds disposable or reusable gowns, aprons, or coveralls/jumpsuits, three boxes of gloves, two boxes of earloop masks, and miscellaneous items
- Keyholes for wall mounting, or door hanger cut out for use with wall or door hanger
- Quartz Beige ABS Plastic

Primary Area for Product Usage:

- Anywhere personal protection equipment is needed

Dispenses:

- Left: Gowns, aprons, or coveralls/jumpsuits no larger than 14.80"W x 15.25"H x 4.50"D (37.6 cm x 38.7 cm x 11.4 cm)
- Top right: Box(es) no larger than 4.88"W x 7.99"H x 4.50"D (12.4 cm x 20.3 cm x 11.4 cm)
- Middle right: Box(es) no larger than 10.00"W x 5.35"H x 4.50"D (25.4 cm x 13.6 cm x 11.4 cm)
- Bottom right: Item(s) no larger than 9.85"W x 6.13"H x 4.50"D (25.0 cm x 15.6 cm x 11.4 cm)

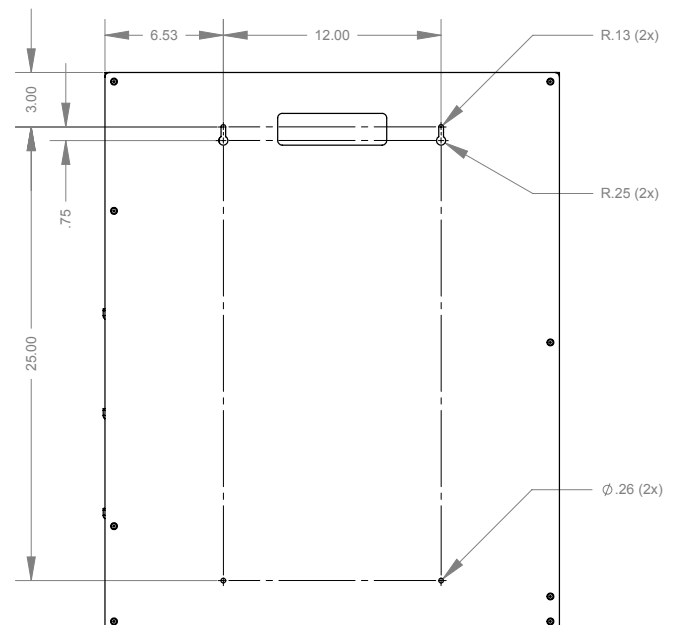
Package Specifications:

- Package Quantity: 1 per case
- 26"W x 32"H x 6"D (66 cm x 81.3 cm x 15.2 cm)
- 13.0 lbs (5.9 kg) - approximated

Product Specifications (overall external dimensions):

- 25.15"W x 30.75"H x 4.75"D (63.9 cm x 78.1 cm x 12.1 cm)
- 9.4 lbs (4.3 kg) - approximated

Mounting Specifications:



Related Products (each sold separately):

- PS014-0212: Protection System - Gloveless (shown below)
- PS015-0512: Protection System - Double Gown

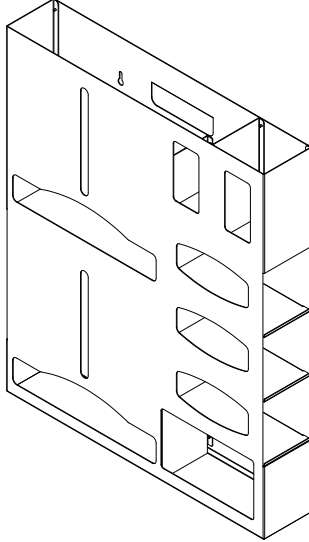




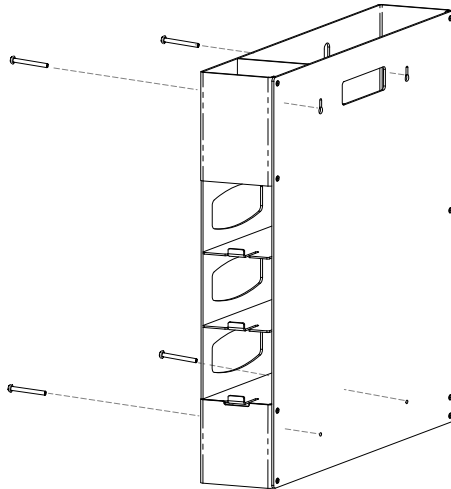
Installation

Always mount dispensers securely *prior* to loading with product.

- Compartments are versatile and will accommodate many different products, such as small wipe canisters, rolled face shields, and folded laundered gowns.

**1**

- Mount securely to a wall with screws approved and supplied by building maintenance.
- Dispenser can be mounted onto a BOWMAN® door or wall hanger through the cutout in the back. (please see chosen hanger's datasheet for details)

**2****Parts included:**

- Dispenser

Tools Required:

- No tools required to assemble dispenser

Care and Construction

ABS Plastic

Material Characteristics

Designed for Long-Term, Heavy-Duty Applications

The combination of copolymers (Acrylonitrile, Butadiene, and Styrene) gives ABS an excellent combination of strength, rigidity, and toughness. The fauxwood finish is ARVINYL laminate created from a semi-rigid film.

ABS is chemical and stress-crack resistant. It is tough, dimensionally stable, and will hold up to long-term use. To ensure product longevity, fauxwood products should not be mounted in very hot or cold areas.

Care and Cleaning

Use mild soap and water to clean. Petroleum-based oils, solvents, and paints should not be used.

Standard hospital cleaning supplies are approved for use on our ABS plastic products.