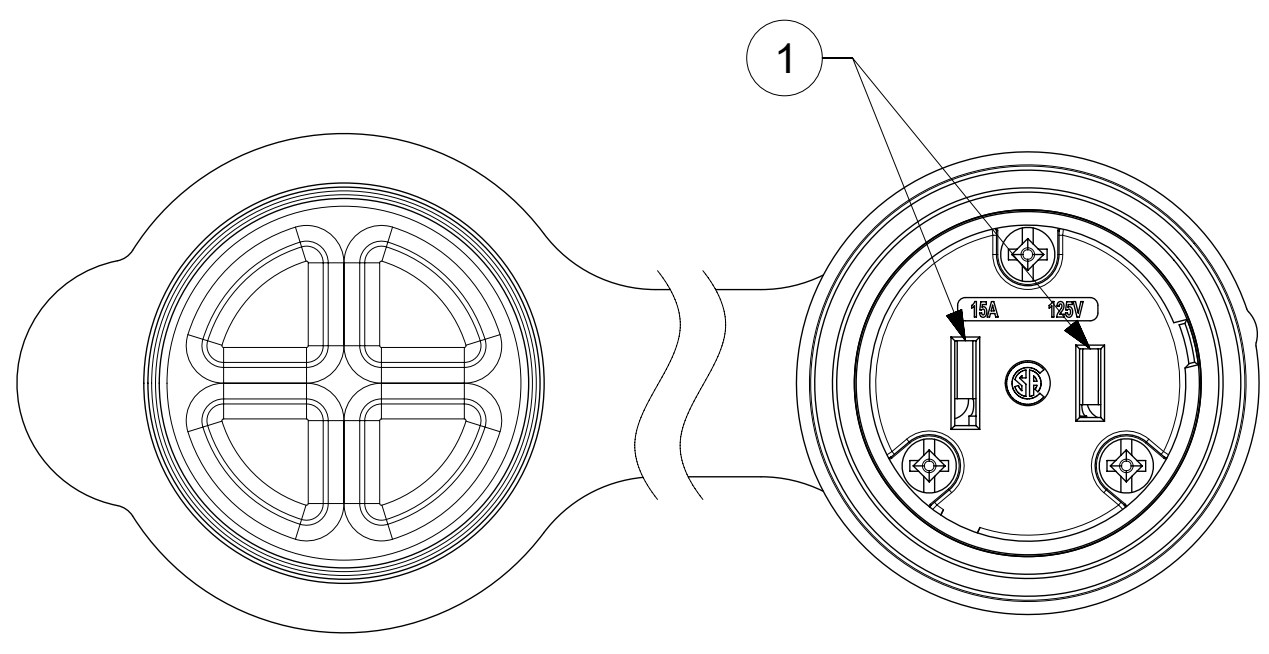
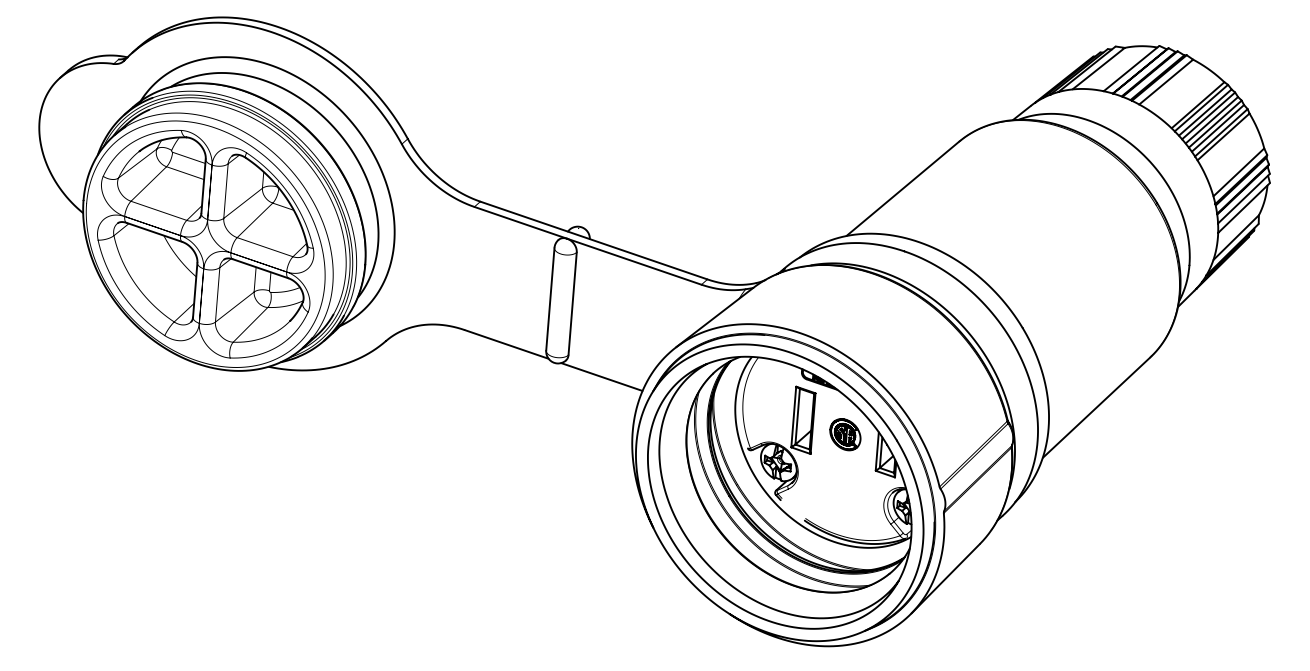
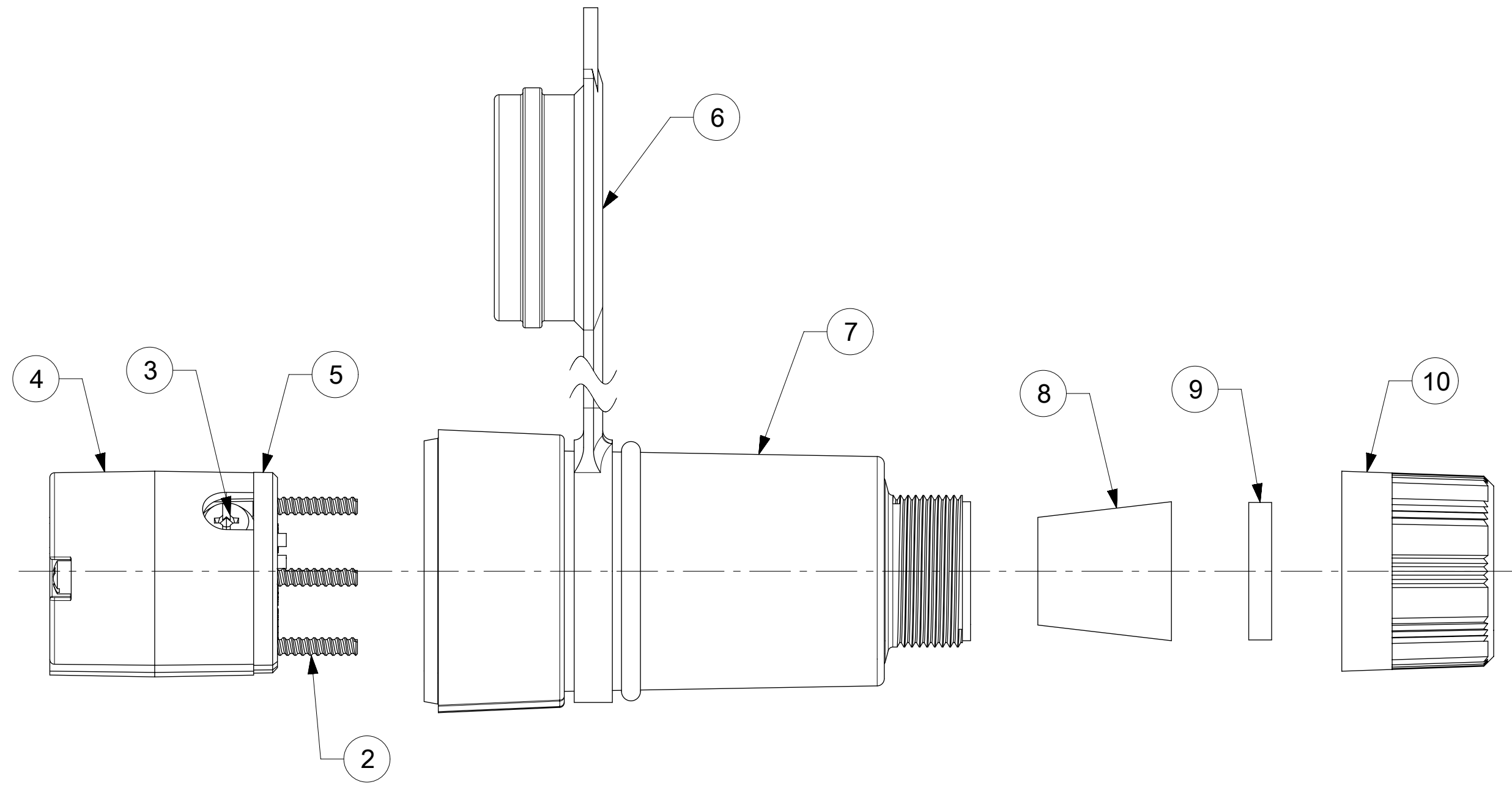
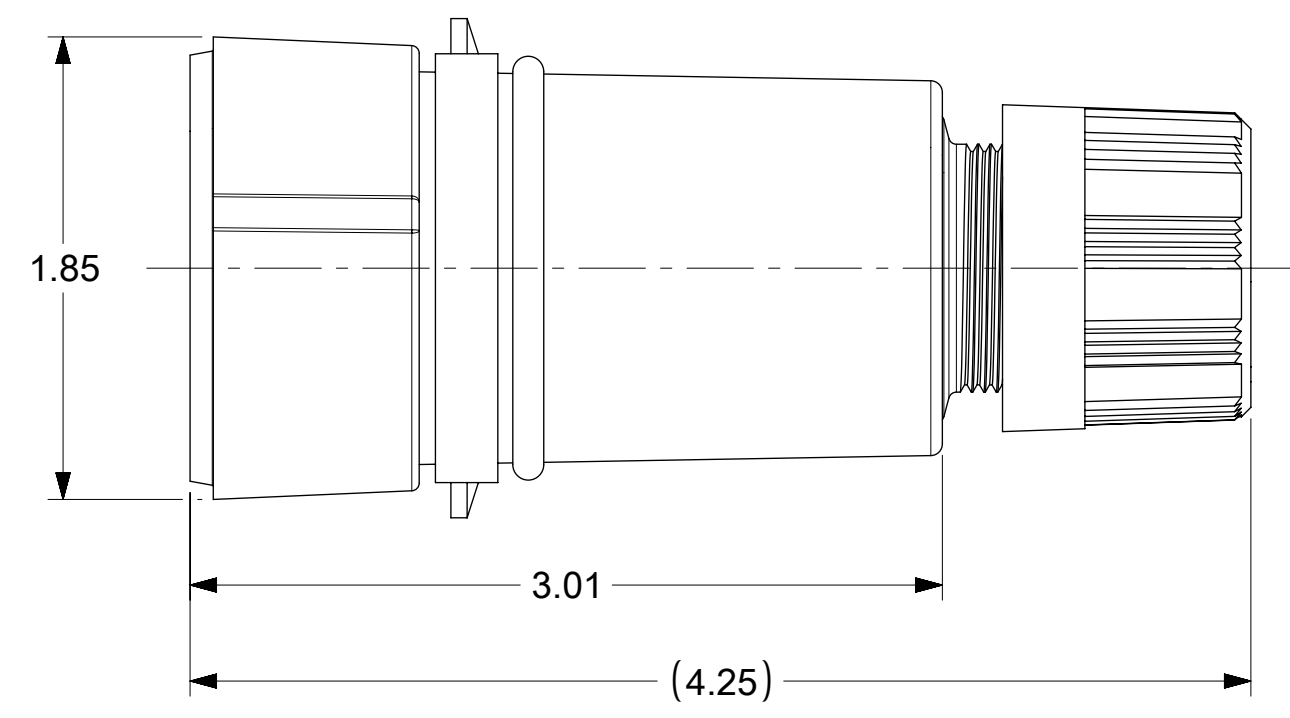


ORDER NO.	WOODHEAD NO.	COLOR
130146-0191	15W04-P	YELLOW



**FACE VIEW**



ITEM NO.	DESCRIPTIONS	MATERIAL	QTY.
1	BLADES	BRASS	2
2	RETAINING SCREWS	STAINLESS STEEL	3
3	TERMINAL SCREWS	BRASS, ZINC PLATED	2
4	INSERT	NYLON	1
5	TERMINAL COVER	POLYCARBONATE	1
6	FLIP COVER	SILICON	1
7	HOUSING	RUBBER WITH NYLON THREAD	1
8	GROMMETS	RUBBER	5
9	FRICTION RING	NYLON	1
10	COMPRESSION NUT	NYLON	1

**NOTES:**  
 1. SEE INSTRUCTION SHEET NUMBER 1301414770 FOR PRODUCT SPECIFICATION.  
 2. CABLE RANGE FROM 0.375" TO 0.625"

<b>SYMBOLS</b> = 0 = 0 = 0 = 0 = 0 = 0 = 0 = 0 = 0 = 0 = 0	THIS DRAWING CONTAINS INFORMATION THAT IS PROPRIETARY TO MOLEX ELECTRONIC TECHNOLOGIES, LLC AND SHOULD NOT BE USED WITHOUT WRITTEN PERMISSION DIMENSION UNITS: <b>INCH</b> SCALE: <b>NTS</b> GENERAL TOLERANCES (UNLESS SPECIFIED) ANGULAR TOL: ± 0.5° 4 PLACES: ± 3 PLACES: ± 0.005 2 PLACES: ± 0.01 1 PLACE: ± 0.02 0 PLACES: ± DRAFT WHERE APPLICABLE MUST REMAIN WITHIN DIMENSIONS	CURRENT REV DESC: RELEASED  EC NO: 613681 DRWN: ABABU01 2018/11/12 CHK'D: DNGUYEN62 2019/03/13 APPR: HKNEELAND 2019/03/21  INITIAL REVISION: DRWN: ABABU01 2018/11/12 APPR: HKNEELAND 2019/03/21	  WATERTITE CONNECTOR, 1-15R  PRODUCT CUSTOMER DRAWING
	DOCUMENT NUMBER: <b>1301460191</b> DOC TYPE: PSD DOC PART: 000 REVISION: <b>A</b>	MATERIAL NUMBER: SEE TABLE CUSTOMER: GENERAL MARKET SHEET NUMBER: 1 OF 1	
	THIRD ANGLE PROJECTION: DRAWING: <b>C-SIZE</b> SERIES: <b>130146</b>		