

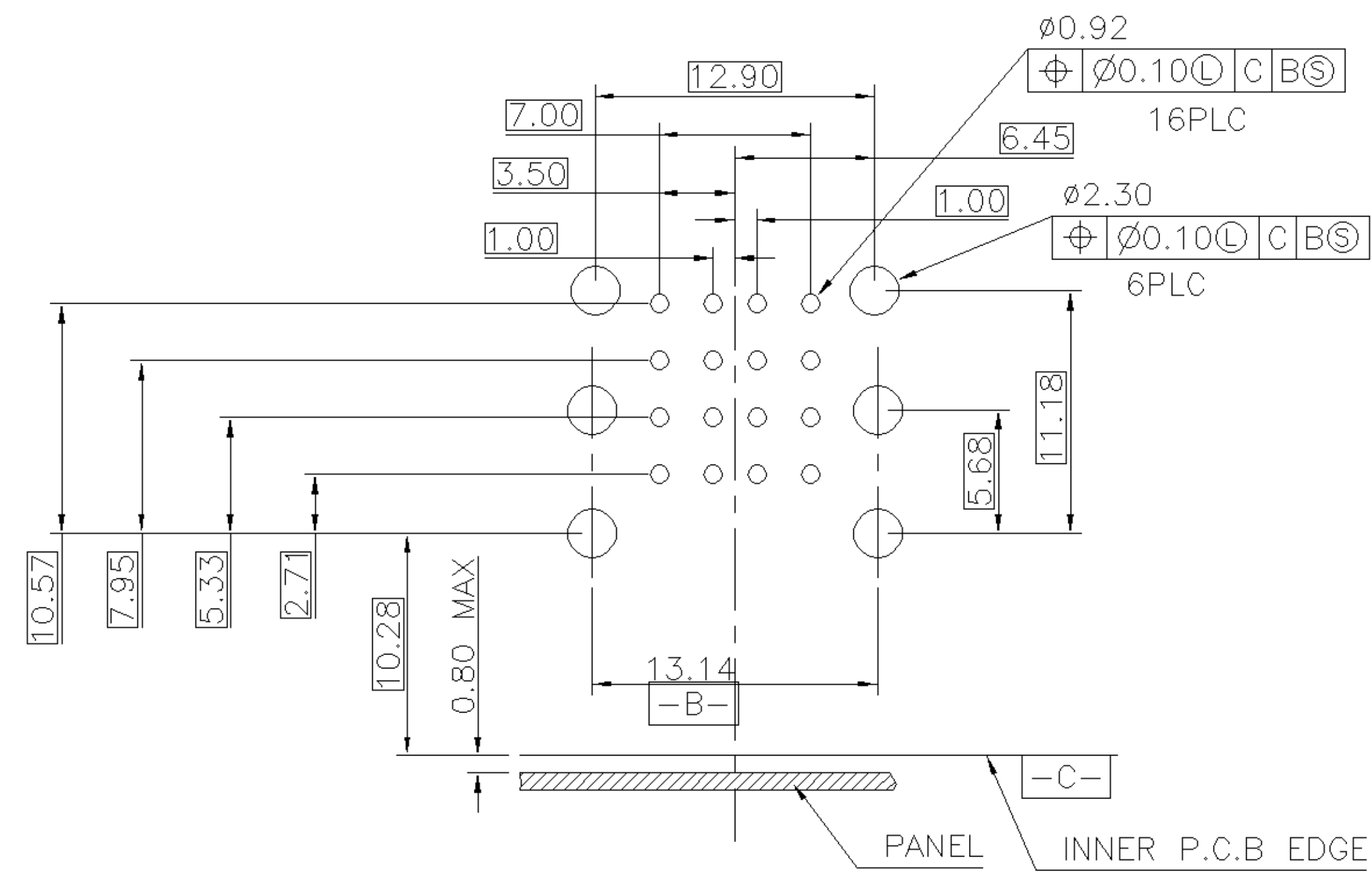
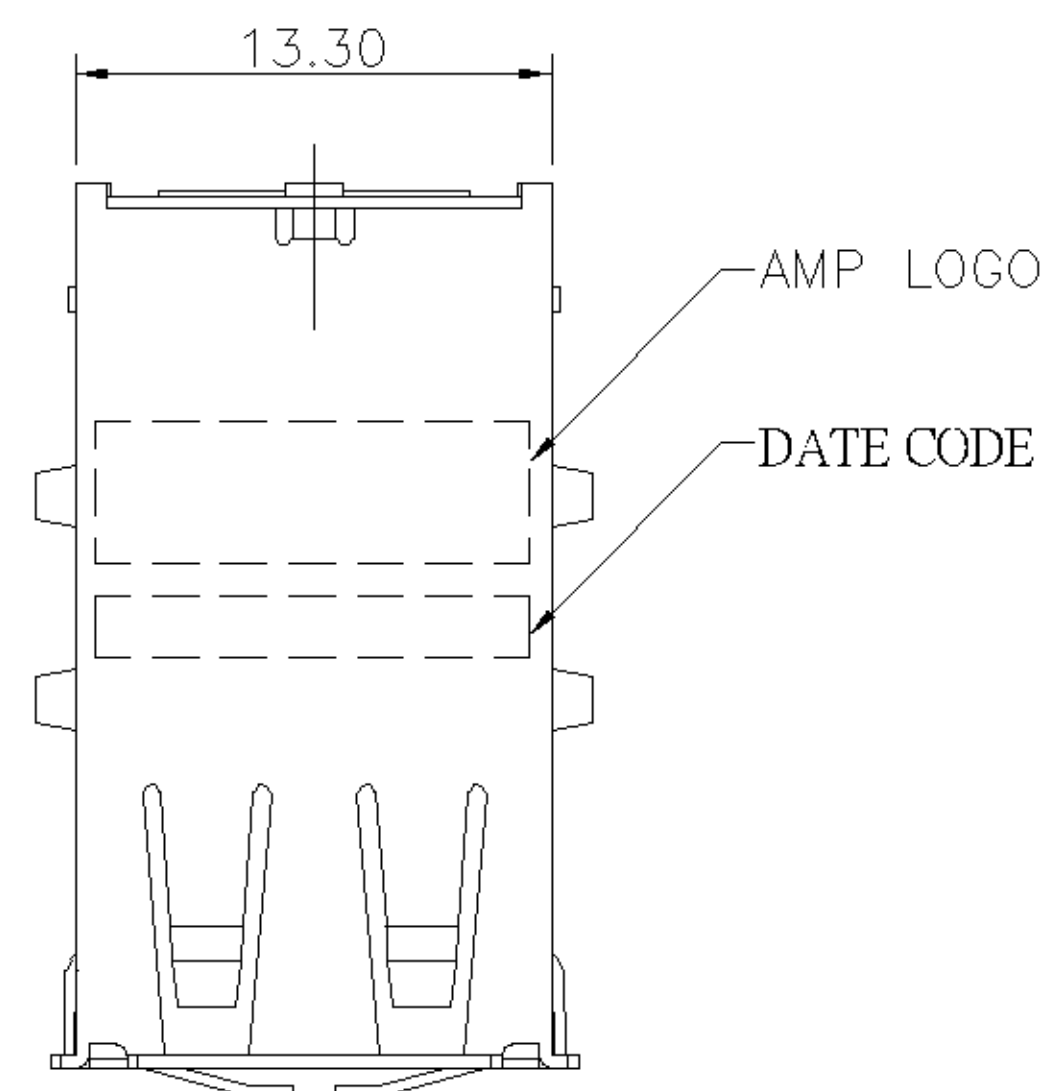
NUMBER  
C-1734383

3RD ANGLE PROJECTION

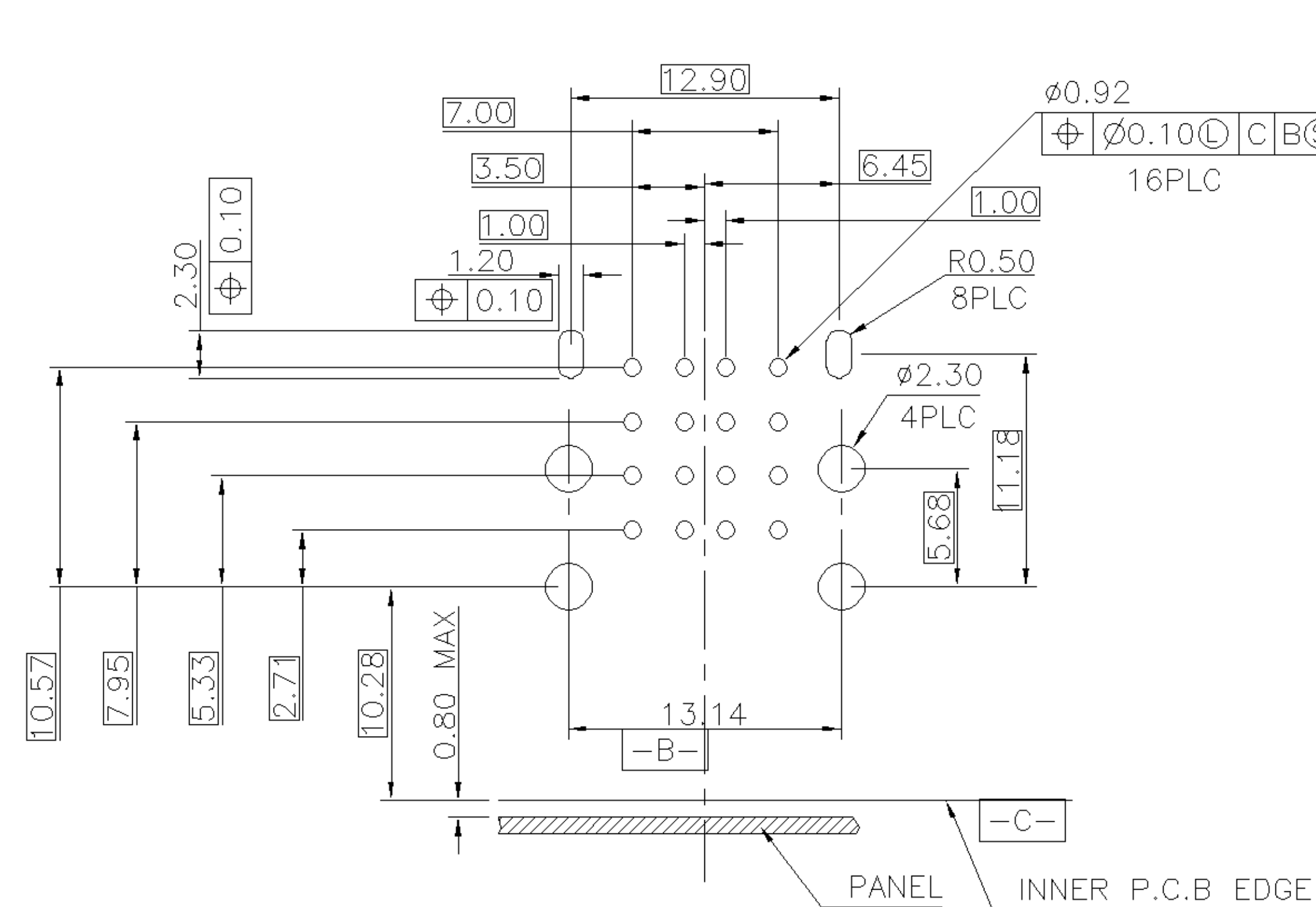
METRIC

THIS INFORMATION IS CONFIDENTIAL AND IS DISCLOSED TO YOU ON CONDITION THAT NO FURTHER DISCLOSURE IS MADE BY YOU TO OTHER THAN AMP PERSONNEL WITHOUT WRITTEN AUTHORIZATION FROM AMP (TAIWAN) LTD. DIMENSIONS IN MILLIMETERS. DO NOT SCALE PRINT.

PRINT  
DW

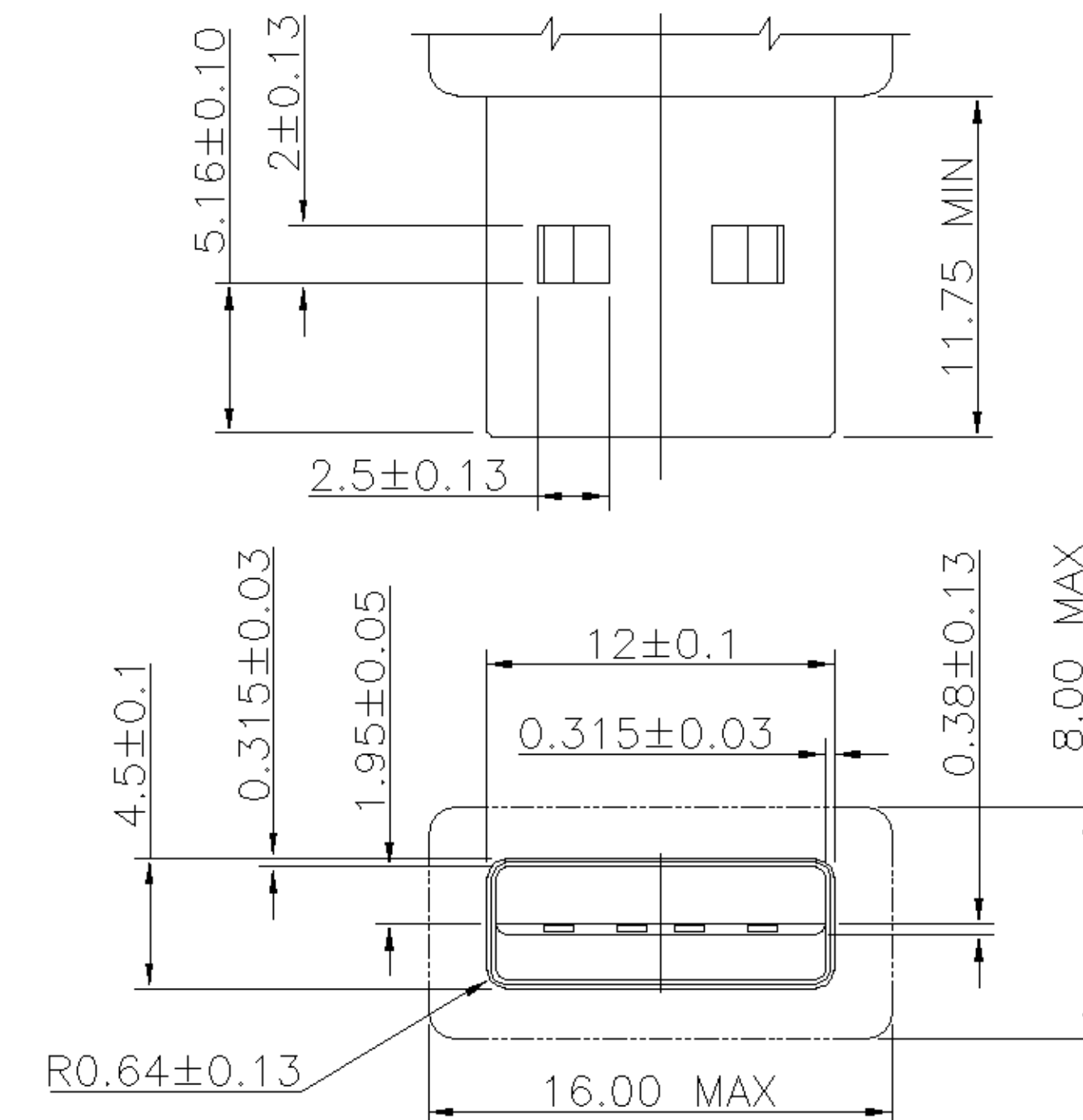
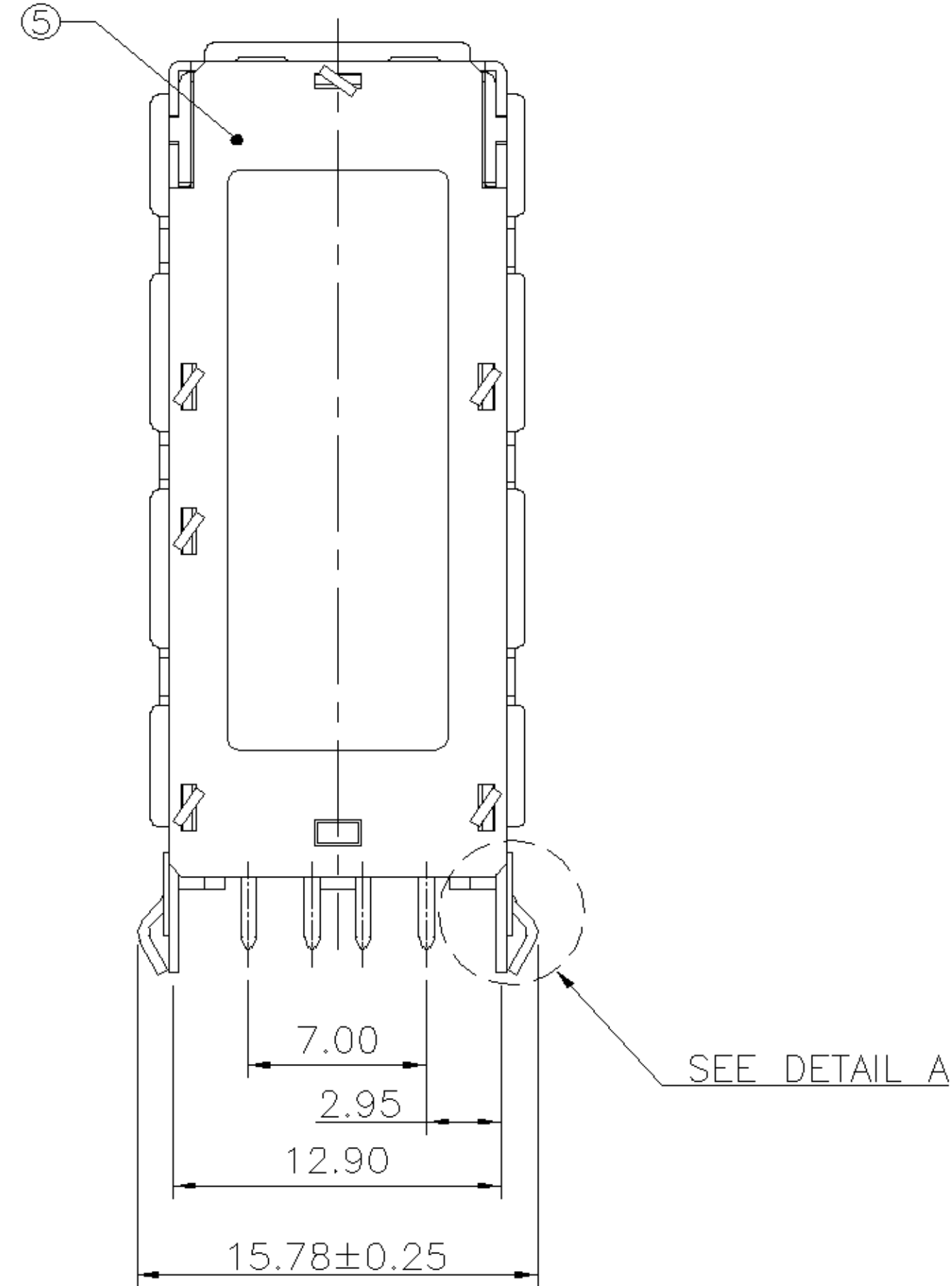
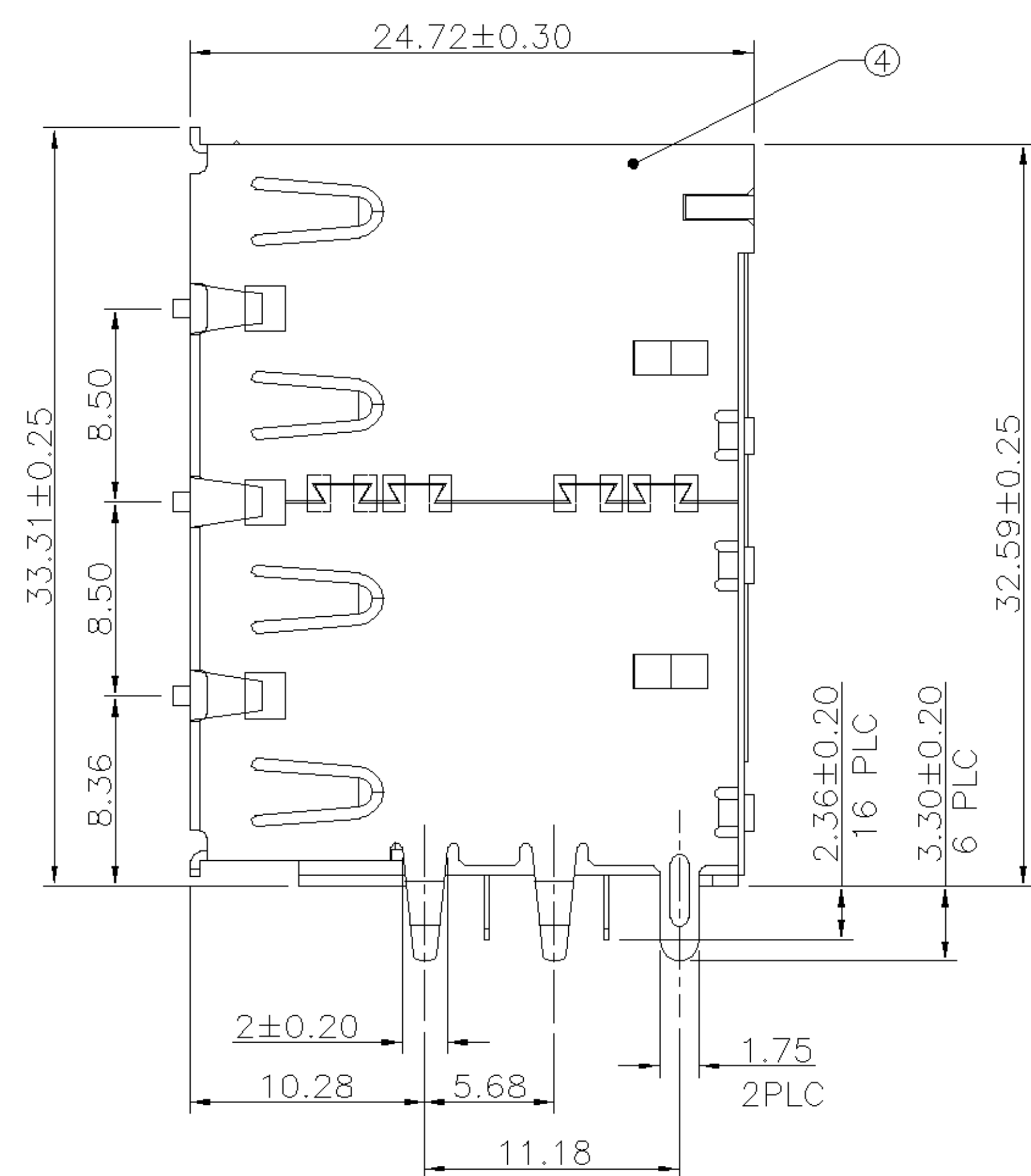
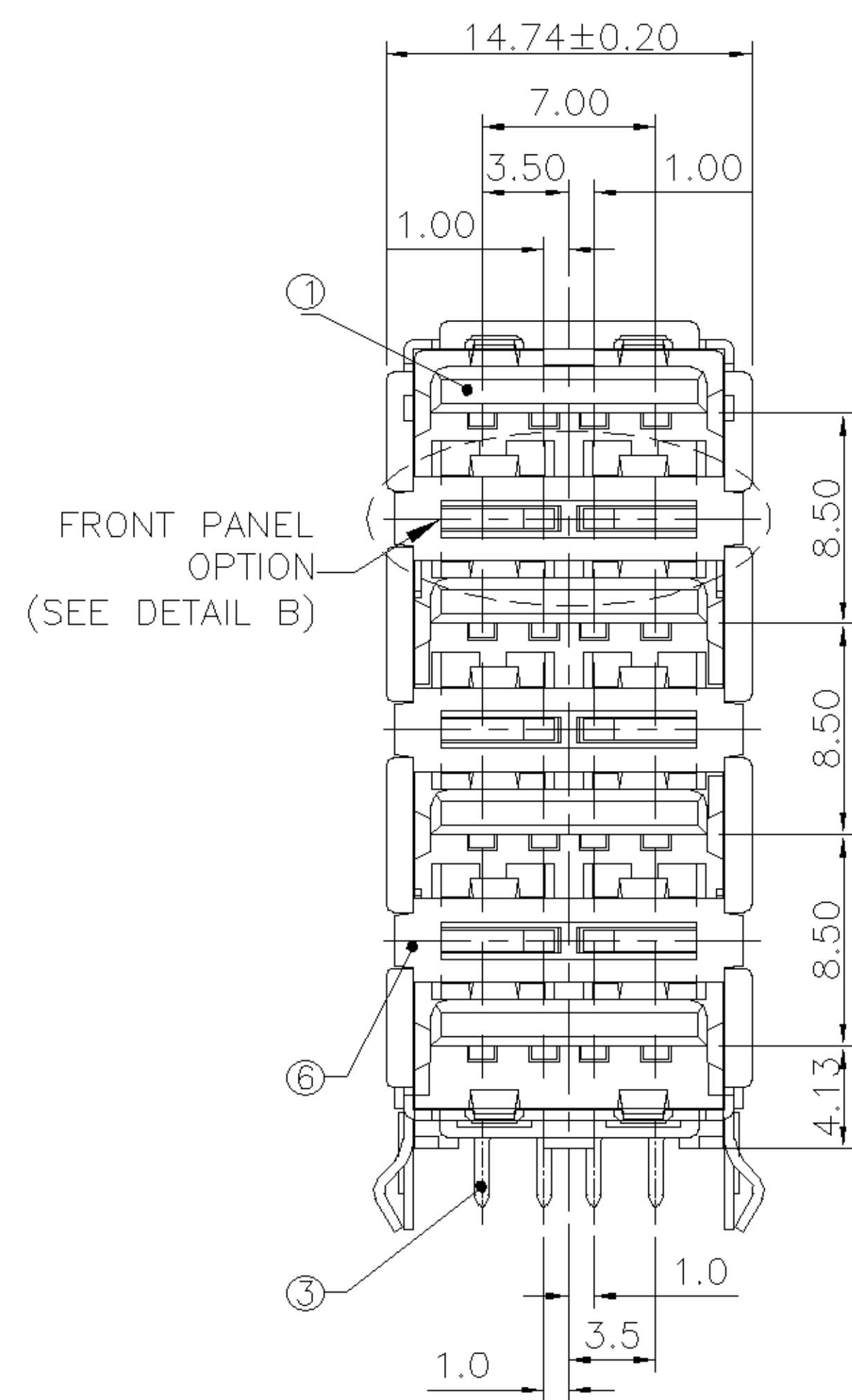


RECOMMENDED P.C.B. LAYOUT (1) (THICKNESS=1.6mm)  
(GENERAL TOLERANCE: ±0.05)

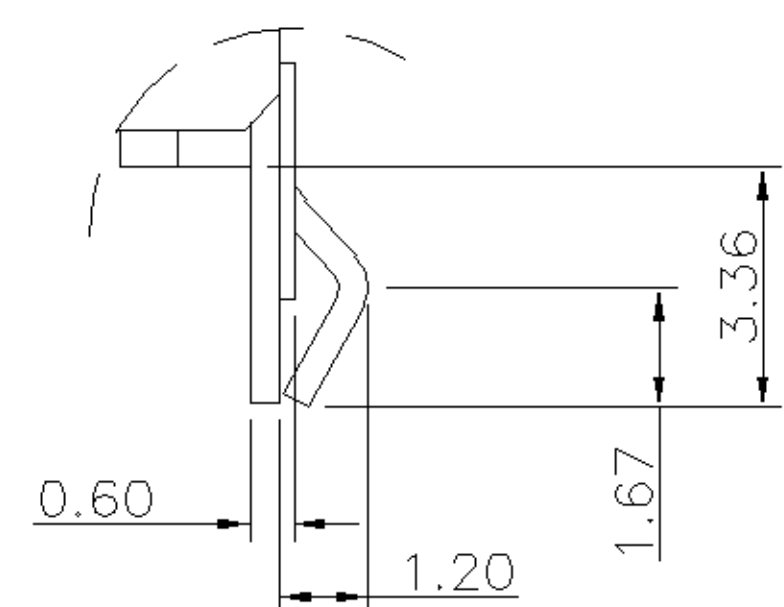
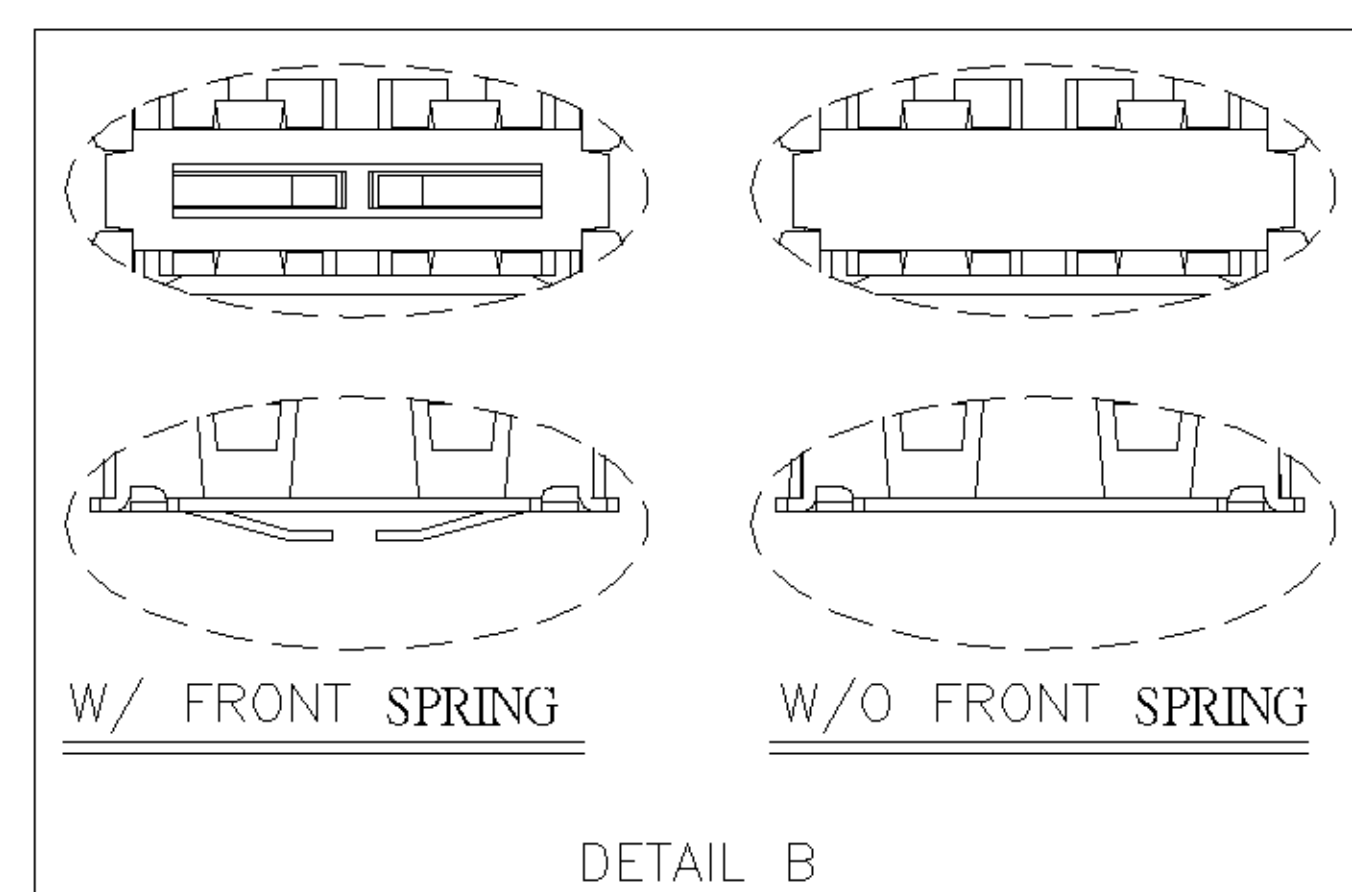
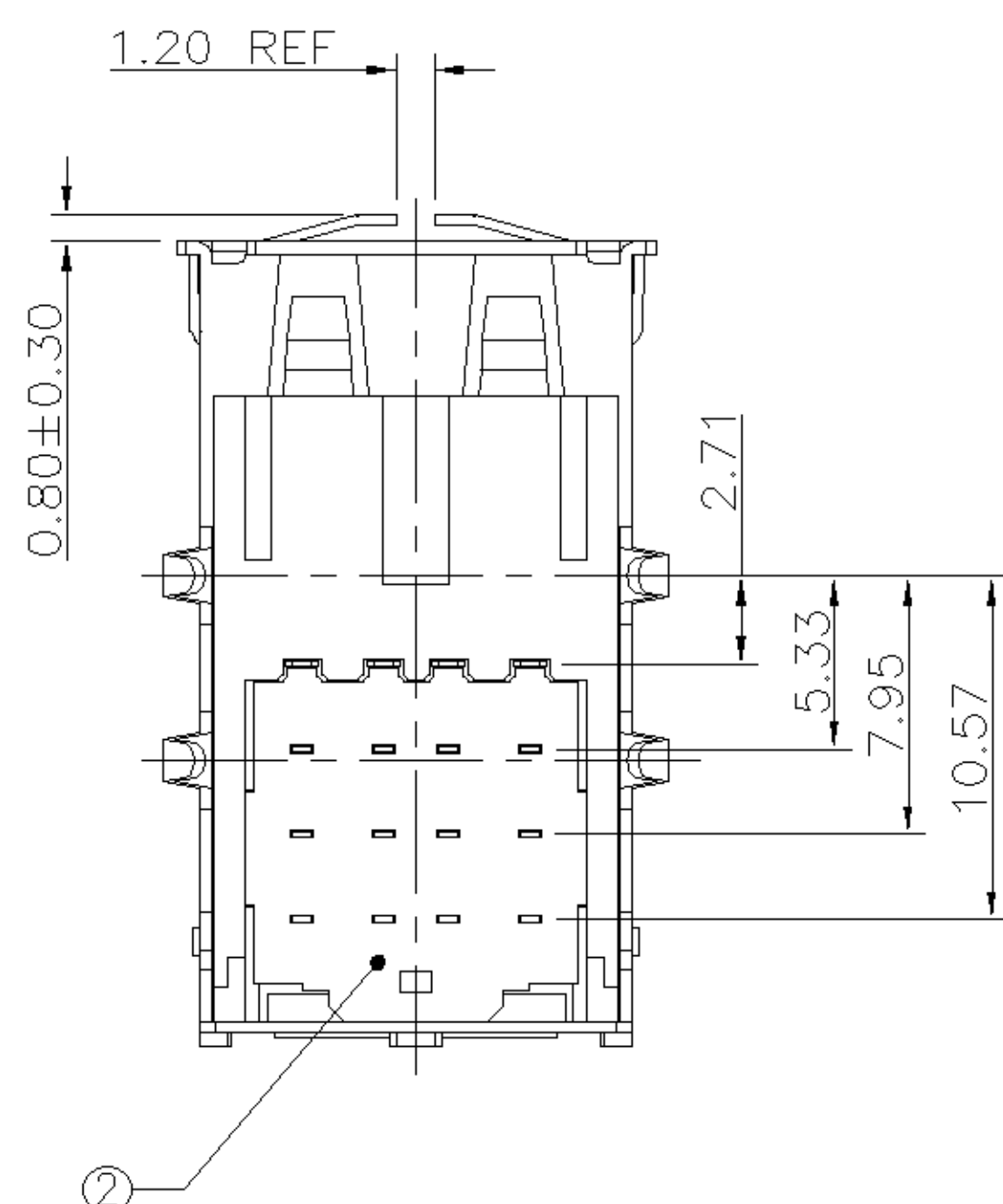


RECOMMENDED P.C.B. LAYOUT (2) (THICKNESS=1.6mm)  
(GENERAL TOLERANCE: ±0.05)

- NOTE:
- MATERIAL:
    - ① HOUSING: THERMOPLASTIC W/ 30% G/F UL 94V-0 ; COLOR: BLACK.
    - ② THERMOPLASTIC HIGH TEMP. W/ 30% G/F UL 94V-0 ; COLOR: BLACK.
    - ③ CONTACT: PHOSPHOR BRONZE
    - ④ FRONT SHIELD: BRASS
    - ⑤ REAR SHIELD: BRASS
    - ⑥ GROUND FINGER: BRASS
  - FINISH:
    - CONTACT : (SEE TABLE) GOLD PLATED IN CONTACT AREA. 150μ"~250μ" TIN ON SOLDER TAILS, 50μ" MIN NICKEL UNDERPLATED ALL OVER.
    - FRONT SHIELD: 100μ" MIN. TIN PLATED ON ENTIRE 50μ" MIN. NICKEL UNDERPLATE OVER ALL.
    - REAR SHIELD: 120μ" MIN. NICKEL PLATED.
    - GROUND FINGER: 100μ" MIN. TIN PLATED ON ENTIRE 50μ" MIN. NICKEL UNDERPLATE OVER ALL. 100μ" MIN. NICKEL UNDERPLATE OVER ALL.
- REFLOW SOLDER CAPABLE TO 260°C PER TYCO SPEC. 109-201, CONDITION B.  
WAVE SOLDER CAPABLE TO 265°C PER TYCO SPEC. 109-202, CONDITION B.



RECOMMENDED USB CABLE



DETAIL A

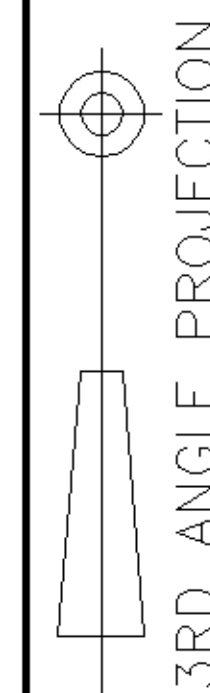
SOLDERING PROCESS	FRONT SPRING	GROUND FINGER	HOUSING MATERIAL	MIN. GOLD THICKNESS	PART NUMBER
⑤	W/O	④	①	30μ"	3-1734383-2
	W/	③	①	30μ"	1-1734383-2
				15μ"	1-1734383-1
⑥	W/	③	②	30μ"	1734383-2
				15μ"	1734383-1

PRINT	DIST	DATE	BY	CHK
A	REVISED PACKING	29 JUN 2005	SH WK	29 JUN 2005
O	FIRST RELEASED	17 SEP 2004	SH WK	17 SEP 2004
LTR	REVISION RECORD		DWN CHK	

TOLERANCES UNLESS OTHERWISE SPECIFIED:	DWN	S. HOU
0 PLC ±		29-JUN-2005
1 PLC ±0.25	CHK	W.J. KE
2 PLC ±0.20		29-JUN-2005
3 PLC ±		
ANGLES ±3°		
MATERIAL	APVD	J. WU
SEE NOTE		29-JUN-2005
FINISH		
SEE NOTE		
WEIGHT		
18 GRAM		

TYCO Electronics		TYCO HOLDINGS (BERMUDA) VII LTD. TAIWAN BRANCH	
RECEPTACLE ASS'Y, FOURFOLD STACKED, THRU-HOLE, RIGHT ANGLE, USB.			
LOC DW	SIZE A <sub>3</sub>	DRAWING NO C-1734383	REV A
SCALE --		SHEET 1 OF 2	

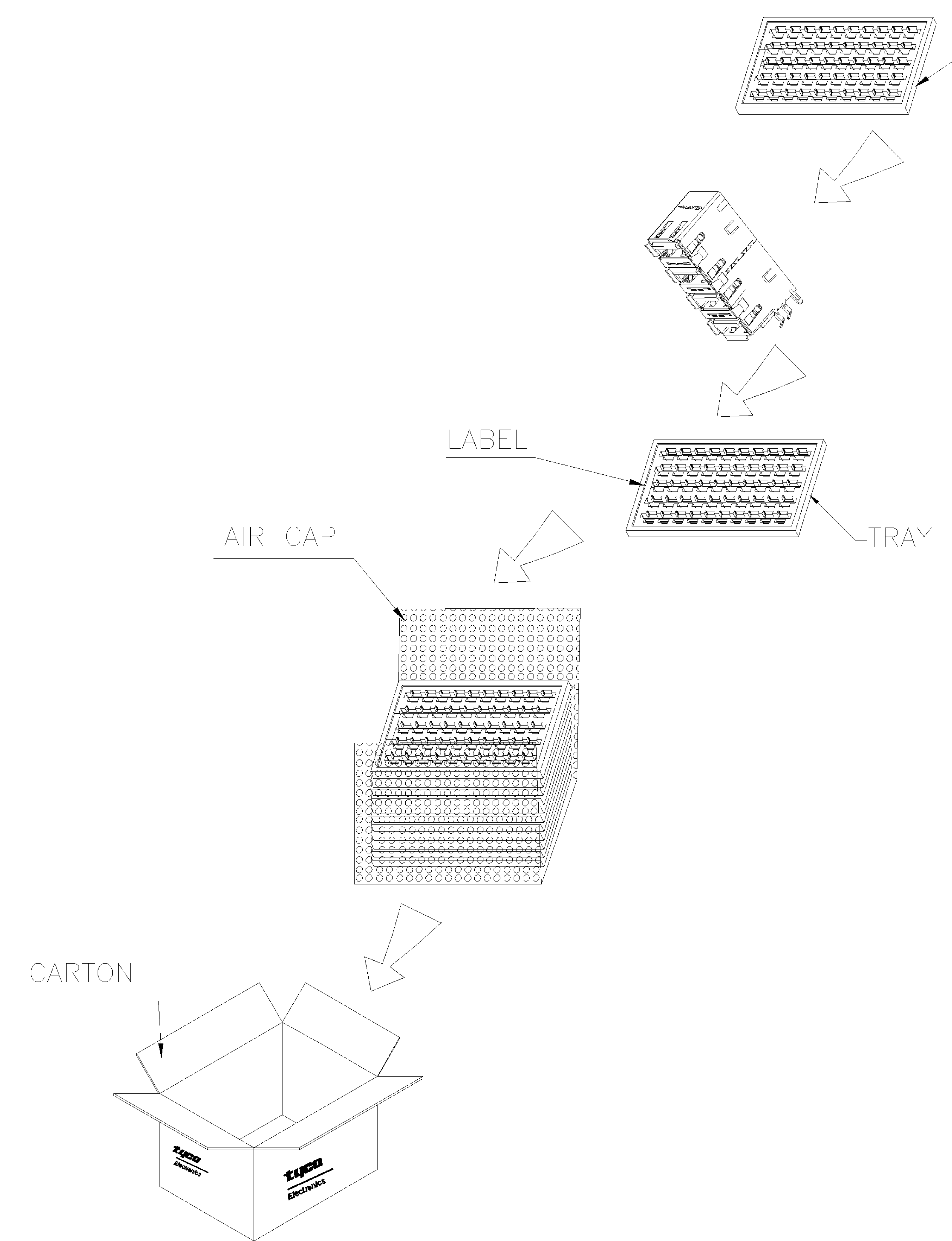
NUMBER  
C-1734383



METRIC

THIS INFORMATION IS CONFIDENTIAL AND IS DISCLOSED TO YOU ON CONDITION THAT NO FURTHER DISCLOSURE IS MADE BY YOU TO OTHER THAN AMP PERSONNEL WITHOUT WRITTEN AUTHORIZATION FROM AMP (TAIWAN) LTD. DIMENSIONS IN MILLIMETERS. DO NOT SCALE PRINT.

PRINT  
DW



- NOTES :
- MATERIAL :
    - TRAY : PS T=0.9
    - SHIPPING CARTON : CORRUGATED FIBERBOARD
  - DIMENSION :
    - TRAY : L=443, W=279, H=38
    - SHIPPING CARTON : L=455, W=300, H=194
  - QUANTITY :
    - PRIMARY PACKING: 50 PCS/TRAY
    - SECONARY PACKING: 4 TRAYS/CARTON(200PCS)
  - WEIGHT :
    - NET WEIGHT : 3.60Kg
    - GROSS WEIGHT : 6.122Kg

8 | 7 | 6 | 5 | 4 | 3 | 2 | 1  
CUSTOMER DRAWING

LTR	SEE SHEET 1.	ECN	DWN	DATE
	REVISION RECORD		CHK	

TOLERANCES UNLESS OTHERWISE SPECIFIED:		DWN	S. HOU	TYCO HOLDINGS (BERMUDA) VII LTD. TAIWAN BRANCH
0 PLC ±			29-JUN-2005	
1 PLC ±		CHK	W.J. KE	
2 PLC ±			29-JUN-2005	
3 PLC ±				
ANGLES ±3'				
MATERIAL	SEE NOTE	APVD	J. WU	RECEPTACLE ASS'Y, FOURFOLD STACKED, THRU-HOLE, RIGHT ANGLE, USB.
		PRODUCT SPEC	29-JUN-2005	
FINISH	SEE NOTE	APPLICATION SPEC		LOC DW
		WEIGHT		SIZE <b>A</b> <sub>3</sub>
				DRAWING NO C-1734383
				REV A
				SCALE --
				SHEET 2 OF 2

D  
C  
B  
A