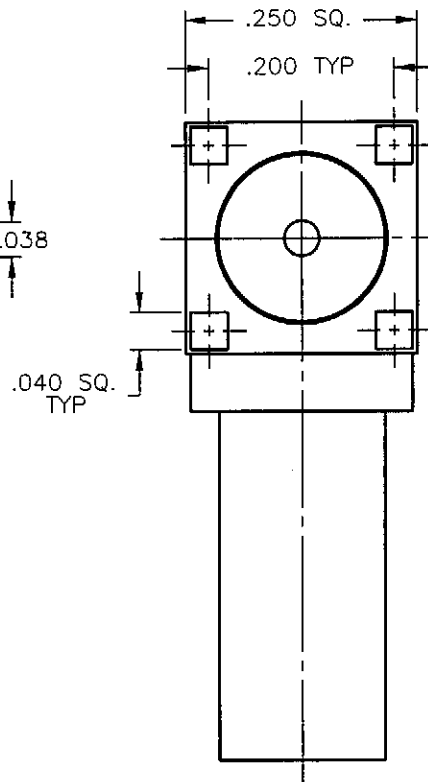
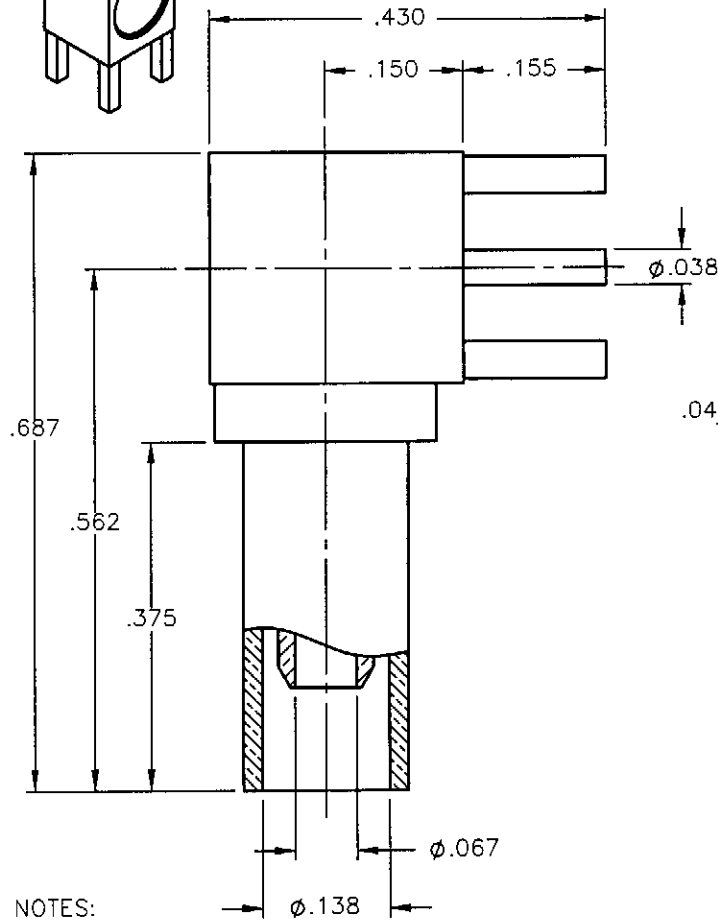
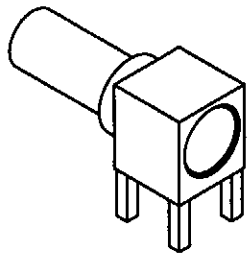


REVISIONS

REV.	DESCRIPTION	DATE	APPROVED
A	INITIAL RELEASE	07/29/08	A.D.M.
B	ECO #7686	08/13/09	A.D.M.



NOTES:

MATERIALS:

- INSULATORS = VIRGIN WHITE TEFLON PER ASTM D1710, GRADE 1, TYPE I, CLASS "B".
- CRIMP SLEEVE = SEAMLESS LOWLEAD BRASS TUBE, ALLOY 330, SOFT ANNEAL TEMPER, .025/.060 GRAIN SIZE OR SEAMLESS COPPER TUBE PER ASTM B75, TYPE C12000, TEMPER: LIGHT ANNEAL O50 EXCEPT YIELD STRENGTH.
- ALL OTHER METAL PARTS = BRASS PER ASTM B16, ALLOY C36000, TEMPER H02.

FINISHES:

- CONTACT = GOLD PLATE PER MIL-G-45204, TYPE II, CLASS 1, GRADE C, OVER .00010 TO .00020 STRESS FREE SULFAMATE NICKEL PER QQ-N-290.
- ALL OTHER METAL PARTS = GOLD PLATE PER MIL-G-45204, TYPE II, CLASS 0, GRADE C, OVER .00010 TO .00020 COPPER STRIKE PER MIL-C-14550.

Property of Radiall Incorporated
 This document cannot be reproduced or
 communicated to a third party without prior
 written permission of RADIALL Incorporated.

UNLESS OTHERWISE SPECIFIED DIMENSIONS ARE IN INCHES TOLERANCES ON	DWN:	DATE
	A.D.M.	07/29/08
DECIMAL	CHKD:	DATE
	G.L.	07/29/08
ANGLE	APVD:	DATE
	J.M.	07/29/08
REFERENCE:	MATERIALS & FINISHES:	
ORIGINATED: A.D.M. DATE: 07/29/08	SEE NOTES	



APPLIED ENGINEERING PRODUCTS
 104 John W. Murphy Dr.
 New Haven, CT 06513

RIGHT ANGLE P.C.B. MOUNT
 CABLE TERMINATION CRIMP TYPE
 FOR RG-316DS & SIMILAR CABLES

SIZE	FSCM NO.	DWG NO.	REV
A	19505	8145-1521-019	B
SCALE 5:1		THIRD ANGLE PROJECTION	SHEET 1 OF 1

8145-1521-019