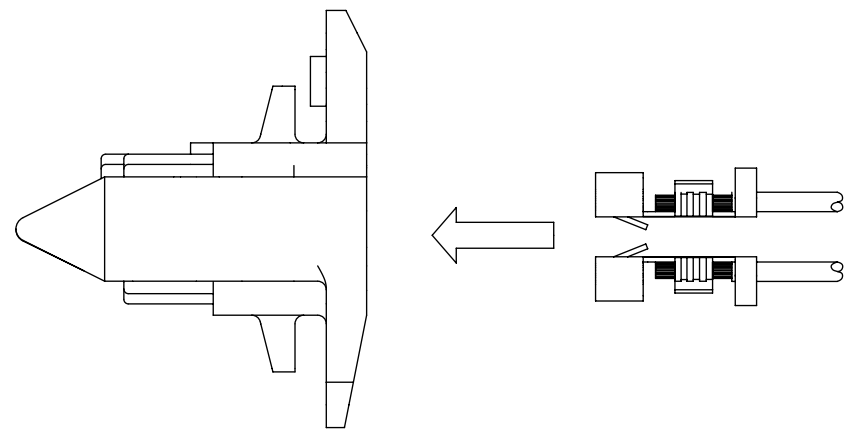
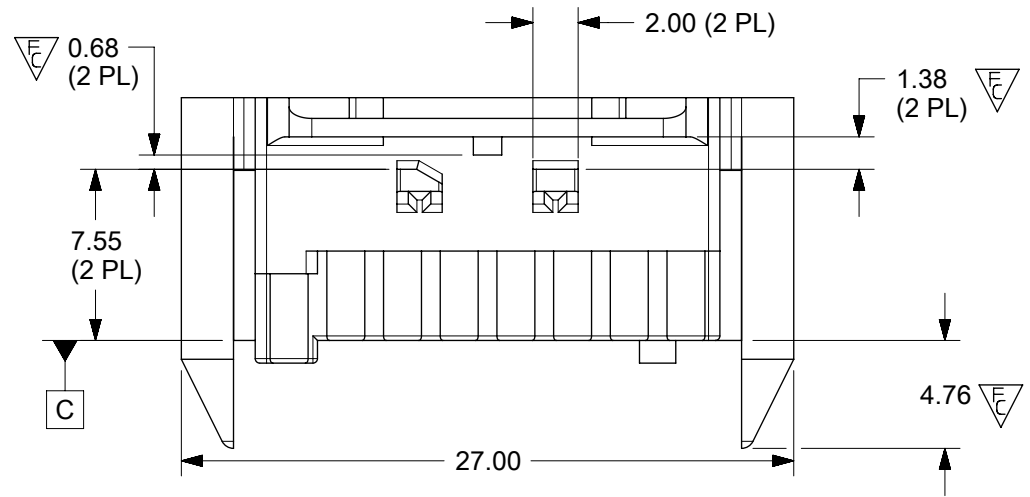
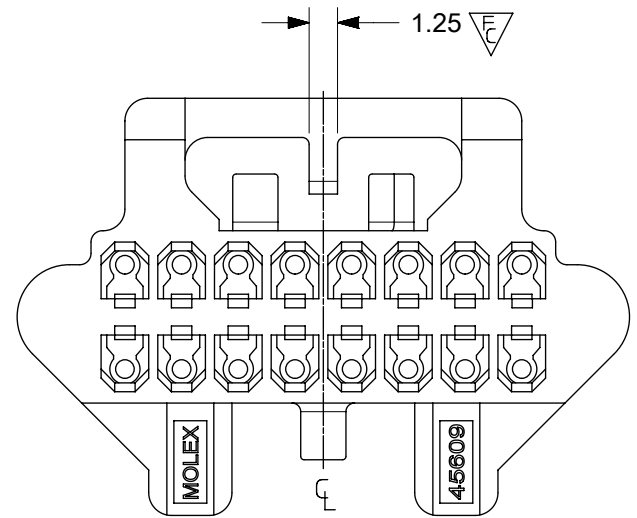
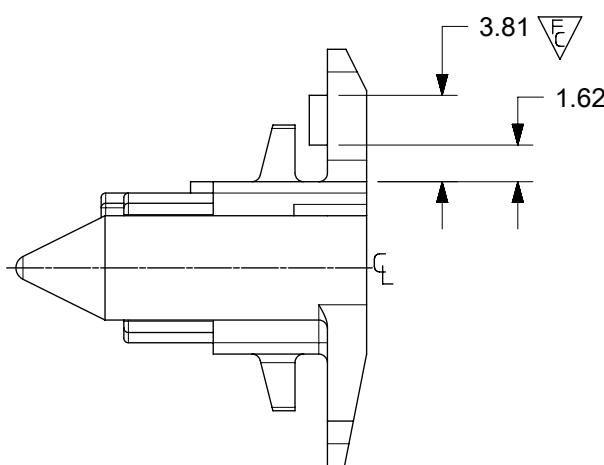
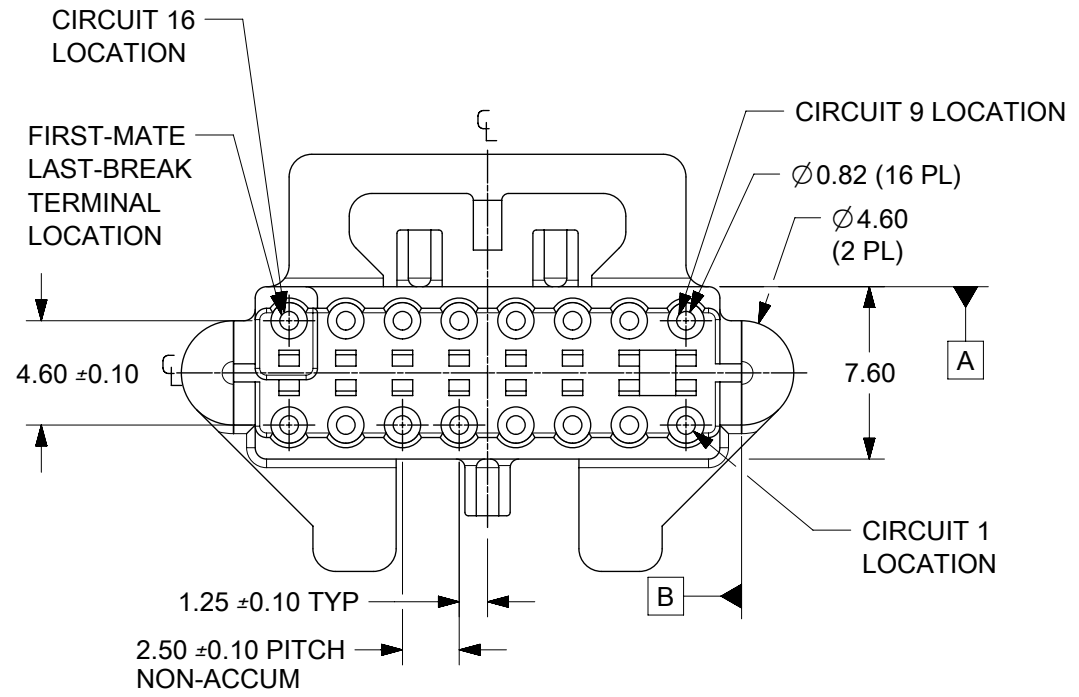


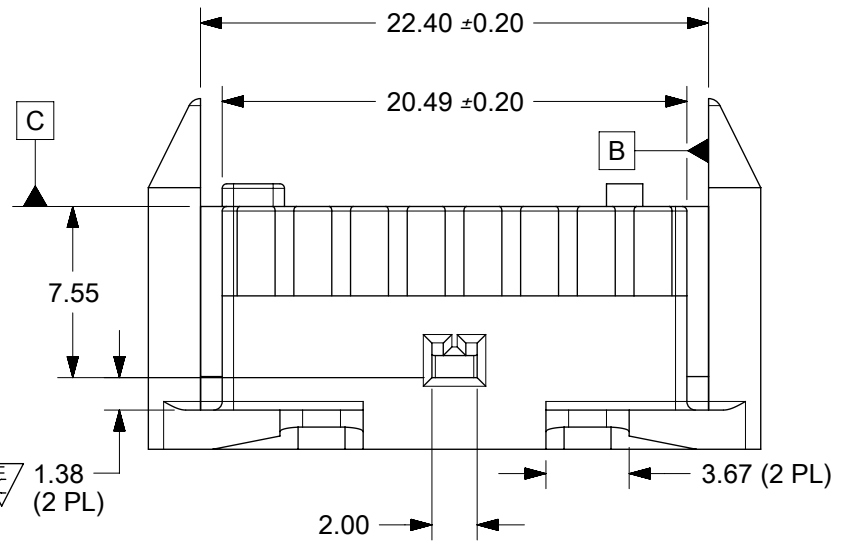
MOLEX P/N	MATERIAL	COLOR	MFLB CKTS
456090001	VALOX 357	BLACK	POSITION 16
456090002	VALOX 357	BLACK	POSITION 8 & 16



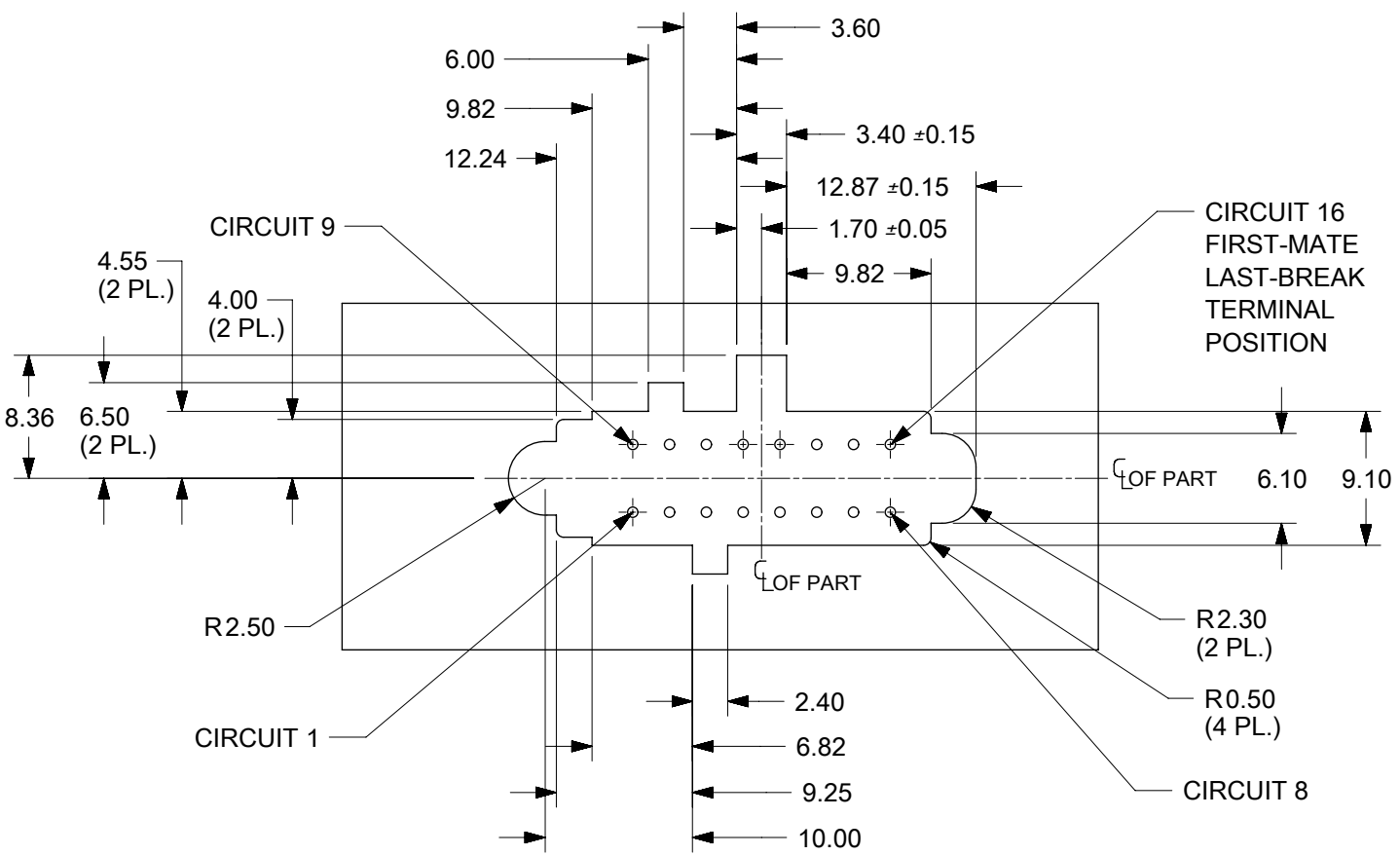
TERMINALS ARE TO BE ORIENTED AND LOADED IN TO THE HOUSING AS SHOWN ABOVE



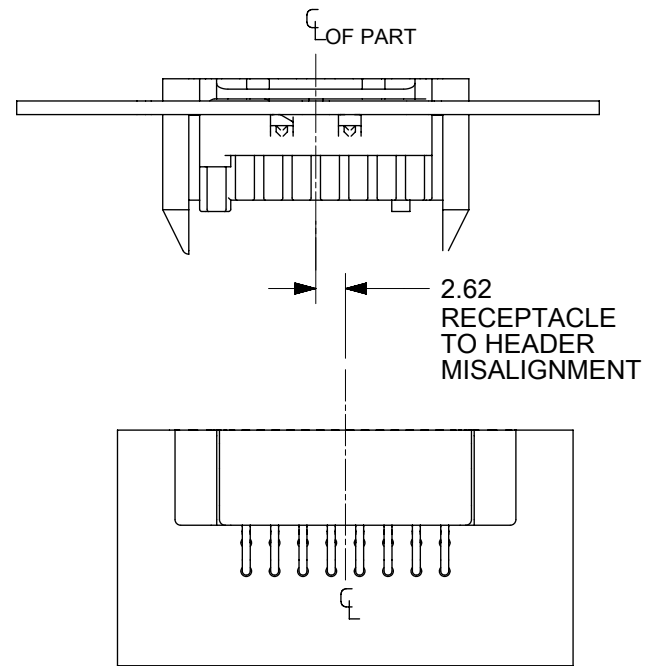
- NOTES:
1. MATERIAL: POLYESTER, UL94V-0, COLOR: BLACK.
 2. PRODUCT SPECIFICATION: TBD.
 3. USE FEMALE CRIMP TERMINAL, 08-70-1047 ONLY. (NOTE ORIENTATION OF TERMINALS)
 4. PART MATES WITH MOLEX HEADER ASSEMBLY SERIES 45608.
 5. PACKAGING: BULK.
 6. SEE PAGE 2 OF 2 FOR PANEL CUTOUT DIMENSIONS AND THE ALLOWED BOARD TO PANEL MISALIGNMENT.



THIS DRAWING CONTAINS INFORMATION THAT IS PROPRIETARY TO MOLEX ELECTRONIC TECHNOLOGIES, LLC AND SHOULD NOT BE USED WITHOUT WRITTEN PERMISSION											
DIMENSION UNITS		SCALE		CURRENT REV DESC:						molex	
MM		3:1									
GENERAL TOLERANCES (UNLESS SPECIFIED)				EC NO: 625546		DRWN: RLALSANGI		2017/08/02		SPOX BMI RECEPTACLE HOUSING DUAL ROW PANEL MOUNT, 16 CKT	
4 PLACES ±		±		CHK'D: ISHWARG		2019/10/18					
3 PLACES ±		±		APPR: ISHWARG		2019/10/18		PRODUCT CUSTOMER DRAWING		DOCUMENT NUMBER	
2 PLACES ±		0.25 ±		INITIAL REVISION:		DRWN: TGREGORI		2003/12/18		SD-45609-001	
1 PLACE ±		0.3 ±		APPR: JCOMERCI		2009/07/24		PSD		001	
0 PLACES ±		±		ANGULAR TOL ± 0.5°		SERIES		45609		REVISION	
DRAFT WHERE APPLICABLE MUST REMAIN WITHIN DIMENSIONS		THIRD ANGLE PROJECTION		DRAWING		MATERIAL NUMBER		CUSTOMER		SHEET NUMBER	
		B-SIZE		SEE TABLE		IBM		1 OF 3			

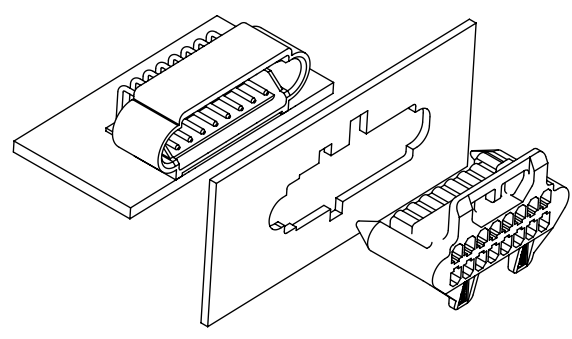


PANEL CUTOUT
PANEL THICKNESS 1.20±0.12mm

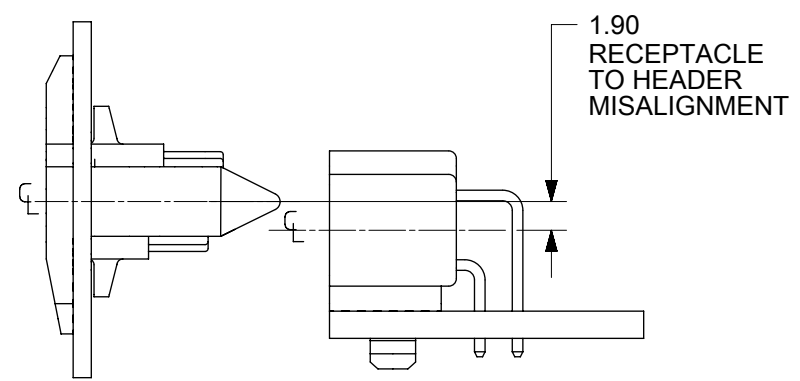


2.62
RECEPTACLE
TO HEADER
MISALIGNMENT

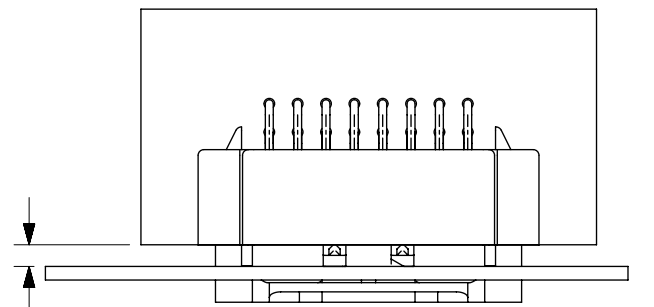
NORMAL PIN-WIPE
MAX=3.43mm
MIN= 2.07mm
FIRST MAKE LAST BREAK-WIPE
MAX=4.48mm
MIN=3.02mm



REAR-ENTRY PANEL MOUNT ISOMETRIC VIEW

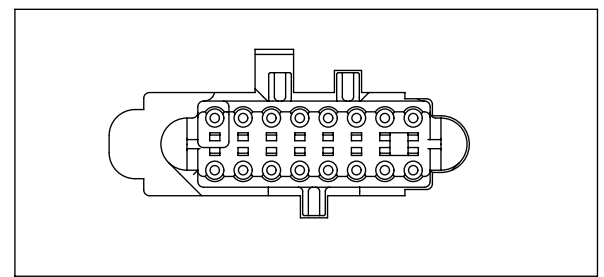


1.90
RECEPTACLE
TO HEADER
MISALIGNMENT

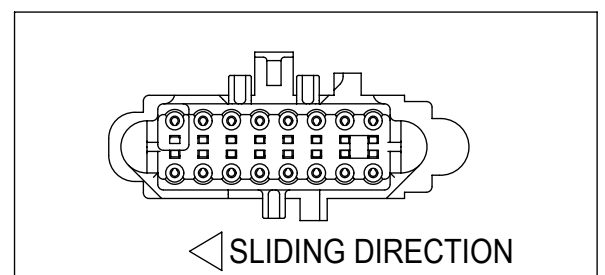


PANEL TO PCB STACK HEIGHT

1.91 +0.23
0



RECEPTACLE
INSERT POSITION

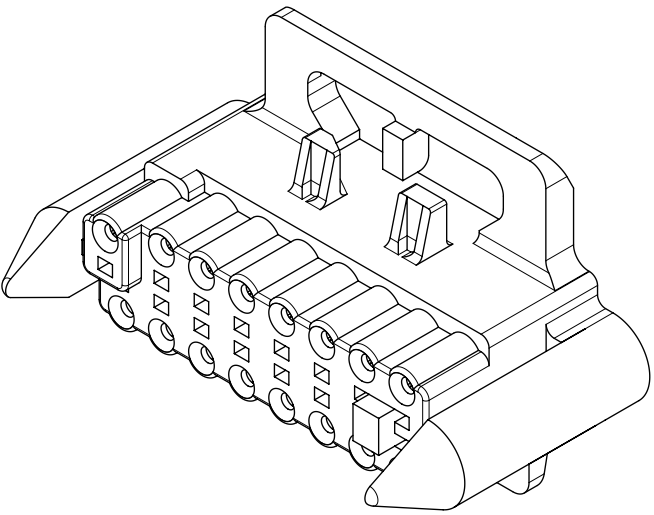
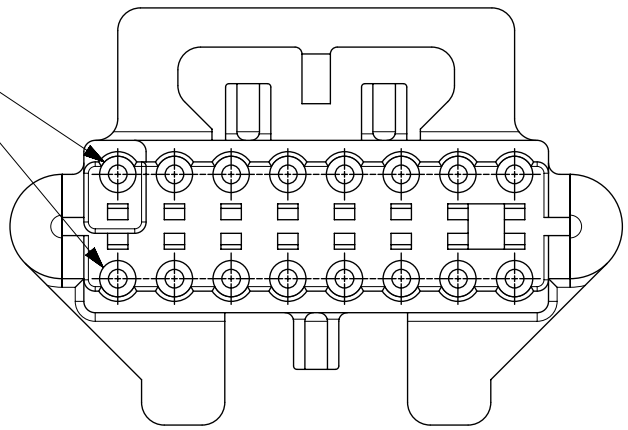


RECEPTACLE SLIDES
INTO MOUNTED POSITION

THIS DRAWING CONTAINS INFORMATION THAT IS PROPRIETARY TO MOLEX ELECTRONIC TECHNOLOGIES, LLC AND SHOULD NOT BE USED WITHOUT WRITTEN PERMISSION															
DIMENSION UNITS		SCALE		CURRENT REV DESC:											
MM		1.5:1		molex SPOX BMI RECEPTACLE HOUSING DUAL ROW PANEL MOUNT, 16 CKT PRODUCT CUSTOMER DRAWING DOCUMENT NUMBER: SD-45609-001 DOC TYPE: PSD DOC PART: 001 REVISION: B3 MATERIAL NUMBER: SEE TABLE CUSTOMER: IBM SHEET NUMBER: 2 OF 3											
GENERAL TOLERANCES (UNLESS SPECIFIED)										EC NO: 625546		DRWN: RLALSANGI 2017/08/02			
4 PLACES ±		±								CHK'D: ISHWARG 2019/10/18					
3 PLACES ±		±								APPR: ISHWARG 2019/10/18					
2 PLACES ± 0.25		±								INITIAL REVISION:		DRWN: TGREGORI 2003/12/18			
1 PLACE ± 0.3		±		APPR: JCOMERCI 2009/07/24											
0 PLACES ±		±													
ANGULAR TOL ± 0.5°				THIRD ANGLE PROJECTION		DRAWING		SERIES							
DRAFT WHERE APPLICABLE MUST REMAIN WITHIN DIMENSIONS						B-SIZE		45609							

MOLEX P/N	MATERIAL	COLOR	MFLB CKTS
456090001	VALOX 357	BLACK	POSITION 16
456090002	VALOX 357	BLACK	POSITION 8 & 16

FIRST MAKE
LAST BREAK
CKTS 8 & 16



THIS DRAWING CONTAINS INFORMATION THAT IS PROPRIETARY TO MOLEX ELECTRONIC TECHNOLOGIES, LLC AND SHOULD NOT BE USED WITHOUT WRITTEN PERMISSION									
DIMENSION UNITS		SCALE		CURRENT REV DESC:				molex	
MM		3:1		EC NO: 625546					
GENERAL TOLERANCES (UNLESS SPECIFIED)				DRWN: RLALSANGI		2017/08/02		SPOX BMI RECEPTACLE HOUSING DUAL ROW PANEL MOUNT, 16 CKT	
		MM	INCH	CHK'D: ISHWARG		2019/10/18		PRODUCT CUSTOMER DRAWING	
4 PLACES		±	±	APPR: ISHWARG		2019/10/18		DOCUMENT NUMBER	
3 PLACES		±	±	INITIAL REVISION:		DRWN: TGREGORI		SD-45609-001	
2 PLACES		± 0.25	±	DRWN: TGREGORI		2003/12/18		DOC TYPE	
1 PLACE		± 0.3	±	APPR: JCOMERCI		2009/07/24		DOC PART	
0 PLACES		±	±					REVISION	
ANGULAR TOL		± 0.5°		THIRD ANGLE PROJECTION		DRAWING		SERIES	
DRAFT WHERE APPLICABLE MUST REMAIN WITHIN DIMENSIONS				THIRD ANGLE PROJECTION		DRAWING		SERIES	
				B-SIZE		45609		MATERIAL NUMBER	
								CUSTOMER	
								SHEET NUMBER	
								3 OF 3	

DOCUMENT STATUS	P1	RELEASE DATE	2019/10/18	08:25:52
-----------------	----	--------------	------------	----------