

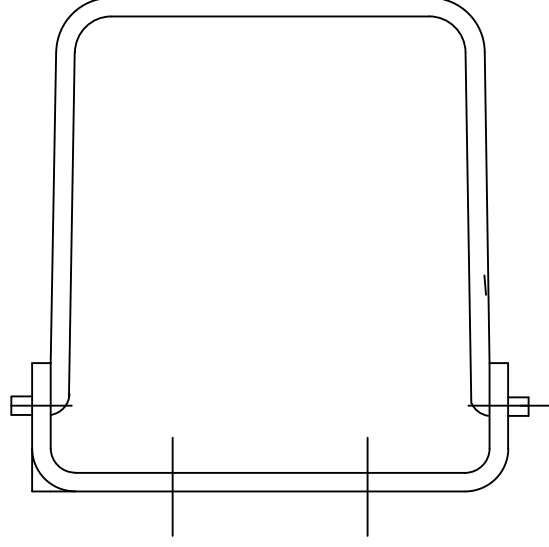
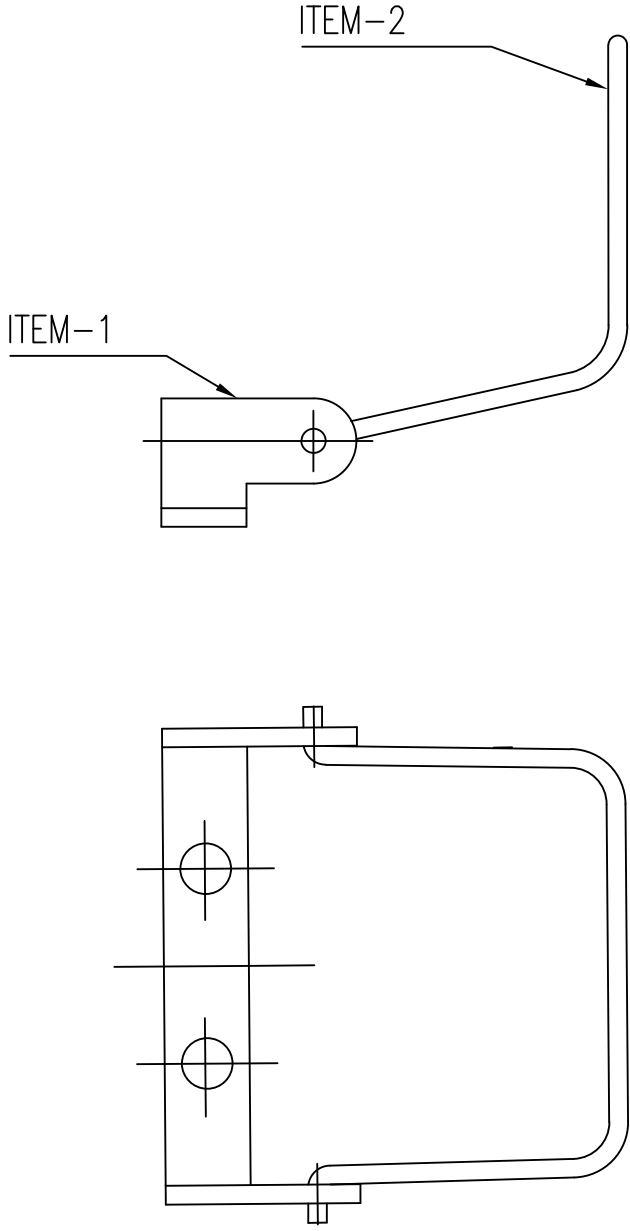


1	2	3	4	5	6	7
CINCH Connectors Ltd. WORKSOP, ENGLAND						
A			JA	77885	00	000
RELEVANT SPEC.			SHEET 1 OF 1			
CAD No. G:JA77885 \			IF IN DOUBT - ASK ALL DIMENSIONS ARE IN mm			
						



CUSTOMER DRAWING ONLY.

THIS DRAWING IS COPYRIGHT AND IS ISSUED ON CONDITION IT IS NOT COPIED, REPRODUCED OR DISCLOSED TO A THIRD PARTY WITHOUT THE CONSENT IN WRITING OF CINCH CONNECTORS LTD. ATTENTION IS DRAWN TO THE FACT THAT THE ARTICLE DISCLOSED MAY BE COVERED BY BRITISH OR FOREIGN PATENTS, GRANTED OR PENDING OR REGISTERED DESIGN.

CODE	DESCRIPTION	FINISH	No. OFF	ISSUE	A	C	D	E	F	G	H	I	J
	CLIP BRACKET	1 <sub>T</sub> E <sub>M</sub>	1	1	15.01.54	26.04.57	R3262	D17159	12.09.13				
TITLE		12 WAY BRACKET AND SPRING CLIP ASSY											
GENERAL TOLERANCE		2 DECIMAL PLACES ± 0.10											
DATE		12.09.13											
MOD No.		1											
ISSUE		1											
FINISH		1 <sub>T</sub> E <sub>M</sub>											
No. OFF		1											
ISSUE		1											
A CUST ISS		15.01.54											
C D		R3262 26.04.57											
C		D17159 12.09.13											
APP'D													
DATE													
MOD No.													
ISSUE													
FINISH													
No. OFF													
ISSUE													
FINISHED HARDNESS													
FINISH TREATMENT													
FINISHED COLOUR													
RAW MATERIAL													
MATERIAL SPEC.													
DATE		12.09.13											
SCALE													
CHD		J.M											
APP'D													