

PPC-4211W

21.5" Fanless Widescreen Panel PC with Intel® Core™ i5-4300U/i3-4010U Processor



Features

- 21.5" true-flat Full HD TFT LCD with projected capacitive or resistive touch control
- High-performance, fanless Intel® Core™ i processor
- 2 x 2.5" HDD bays (with Intel RAID support)
- Supports PCIe x4 or PCI expansion
- RS-485 with automatic data flow control
- Wide input power range (12 ~ 24 V_{DC})
- Dual Gigabit Ethernet with IEEE1588 support
- 3 x Independent displays



Introduction

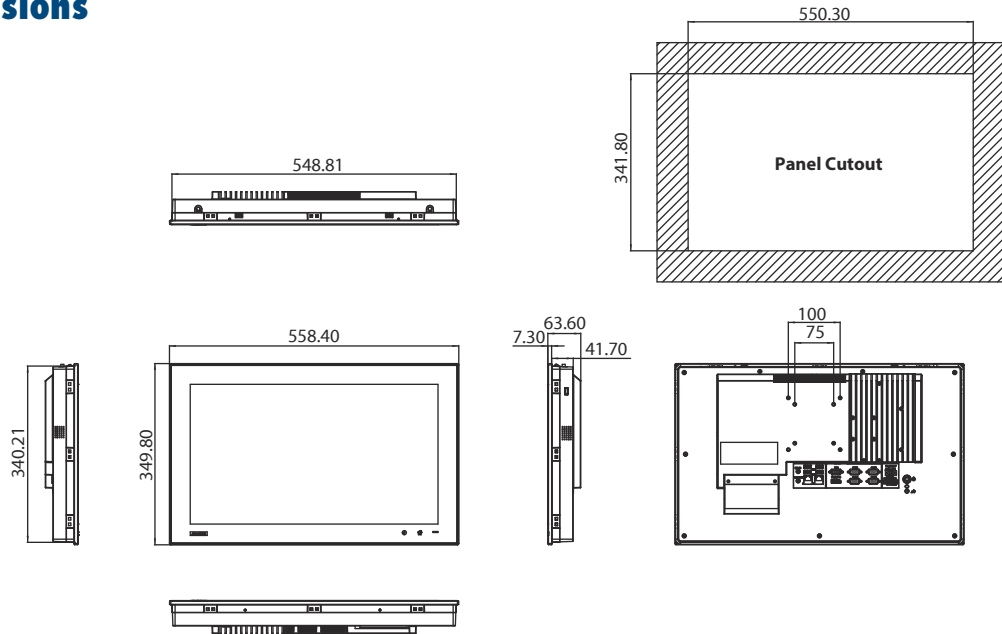
The PPC-4211W is a new-generation panel PC equipped with a 21.5" Full HD TFT LCD with 1920 x 1080 resolution. Powered by a high-performance Intel® Core™ i processor, the system's fanless thermal design ensures any heat is rapidly dissipated with high efficiency, consolidating performance and reliability in one system. The provision of multiple I/O, including 5 x COM, 5 x USB, and dual Intel® Gigabit Ethernet, ensures easy integration and connectivity. With the inclusion of 1 x PCI/PCIe expansion slot, the PPC-4211W can be integrated with fieldbus protocols or proprietary cards for increased application potential. Finally, the touchscreen with 5-point multi-touch control allows for more intuitive operation for an optimal usage experience.

Specifications

Model	PPC-4211W-P5AE	PPC-4211W-R3AE	
System	CPU	Intel® Core™ i5-4300U dual core	Intel® Core™ i3-4010U dual core
	Frequency	1.9 GHz; 2.9 GHz with turbo boost	1.7 GHz
	L2 Cache	3 MB	
	Memory	1 x SODIMM DDR3L 1333/1600 MHz (max. 8 GB) (1.35 V)	
	Storage	2 x 2.5" SATA bay (supports Intel RAID) 1 x mSATA bay	
	Network (LAN)	2 x 10/100/1000 Mbps Ethernet (Intel I211-AT; Intel I218LM)	
	I/O	5 x Serial ports: 4 x RS-232, 1 x RS-422/485 with isolation 1K VDC 4 x USB 3.0 ports in rear side, 1 x USB 2.0 in right side 1 x Line-out, 1x Mic-in 1 x DB15 VGA 1 x Display Port (1.2)	
	Expansion	1 x Mini PCIe 1 x PCIe x 4 (default); 1 x PCI (in the accessory box)	
	Watchdog Timer	255 timer levels, set up by software	
	Speaker	2 x 1W	
Physical Characteristics	Dimensions	557.77 x 349.17 x 63.6 mm (22.0 x 13.7 x 2.5 in)	
	Weight	7.8 kg (17.2 lb)	
OS Support	OS Support	Microsoft® Windows 7/8.1/10 (32/64-bit), WEST, Linux	
Power Consumption	Input Voltage	12 ~ 32 V _{DC}	
	Power Consumption	i5-4300U/i3-4010U: 66W (Burn-in test 7.0 in Windows 7 64 bit)	
LCD	Display Type	21.5" TFT LCD (LED backlight)	
	Max. Resolution	1920 x 1080	
	Viewing Angle	89 (Left), 89 (Right), 89 (Up), 89 (Down)	
	Luminance (cd/m ²)	300	
	Contrast Ratio	5000	
	Backlight Lifetime	50,000 hr (min.)	
Touchscreen	Touch Type	10-point multi-touch projected capacitive	5-wire analog resistive
	Light Transmission	88 % ± 2 %	80% ± 3%
	Controller	USB interface	
Environment	Operating Temperature	0 ~ 50 °C (32 ~ 122 °F)	
	Storage Temperature	-20 ~ 60 °C (-4 ~ 140 °F)	
	Relative Humidity	10 ~ 95% @ 40 °C (Non-Condensing)	
	Shock	Operating 10 G Peak Acceleration (11 ms Duration), Follows IEC 60068-2-27	
	Vibration	Operating Random Vibration Test 5 ~ 500Hz, 1Grms @with HDD; 2Grms @with SSD, Follows IEC 60068-2-64	
	EMC	CE, FCC Class B, BSMI	
	Safety	CB, UL, CCC, BSMI	
	Front Panel Protection	IP65 compliant	

Dimensions

Unit: mm

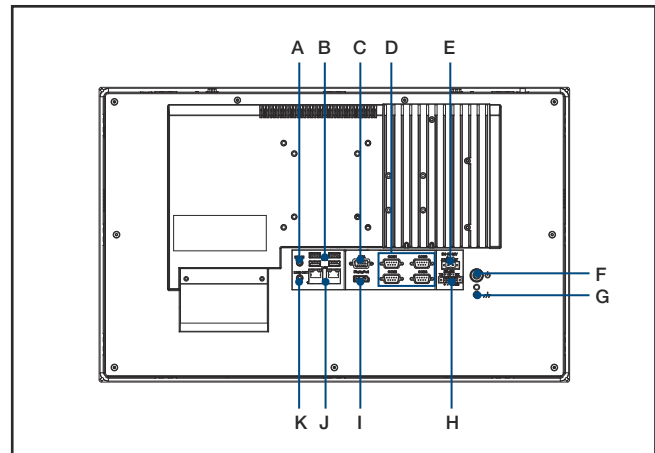


Panel Cutout Dimensions: 550.3 x 341.8 mm (21.66 x 13.45 in)

Ordering Information

Part Number	Description
PPC-4211W-P5AE	21.5" Wide screen PPC with PCT Multi-touch, Intel Core i5-4300U
PPC-4211W-R3AE	21.5" Wide screen PPC with resistive touch, Intel Core i3-4010U
1702002600	Power Cord 3P UL/CSA (USA) 125V 10A 1.83M 180D
1702002605	Power Cable 90D 220V EUROPEAN 250V/6A 1.8M
96CB-POWER-B-1.8M1	POWER CORD for China 1.8M
96PSA-A150W19P2-1	Adapter AC100-240V 150W 19V
PPC-174T-WL-MTE	Wall mount kit for PPC series
PPC-ARM-A03	ARM VESA Standard (A-CLEVER) for PPC series
PPC-WLAN-B1E	Wi-Fi Module with Antenna Cable 40cm for PPC
PPC-STAND-A1E	Stand for PPC Series

I/O View



- A. Mic-in
- B. 4 x USB 3.0
- C. VGA Port
- D. 4 x RS-232
- E. DC Inlet
- F. Power Button
- G. Ground Line
- H. 1 x RS-422/485
- I. Display Port
- J. 2 x 10/100/1000 Mbps Ethernet
- K. Line-out