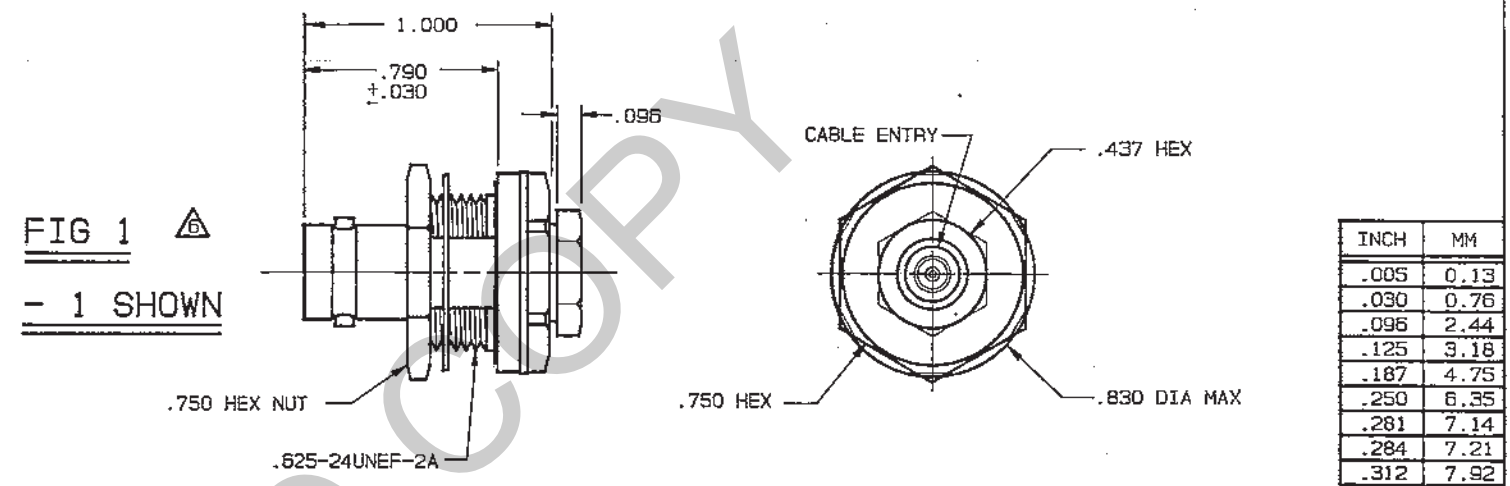
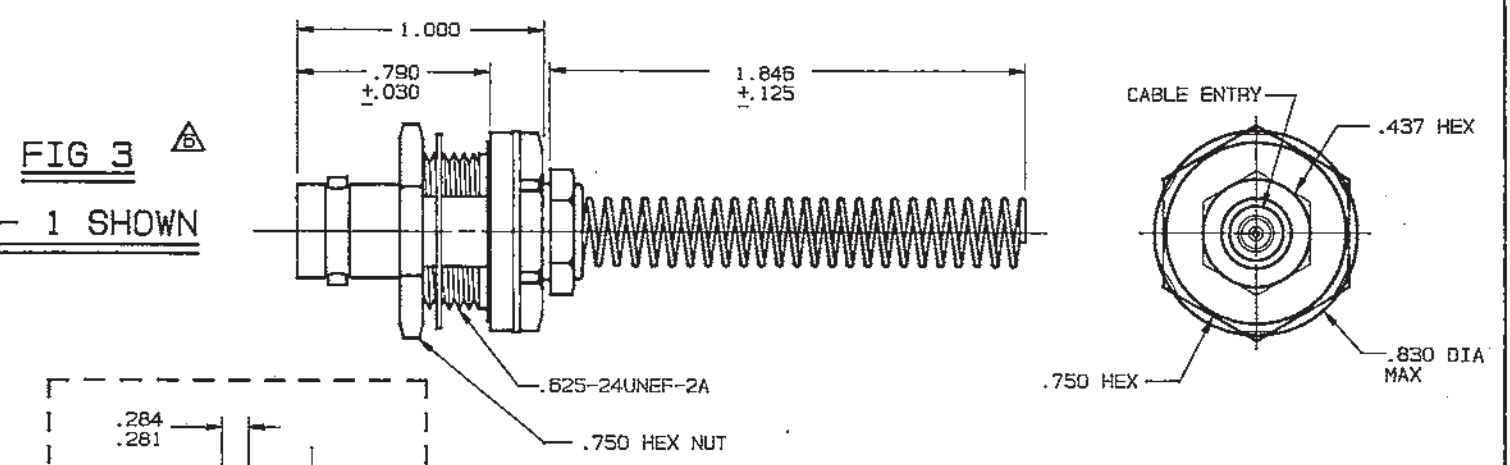
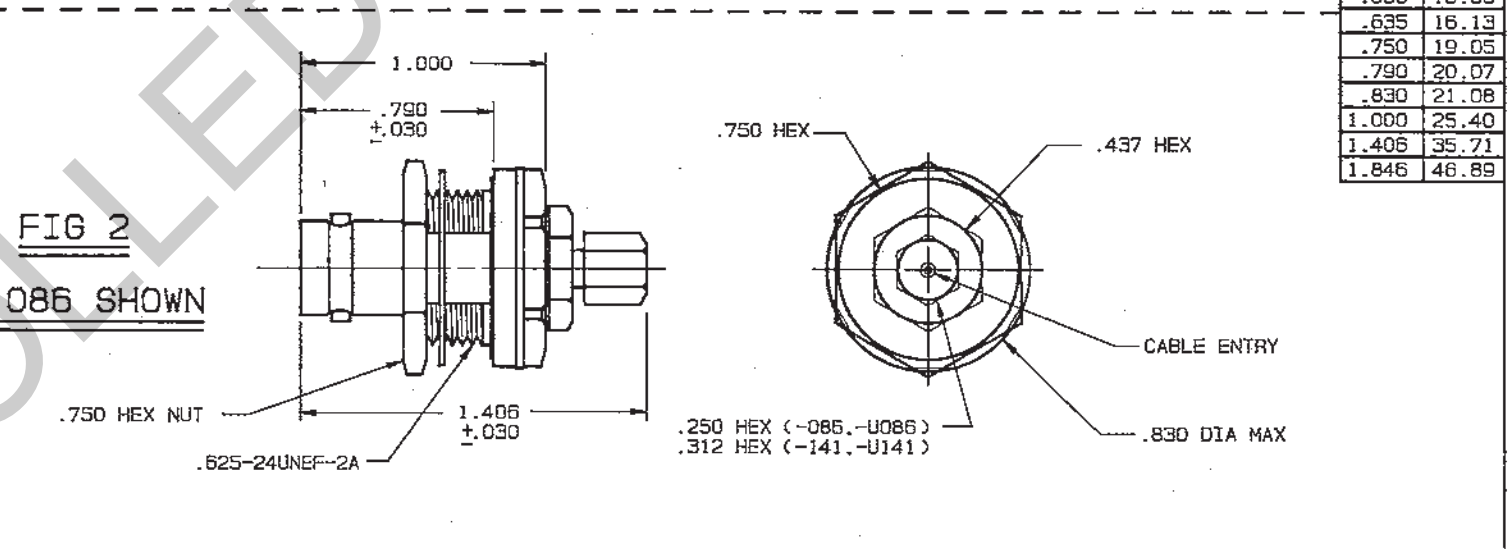


RED INDICATES ORIGINAL

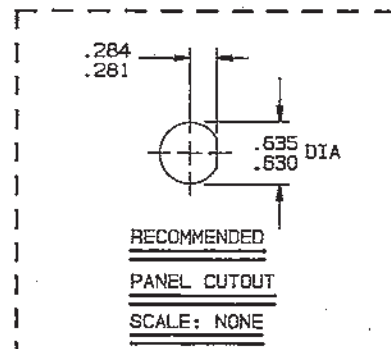
DASH NO	FIG	CABLES ACCOMMODATED	ASSEMBLE PER
-1		RG-58	
-U1		ESSEX 621-715	
-2		RG-59	
-U2			
-2A		BELDEN 8279	
-U2A			
-2B		W.E.CO. 730A	
-U2B			
-3		RG-223	
-U3			
-3A		RG-55	
-U3A			
-4		RG-122	
-U4		BELDEN 8218	
-5		RG-174	
-U5		RG-187	
-5A			
-U5A		RG-196	
-5B		HEWLETT-PACKARD 8120-1107	
-U5B			
-21	1.3	RG-303	TAI-101
-U21			
-22		RG-180	
-U22			
-31		GRUMMAN GC875GP1	
-U31		RG-187 DBL SHLD	
-34		BELDEN 8228	
-U34			
-36		275-3991 MICRODOT	
-U36		616-569 AMPEX	
-37		810 RAYCHEM	
-U37			
-41		RG-304	
-U41		9248 BELDEN	
-44		BRAND-REX B749	
-U44		GORE C06C032	
-53		89555 BELDEN	
-U53			
-63		734A, AT&T	
-U63			
-086		RG-405	TAI-130
-U086			
-141	2	RG-402	
-U141			



INCH	MM
.005	0.13
.030	0.76
.096	2.44
.125	3.18
.187	4.75
.250	6.35
.281	7.14
.284	7.21
.312	7.92
.437	11.10
.630	16.00
.635	16.13
.750	19.05
.790	20.07
.830	21.08
1.000	25.40
1.406	35.71
1.846	46.89



- IF BEND RELIEF SPRING REQUIRED (FIG 3) ADD SUFFIX "BR" TO MODEL NO (NOT AVAILABLE WITH CABLE GROUPS -63, -U63, -086, -U086, -141 & -U141)
- FEMALE TYPE BNC COAXIAL INSULATED BULKHEAD JACKS, BOTH 50 & 75 OHM VERSIONS
 - MAX PANEL THK .187
 - DASH NO DENOTES CABLE GROUP EXCEPT "U" PREFIX DENOTES 75 OHM VERSION
 - FINISH: TFS-1A (NICKEL)
 - ALL DIM ARE IN INCHES



QTY	DESCRIPTION	PART NUMBER	ITEM
110-0002	TOL UNLESS SPECIFIED		
105-0717	.XX ±		
105-0623	.XXX ± .005		
305-0361	ANGLES		
155-0393	DWN DKC 7-1-91		
108-1016	CHK B.M. 7-19-91		
NEXT ASSY	ENGR		
	APPR JF 7-22-91		

TROMPETER RF connectivity		BJ26/UBJ26 BJ26BR/UBJ26BR	
MATERIAL	CODE IDENT	DRAWING NO.	REV
	14949	1-0341	T
SCALE 2/1	DATE 10/13/89	SHEET 1 OF 2	