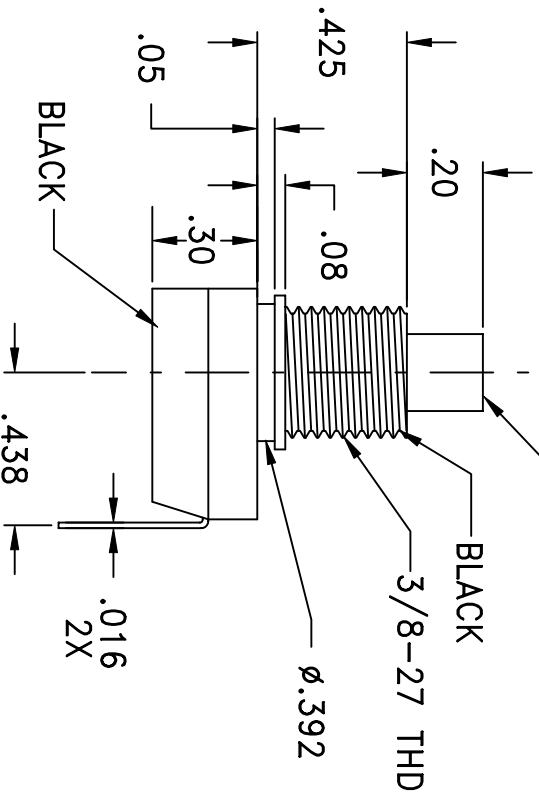
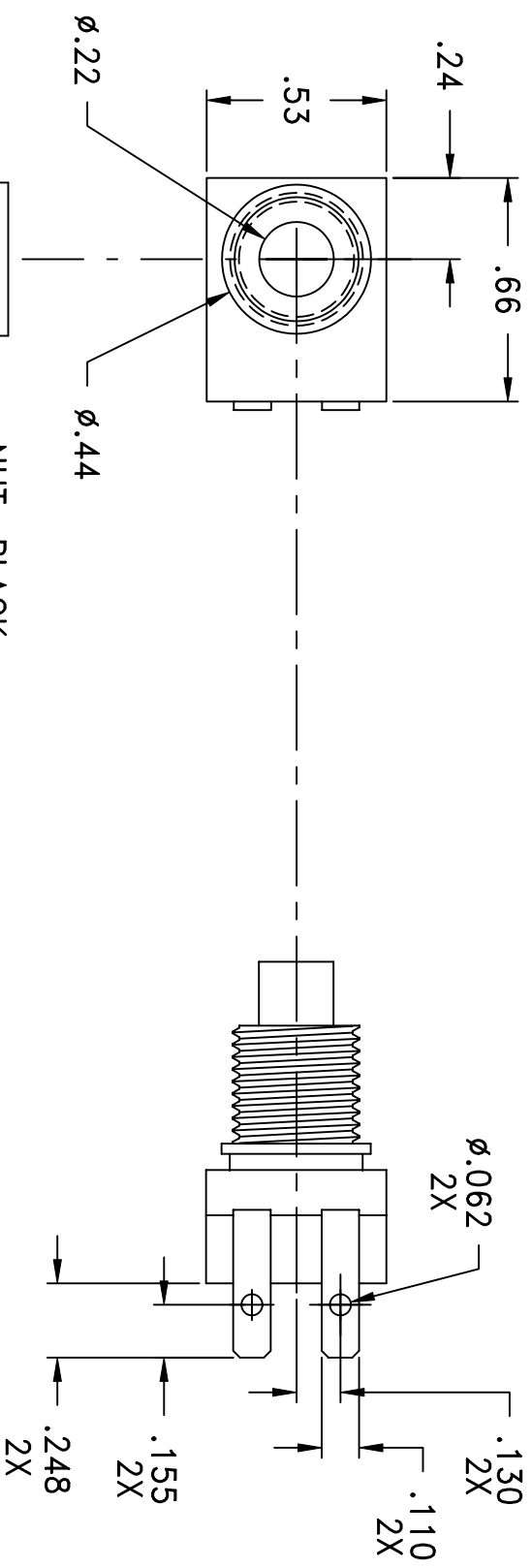


LTR	EN	DESCRIPTION	APPR	BY	DATE
A	-	INITIAL RELEASE	MT	DC	12-28-07



JUDCO INVENTORY NO. 40-4685-00
 SWITCH TYPE: SPST, PUSH ON - PUSH OFF
 UL ELECTRICAL RATING: 14 VDC, 10A
 UL TEMPERATURE RATING: 55°C
 NUT INCLUDED

CUSTOMER: DIGI-KEY
 CUSTOMER PN: TBD

APPROVED BY: _____
 DATE: _____

DIMENSIONS IN INCHES
 DIMENSIONS ARE REFERENCE

DRAWN: DC	12-28-07	TITLE	HARBOR CITY CALIFORNIA
APPR: KJ	12-28-07	DWG. NO.	1415-1281
ENG'G: IS	12-28-07		1415U1281A.DWG
		SHEET	1 OF 1

This document embodies a product, component, and/or design proprietary to JUDCO MANUFACTURING INC., and which is protected either as a trade secret, by U.S. Patent, or by copyright. It may not be used in any way without written express consent of JUDCO MANUFACTURING INC.