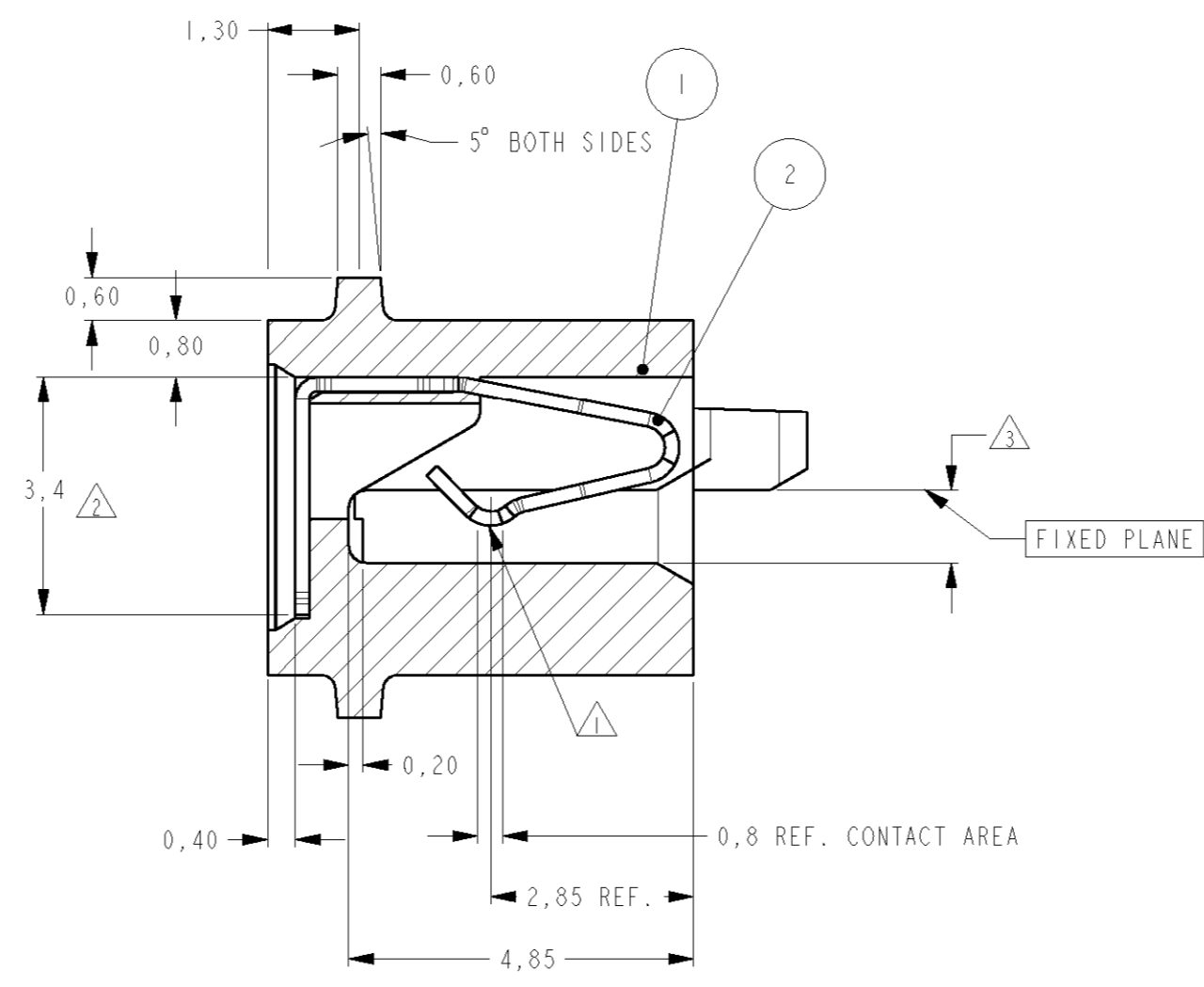
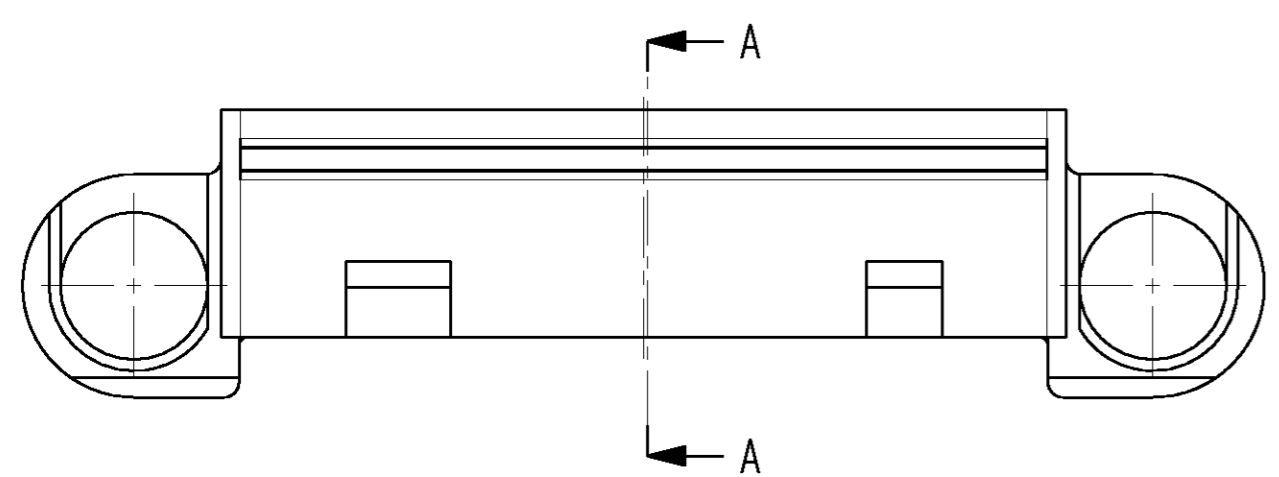
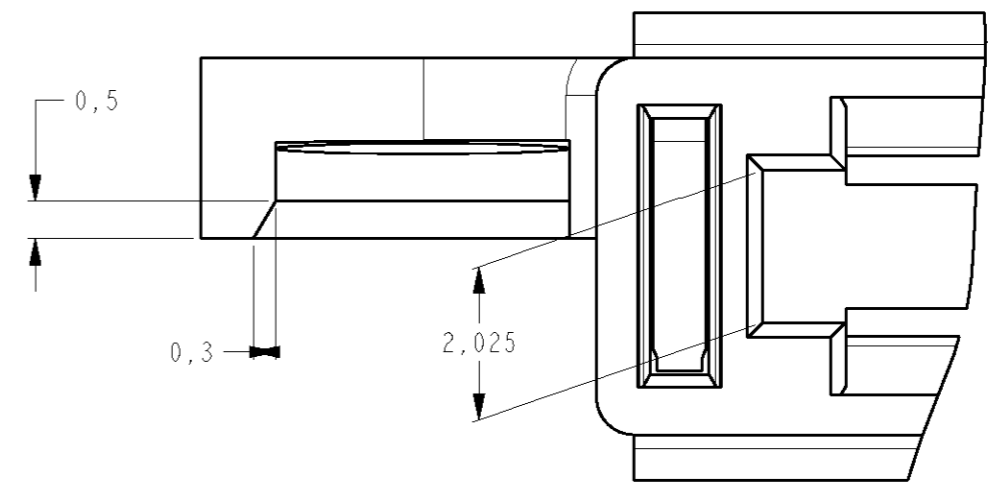
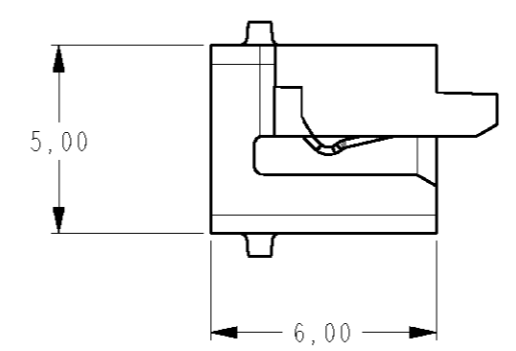
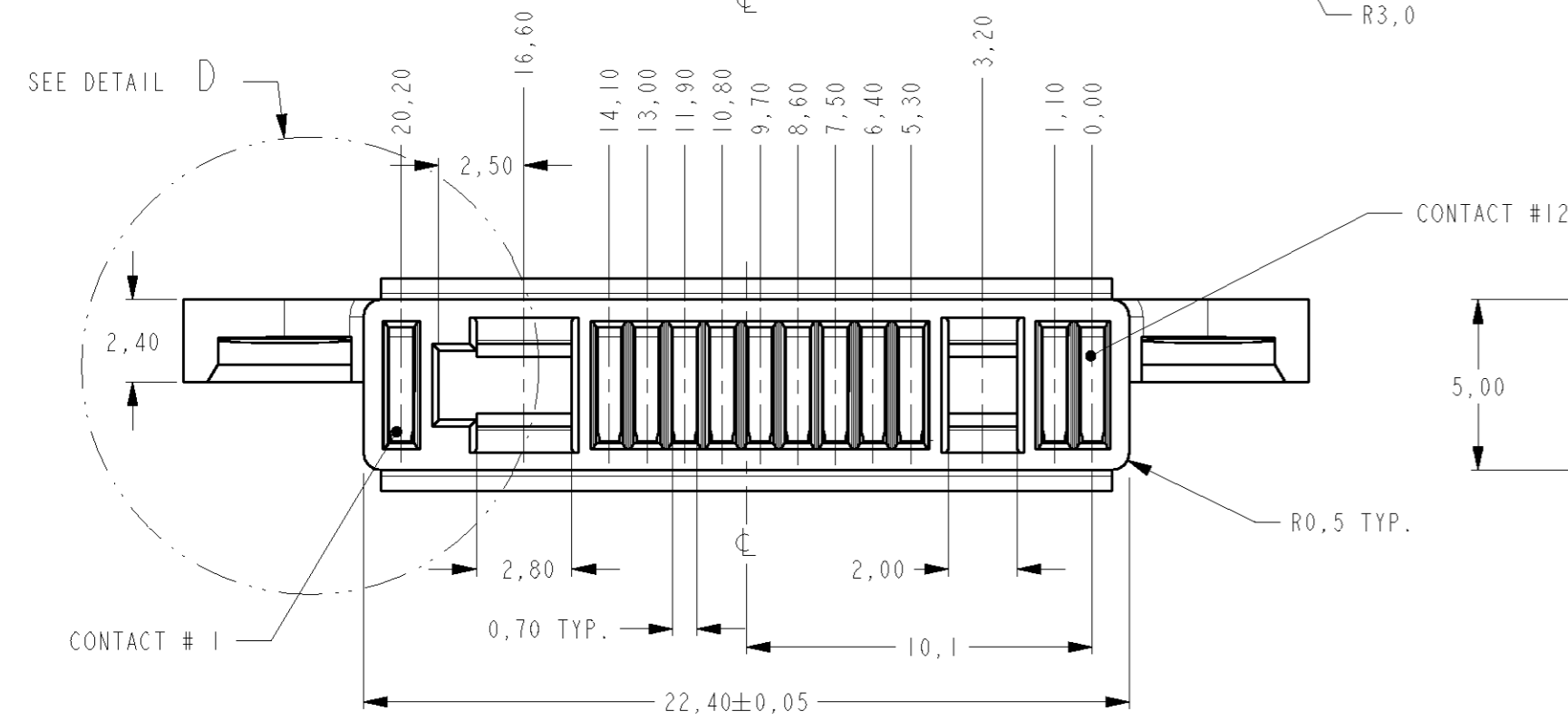
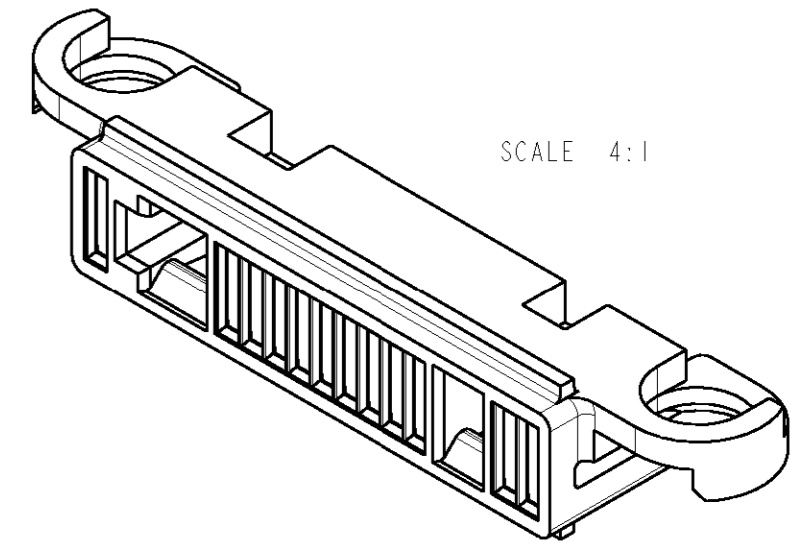
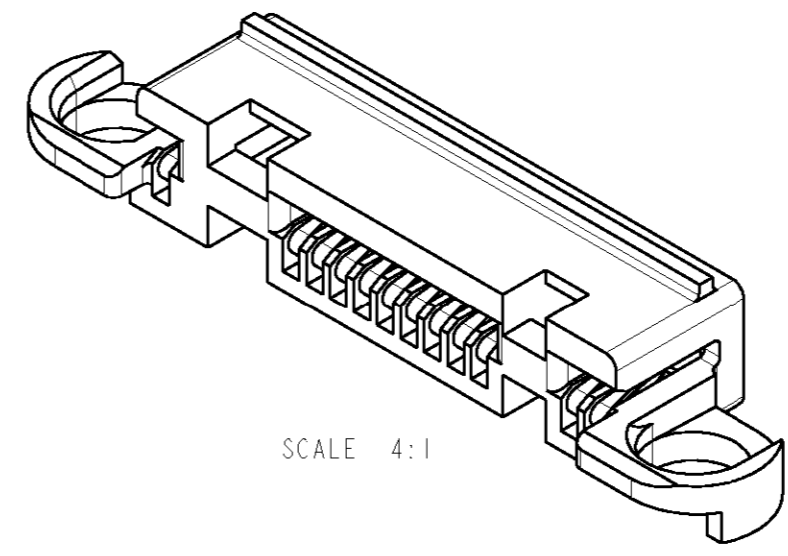
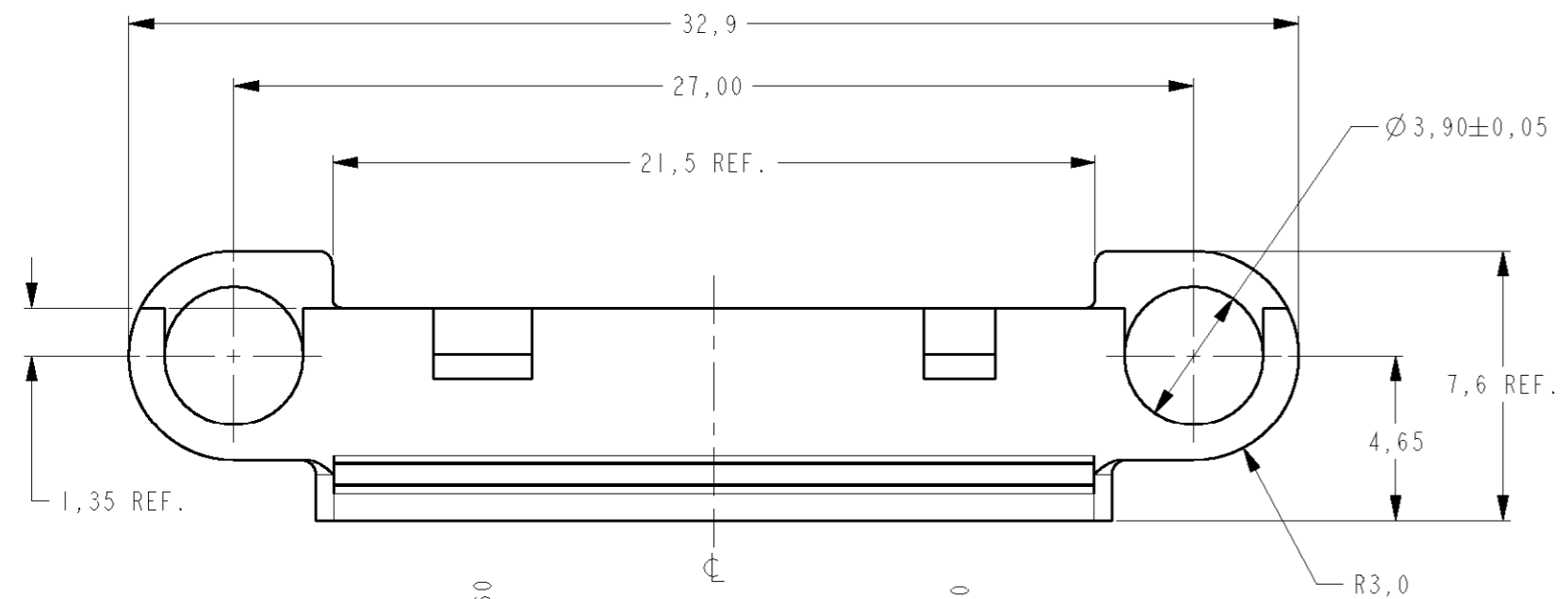
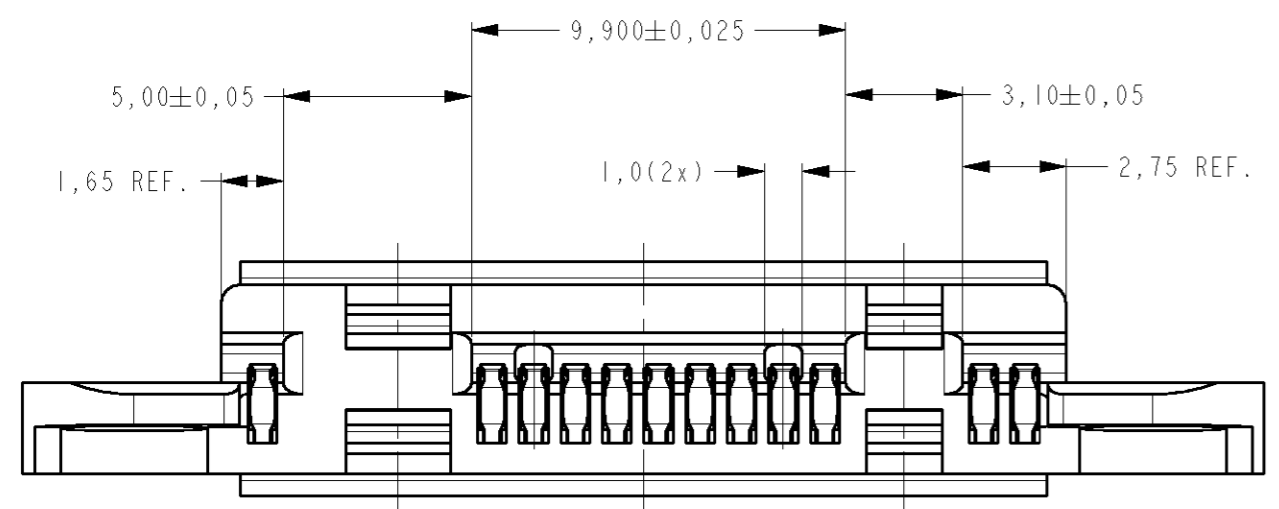


LOC	DIST	LTR	REVISION RECORD	DATE	APVD
H	-	A	EH00-1620-99	22 OCT 99	CvT
		B	EH00-0219-01	06 MRT 01	JvdH
		C	EH01-1440-03	28 NOV 03	RD



DETAIL D
SCALE 10:1

- NOTES:
- 1 0,2 µm MIN. GOLD OVER 1,3 µm MIN. NICKEL IN CONTACT AREA.
 - 2 0,8 µm MIN. GOLD OVER 1,3 µm MIN. NICKEL IN CONTACT AREA.
 - 3 0-338966-9 SUITABLE FOR PCB THICKNESS 0,9 +/- 0,1 mm.
1-338966-2 SUITABLE FOR PCB THICKNESS 1,2 +/- 0,1 mm.
 - 4 APPLICABLE PERFORMANCE REQUIREMENTS:
SEE AMP PRODUCT-SPECIFICATION 108-19184
 - 5 APPLICATION REQUIREMENTS:
SEE AMP APPLICATION-SPECIFICATION 114-19060.
 - 6 PRODUCTS ARE PACKAGED AS FOLLOWS:
250 PCS. IN A PLASTIC BAG. (BULK)
1 PLASTIC BAG IN AN INTERNAL BOX.
10 INTERNAL BOXES IN A SHIPPING BOX.
(OUTSIDE DIMENSIONS: 356 X 305 X 152 mm).



SECTION A-A
SCALE 10:1

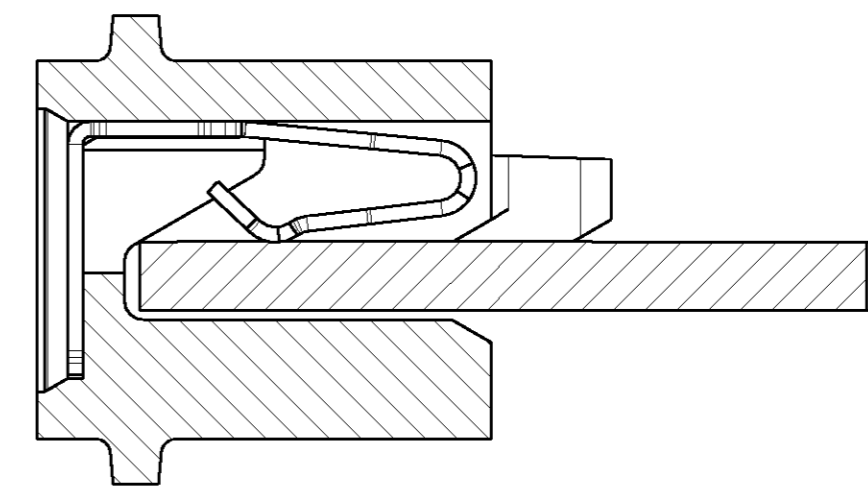
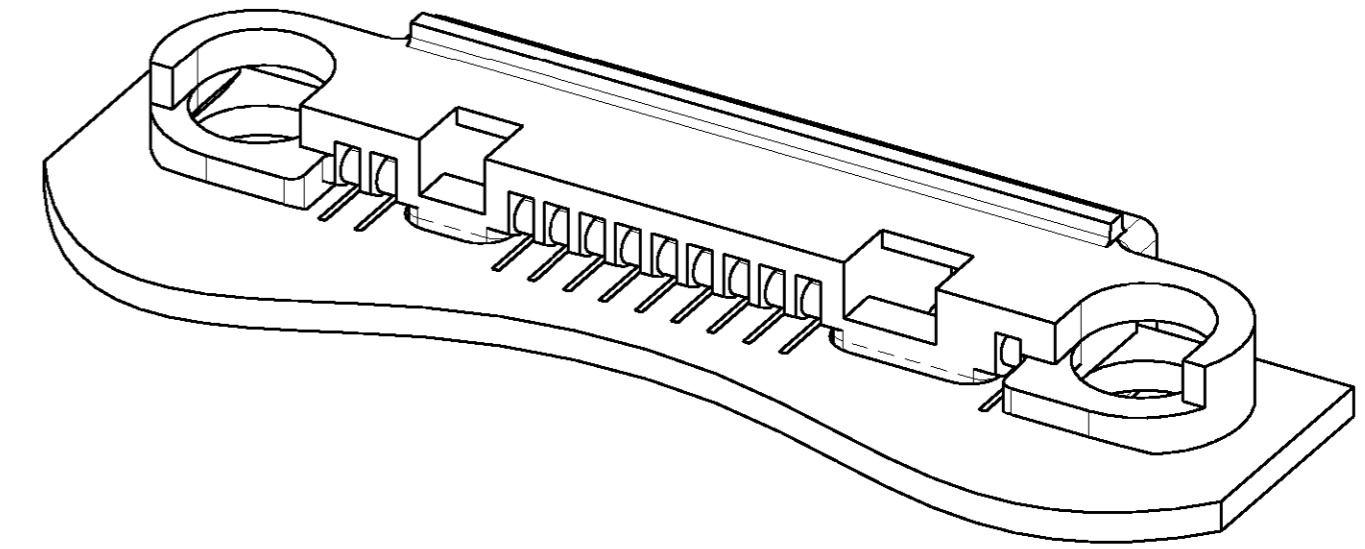
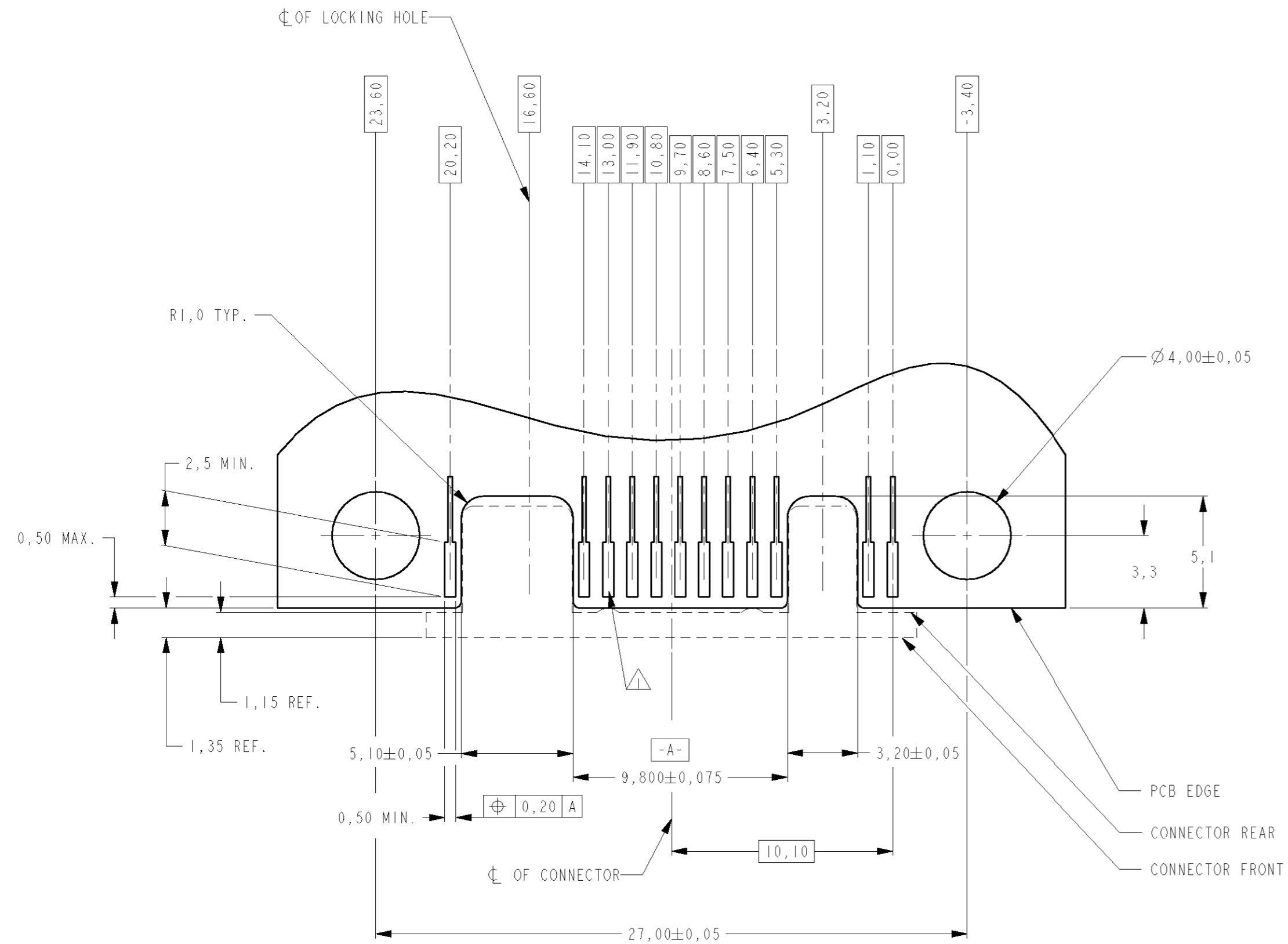
ORDER NUMBER X-338966-X 3

ITEM NO.	DESCRIPTION	MATERIAL	FINISH
2	IN-PHONE CONTACT	COPPER ALLOY	GOLD PLATED
1	SYSTEM CONN. HOUSING	LCP, 30% GF, UL 94 V-0	BLACK

DIMENSIONS:	TOLERANCES UNLESS OTHERWISE SPECIFIED:
mm	
0 PLC	± 0,2
1 PLC	± 0,15
2 PLC	± 0,10
3 PLC	± -
4 PLC	± -
ANGLES	± 1°
MATERIAL	FINISH

DWN J.V.D.HEIJDEN, 10 APR 99		AMP TYCO ELECTRONICS NEDERLAND B.V.	
CHK CvTILBURG, 10 APR 99		's-HERTOGENBOSCH, THE NETHERLANDS	
APVD		NAME	
PRODUCT SPEC		I/O CONNECTOR	
APPLICATION SPEC		12 POSITION WITH KEYING.	
SIZE A2	CAGE CODE 00779	DRAWING NO. C-338966	RESTR TO -
CUSTOMER DRAWING		SCALE 5:1	SHEET 1 OF 2
			REV C

LOC	DIST	LTR	REVISION RECORD	DATE	APVD
H	-	-	SEE SHEET 1	-	-
-	-	-	-	-	-
-	-	-	-	-	-



NOTES:

- △ PLATING OF CONTACT AREA:
MIN. 0.2µm GOLD OVER MIN. 1.3 µm NICKEL.
- 2 NO SOLDERMASK PERMITTED IN MOUNTING AREA OF
CONNECTOR. (BOTH SIDES OF THE BOARD)

RECOMMENDED PCB-LAYOUT
FOR I/O CONNECTOR

<small>THIS DRAWING IS A CONTROLLED DOCUMENT FOR TYCO ELECTRONICS NEDERLAND B.V. IT IS SUBJECT TO CHANGE AND THE CONTROLLING ENGINEERING ORGANIZATION SHOULD BE CONTACTED FOR THE LATEST REVISION.</small>		DWN J.V.D.HEIJDEN, 10 MRT 99		AMP TYCO ELECTRONICS NEDERLAND B.V. 's-HERTOGENBOSCH, THE NETHERLANDS	
DIMENSIONS: mm		TOLERANCES UNLESS OTHERWISE SPECIFIED: 0 PLC ± 0,2 1 PLC ± 0,15 2 PLC ± 0,10 3 PLC ± - 4 PLC ± - ANGLES ± 1°		NAME I/O CONNECTOR 12 POSITION WITH KEYING	
MATERIAL -		FINISH -		PRODUCT SPEC - APPLICATION SPEC - WEIGHT -	
-		-		SIZE A2	CAGE CODE 00779
-		-		DRAWING NO C-338966	RESTR TO -
CUSTOMER DRAWING				SCALE 5:1	SHEET 2 OF 2
-				REV C	-