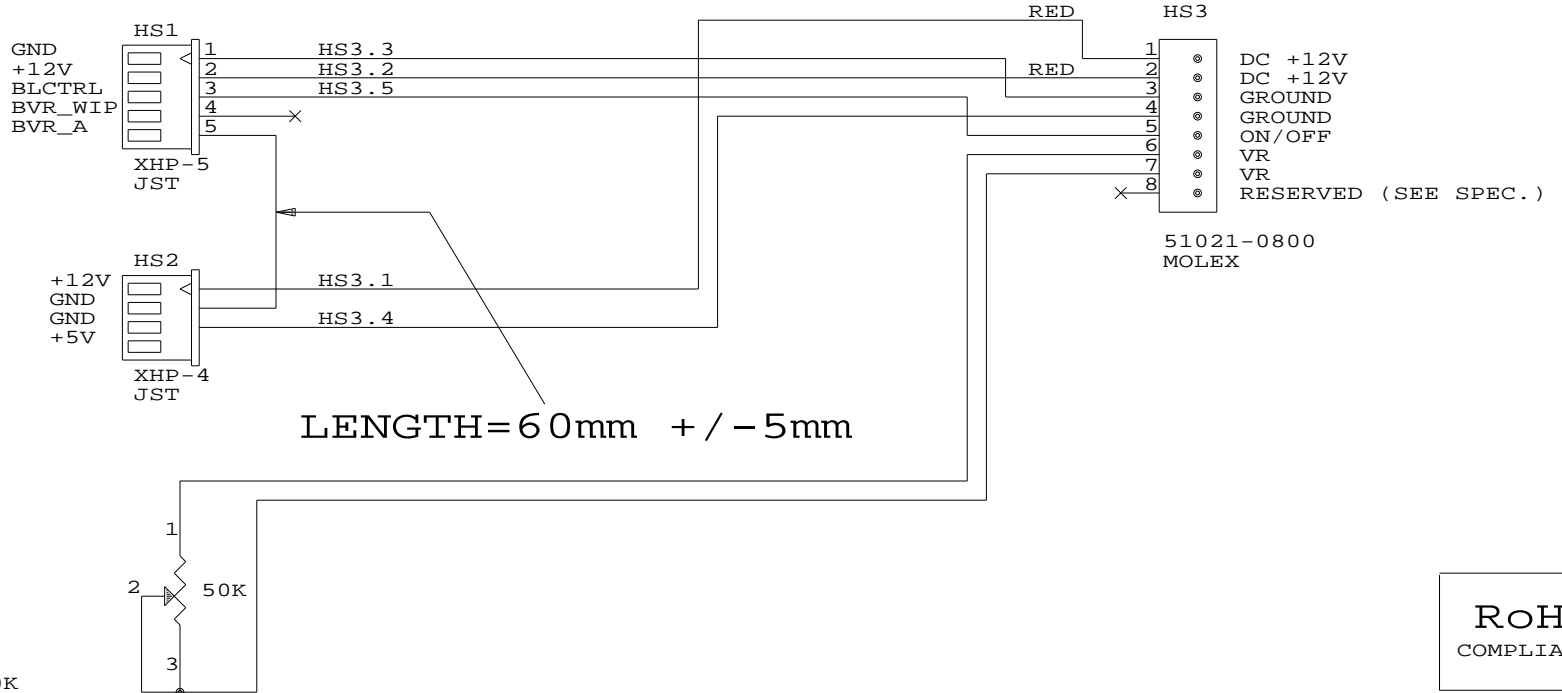


WIRE: UL1571 AWG28

HS3 PIN 1,2 IN RED
OTHERS IN WHITE

CONTROLLER
SIDE

PANEL
INVERTER SIDE



RoHS
COMPLIANCE

CABLE P/N: 426058400-3

INVERTER CABLE: VNL08C351-INV, 300mm

DIGITAL VIEW LTD.

COPYRIGHT 2007, ALL RIGHTS RESERVED

CONFIDENTIAL

DRAWN BY: VICTOR NG

Title		
INVERTER CABLE: VNL08C351-INV, 300mm		
Size	Document Number	REV
A	... \ORCAD \DV_CABLE \C6058400.SCH	01
Date:	May 22, 2007	Sheet 1 of 1