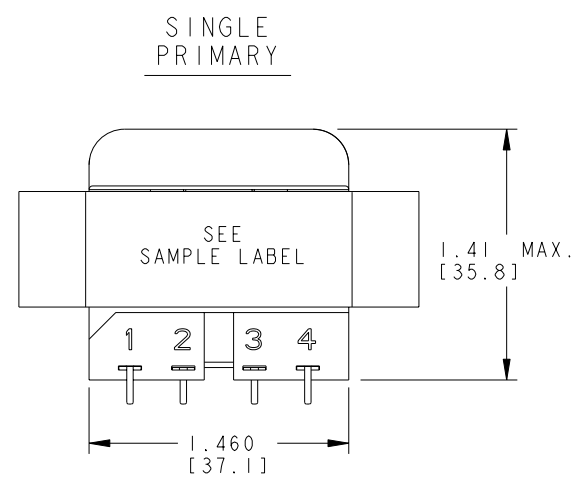
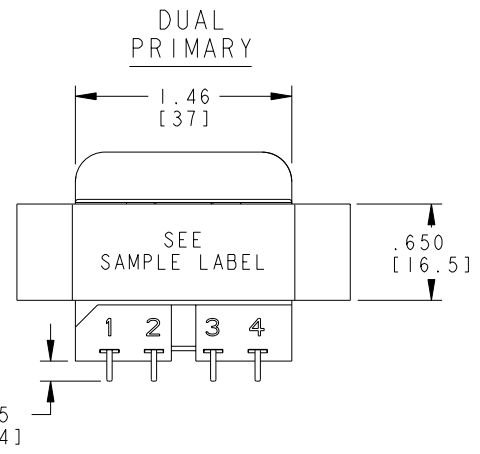


THIS DRAWING IS UNPUBLISHED. RELEASED FOR PUBLICATION 20
 © COPYRIGHT 20 BY TYCO ELECTRONICS CORPORATION. ALL RIGHTS RESERVED.

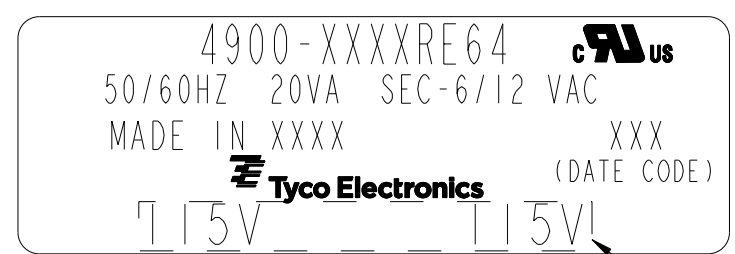
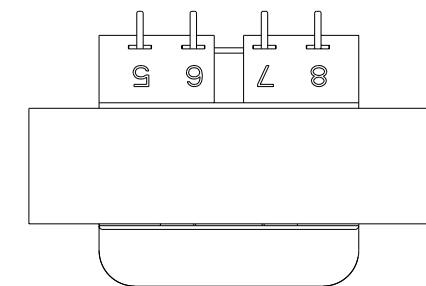
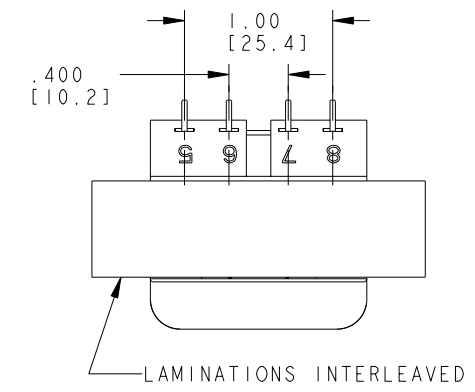
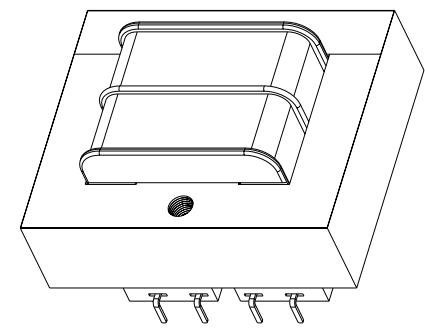
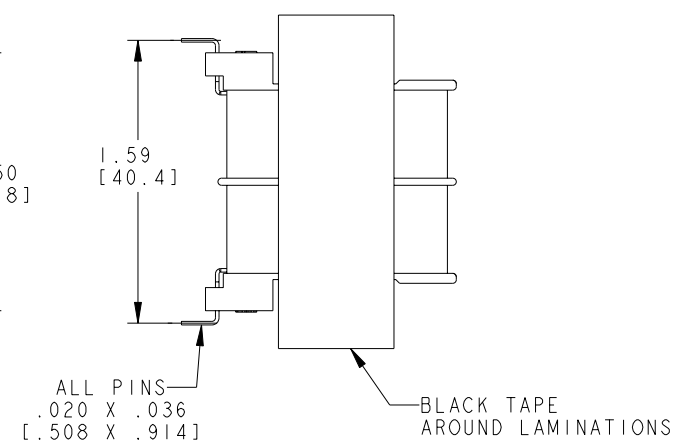
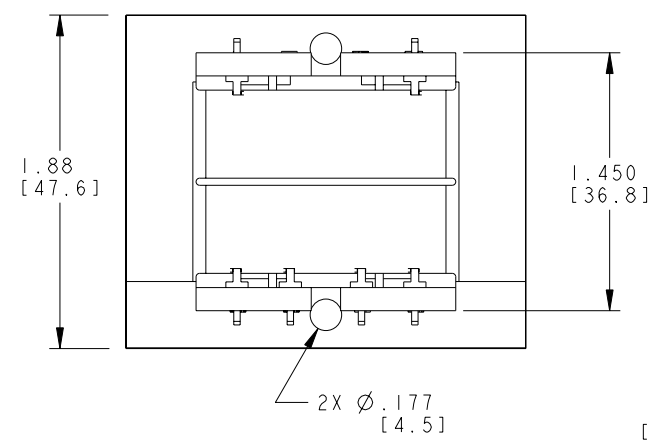
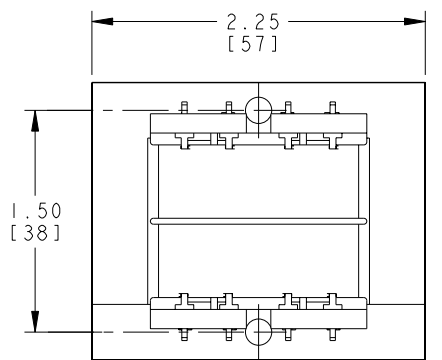
LOC	DIST	REVISIONS			
P	LTR	DESCRIPTION	DATE	DWN	APVD
B		ECR-09-007281	21APR2009	JS	JH
C		ECR-09-012204	11JUN2009	JS	DB



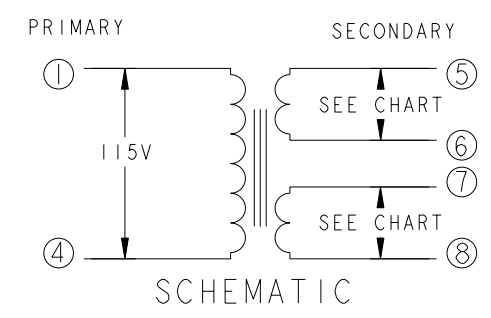
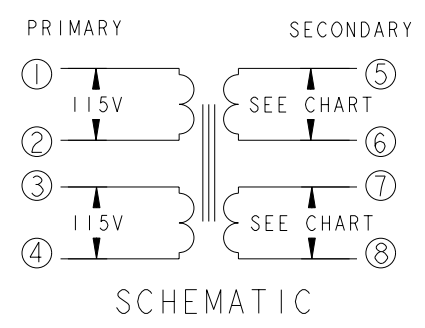
CERTIFICATION: UL/CUL FILE NO. E102980 HZ. 50/60 V.A. 20

DIMENSIONS FOR REFERENCE ONLY

PRIMARY	SECONDARY		P.U. PART NUMBER	TYCO ELECTRONICS PART NUMBER
	SERIES	PARALLEL		
115 VAC	12 VCT	6 VAC	4900-8012RE64	1672326-2
115 VAC	12.6 VCT	6.3 VAC	4900-8013RE64	1672326-3
115 VAC	24 VCT	12 VAC	4900-8024RE64	1672326-6
115 VAC	28 VCT	14 VAC	4900-8028RE64	1672326-7
115 VAC	48 VCT	24 VAC	4900-8048RE64	1-1672326-0
115/230 VAC	12 VCT	6 VAC	4900-9012RE64	1-1672326-4
115/230 VAC	12.6 VCT	6.3 VAC	4900-9013RE64	1-1672326-5
115/230 VAC	24 VCT	12 VAC	4900-9024RE64	1-1672326-8
115/230 VAC	28 VCT	14 VAC	4900-9028RE64	1-1672326-9
115/230 VAC	48 VCT	24 VAC	4900-9048RE64	2-1672326-2



SAMPLE LABEL SCALE: 4:1 VOLTAGE ON LABEL WILL VARY PER MODEL NUMBER.



<small>THIS DRAWING IS A CONTROLLED DOCUMENT FOR TYCO ELECTRONICS CORPORATION IT IS SUBJECT TO CHANGE AND THE CONTROLLING ENGINEERING ORGANIZATION SHOULD BE CONTACTED FOR THE LATEST REVISION.</small>		DWN J. SLIKE 21APR2009 CHK J. HURLBURT 21APR2009 APVD J. HURLBURT 21APR2009	Tyco Electronics Harrisburg, PA 17105-3608
DIMENSIONS: INCHES [mm]	TOLERANCES UNLESS OTHERWISE SPECIFIED: 0 PLC ± 1 PLC ± 2 PLC ±.01 3 PLC ±.005 4 PLC ± ANGLES ± FINISH	NAME TRANSFORMER OUTLINE PRODUCT SPEC APPLICATION SPEC WEIGHT	SIZE A2 CAGE CODE 00779 DRAWING NO. C=4900-RE64 RESTRICTED TO
MATERIAL		CUSTOMER DRAWING	
		SCALE 5:4	SHEET 1 OF 1 REV C