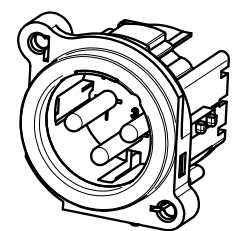
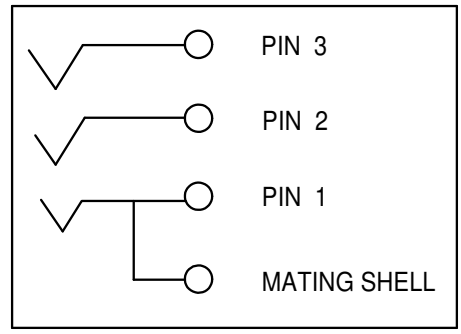
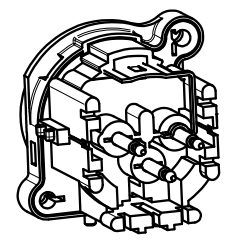


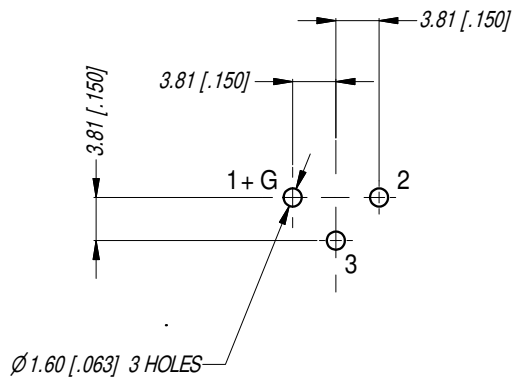
MIN MOUNTING PITCH (1:1)



3D VIEW (1:1)



SCHEMATIC CHART

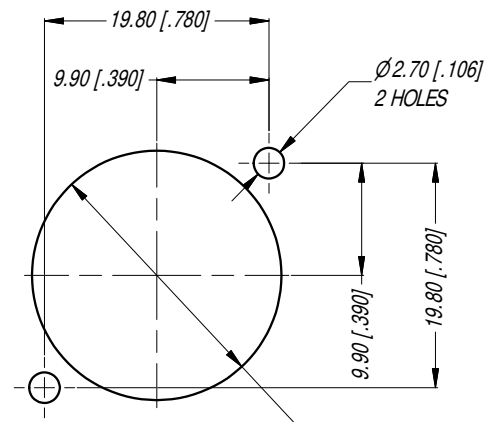


PCB LAYOUT

TOLERANCE: ± 0.05 [$\pm .002$]

NOTES: DIMENSIONS IN PARENTHESES ARE IN INCHES.

NOTE: SUFFIX "B" IN THE PART No. INDICATES BULK PACK



PANEL CUT OUT
REAR VIEW

UNLESS OTHERWISE SPECIFIED TOLERANCE TO BE:		THIS DOCUMENT IS THE PROPERTY OF AMPHENOL AUSTRALIA PTY. LTD. NO PART THEREOF MAY BE REPRODUCED AND USED WITHOUT THE PRIOR WRITTEN CONSENT OF THE OWNER			
LINEAR	ANGULAR	CAD FILE	DRN:	T.N	DATE:
X ± 0.5	X° ± 1	55010485000211	CKD:	P.M	04/09/07
X.X ± 0.1	X.X° ± 30'	BREAK ALL SHARP EDGES AND REMOVE ALL BURRS	APP'D:	P.M	06/26/09
X.XX ± 0.05	X.XX° ± 15'	DO NOT SCALE	FINISH:	REFER TO COMPONENTS	06/26/09
DIMENSIONS IN MILLIMETRES		THIRD ANGLE PROJECTION		SCALE:	1.5:1

REV	DESCRIPTION	DATE	BY	CHG No
2	ADD SUFFIX -B TO PART No	27/08/15	T.N	9318
1	ADD SCHEMATIC CHART	06/26/09	A.O	8791
0	FIRST ISSUE	03/09/07	T.N	8686

REVISION HISTORY

TITLE:		Amphenol	
XLR MALE B TYPE CONNECTOR CUSTOMER DWG		Amphenol Australia Pty.Ltd. 2 Fiveways Blvd. Keysborough, Vic3173	
PART No:	AC3MBV3-AU-B	DRAWING NO.	55010485-000-2
SIZE:	A4	SHEET	2/2