

1

2

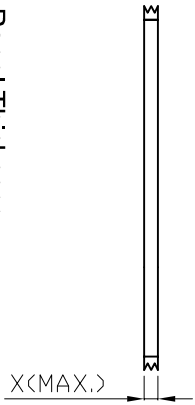
3

4

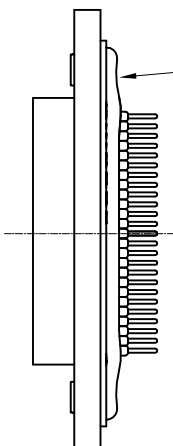
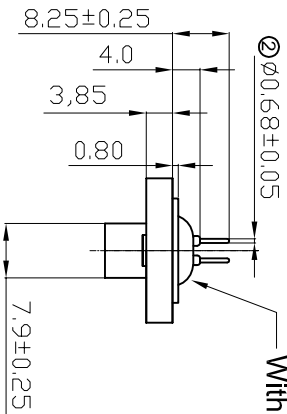
5

6

7



Panel Thickness
 Screw L=5.0 For Panel Thickness Under 1.2mm
 Screw L=6.0 For Panel Thickness Between 1.2-2.0mm



NOTES:

MATERIAL

1. Insulator Material: Black, NYLON+G/F
2. Contact Material : Copper Alloy
3. Plating : Gold Plating
4. Waterproof Rate: IP67
5. Do Mating Test After Glued

1

2

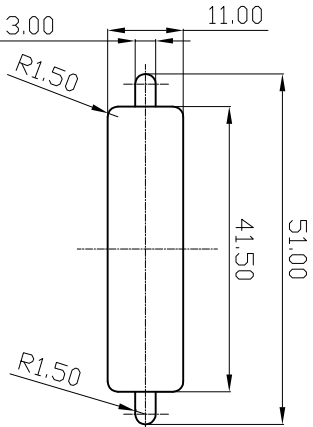
3

4

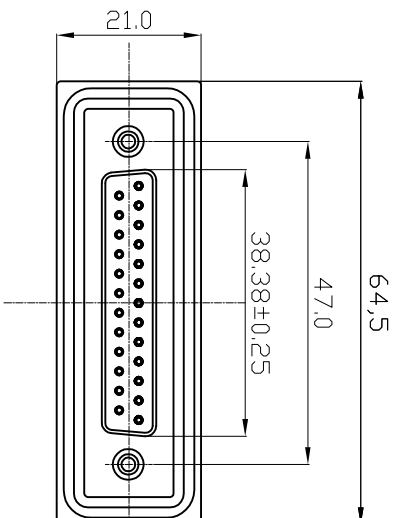
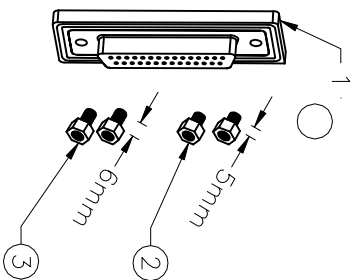
5

6

7



Recommended Panel Cut-Out



25 Pin Female Connector PCB Pin Layout
 Scale 2:1

RoHS compliant
 Unit: mm

Scale	Free								
TOLERANCE									
X.X	±0.25								
X.XX	±0.10								
X.XXX	±0.05								
DIM	TOL	①	Cancel LOGO and change dimension	25.01.2018	Tom				
ANGLE	±1°	②	Drawn	24.12.2008	JACK				
X.X°	±X°	③	Modification						
Angle	TOL	Id.							

1

2

3

4

5

6

7



ASS 3261 CO

A-DF 25 PP-WP

Customer-No.

Name

Date

Name

Date

ASSMANN WSW-No.

Drawing-No.

Replace

Sheet

1

2

3

4

5

6

7

H

G

H