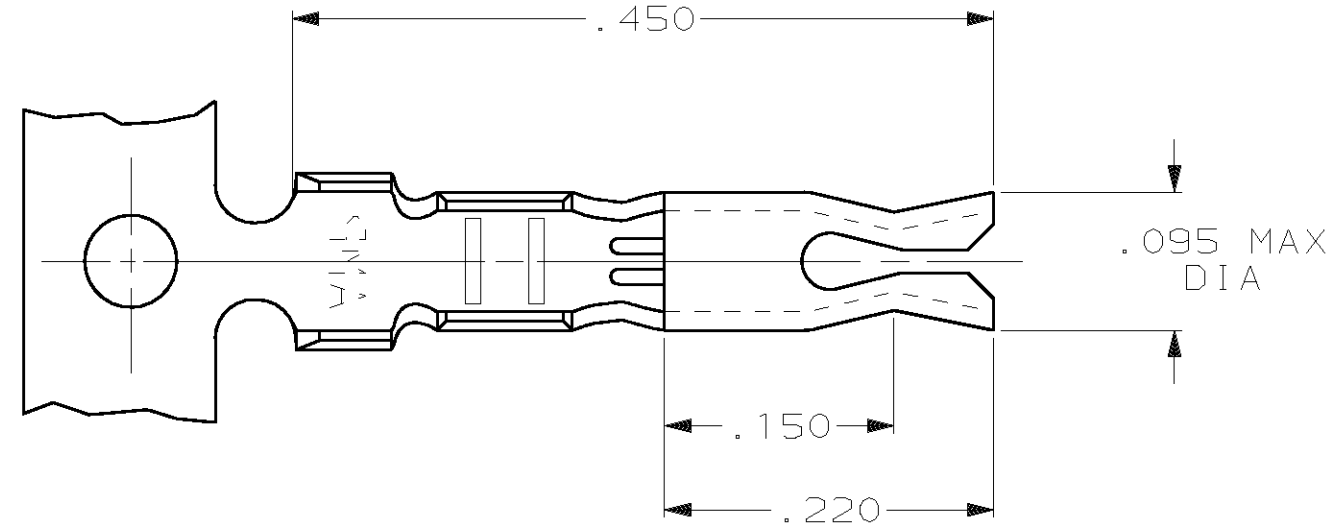
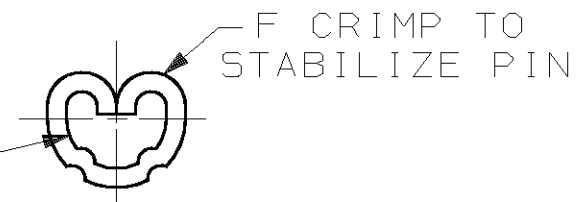


THIS DRAWING IS UNPUBLISHED. RELEASED FOR PUBLICATION, 19  
 © COPYRIGHT 19 BY AMP INCORPORATED. ALL INTERNATIONAL RIGHTS RESERVED.

LOC	DIST	P	F	REVISIONS			DATE	APPD
AF	50			ZONE	LTR	DESCRIPTION		
					AE	OBS -2 PER 0G3A-0533-00	01MAR01	JR/DD

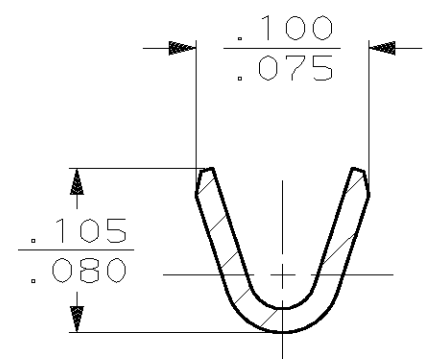
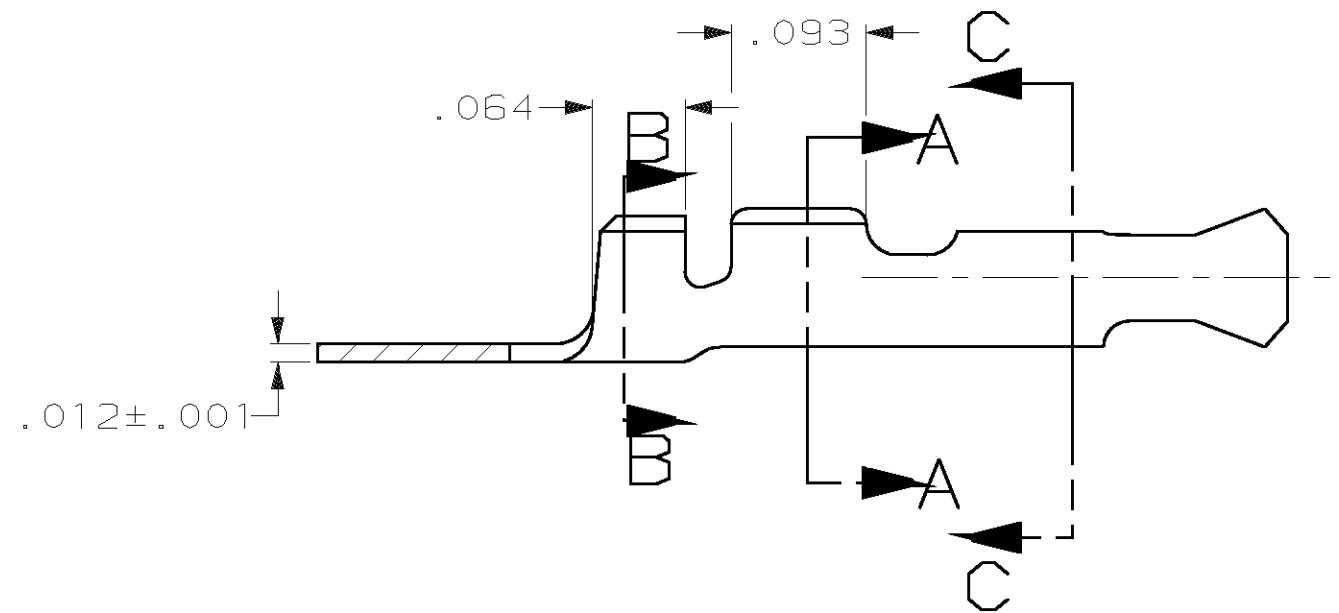


- 1 CONTINUOUS STRIP ON REELS
- 2 60373-4 IS REVERSE REELED.

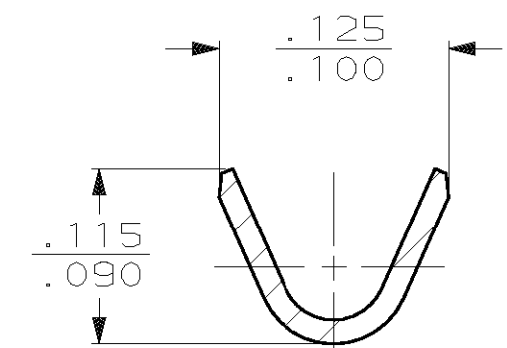


SECTION C-C

FITS .032±.001 DIA PIN



SECTION A-A  
SCALE 10:1



SECTION B-B  
SCALE 10:1

OBSOLETE	2	.048-.071 DIA	24-20 AWG	60373-4
		<del>.048-.071 DIA</del>	<del>24 20 AWG</del>	<del>60373 2</del>

TYPE	WIDTH	STRIP LENGTH ±.015	TYPE	WIDTH	±.002 HEIGHT	WIRE
F	.080	.150	F	.062	.046	20
					.043	22
					.040	24
INSUL BARREL CRIMP			WIRE BARREL CRIMP			

DO NOT SCALE PRINT. UNLESS SPECIFIED DIMENSIONS IN INCHES TOLERANCES ON: 2 PLC DEC ± - 3 PLC DEC ± .015 ANGLES ± -	DR 4/24/90 P FORTNEY
MATERIAL #4 HARD PHOS BRONZE	CHK 4/24/90 JR RUTH
FINISH .000080 MIN TIN PL	APPD 4/24/90 G YETTER
	APPD 4/24/90 R KUZO
	PRODUCT SPEC -
	APPLICATION SPEC -
	WEIGHT -

INSULATION RANGE			WIRE RANGE		PART NO	
AMP			AMP Incorporated		Harrisburg, PA 17105-3608	
PIN RECEPTACLE, .032 DIA						
SIZE	CAGE CODE	DRAWING NO				
B	00779	60373				
SCALE	8:1	SHEET		1 OF 1		