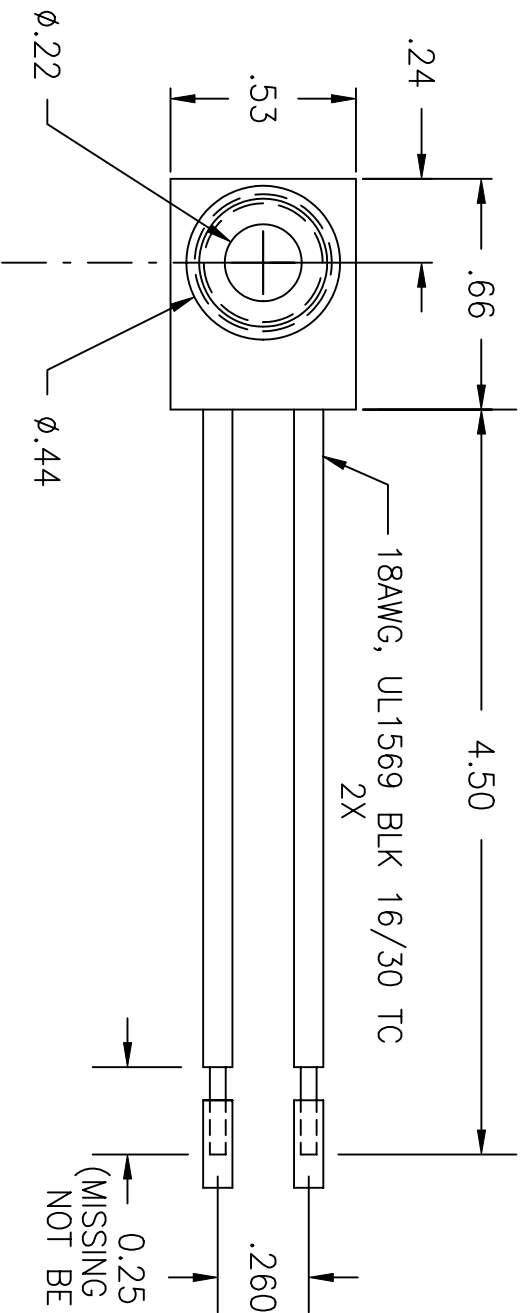
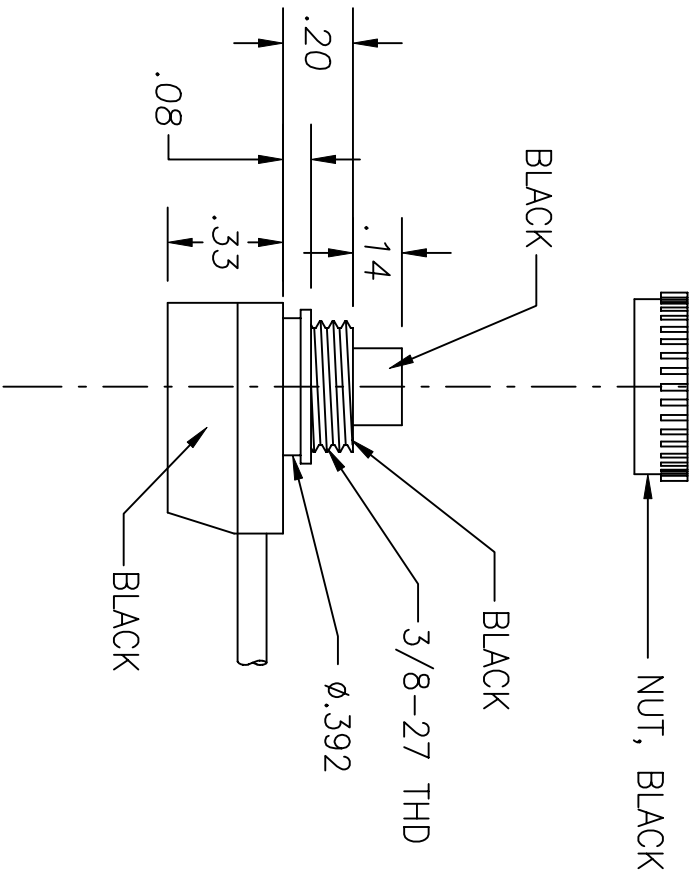


LTR	EN	DESCRIPTION	APPR	BY	DATE
A	-	INITIAL RELEASE	RB	DC	09-18-06



0.25 STRIP W/INSULATION
(MISSING INSULATION SLUGS SHALL
NOT BE CAUSE FOR REJECTION)
2X



JUDCO INVENTORY NO. 40-4521-00
SWTCH TYPE: PUSH ON-PUSH OFF, SPST
UL ELECTRICAL RATING: 125 VAC, 6A
UL TEMPERATURE RATING: 65°C
NUTS PACKED SEPARATELY.

CUSTOMER: DIGI-KEY
CUSTOMER PN: TBD
ACCEPTED BY: _____
DATE: _____

Dimensions in inches
Dimensions are reference

DRAWN: DC 09-18-06
APPR: KJ 09-18-06

1415U1022A.DWG

HARBOR CITY CALIFORNIA
OUTLINE
J-188B-1 ULAC WIRES
DWG. NO. 1415-1022
SHEET 1 OF 1

This document embodies a product, component, and/or design proprietary to JUDCO MANUFACTURING INC., and which is protected either as a trade secret, by U.S. Patent, or by copyright. It may not be used in any way without written express consent of JUDCO MANUFACTURING INC.