



soberton inc.

PT PIEZO AUDIO TRANSDUCER

Acoustic Product Specification

Product Number: PT-2309A



Release | Revision: A/2021

CONTENTS

This document contains the technical specifications for the Piezo Audio Transducer.

Page 1

Specifications

Reliability Test

Page 2

Electrical & Acoustical Measuring Condition

Frequency Response

Page 3

Dimension

Material Table

Page 4

Packing

Specifications

Item	Unit	Specification	Condition
Rated Voltage	Vp-p	10	
Operating Voltage	Vp-p	3 ~ 30	
Mean Current	mA	3.5 Max	at 2KHz , ½ duty square wave, 10Vp-p
Capacitance at 30Hz	pF	25000±30%	at 120KHz
Sound Output	dB	85 Min	at 2KHz , ½ duty square wave, 10Vp-p
Rated Frequency	Hz	2000±500	
Operating Temp	°C	-20 ~ +70	
Storage Temp	°C	-40 ~ +80	
Dimension	mm	Ø21.8×H9.6	See attached drawing.
Weight	gram	3.0	
Material		PBT (Black)	
Terminal		Pin type	See attached drawing.
Environmental Protection Regulation		RoHS	

Test condition:

Temperature: +25±3°C Related Humidity: 60±10% Air Pressure: 86-106K

Reliability Test

Item	Test Condition	Evaluation Standard
Ordinary Temperature Life Test	The part shall be subjected to 96 hours at 25±10°C.	Input rated voltage, Resonant frequency, ½ duty square wave.
High Temperature Test	The part is able to withstand storage temperature of +85°C For 96 hours.	
Low Temperature Test	The part is able to withstand storage temperature of -40°C For 96 hours.	
Humidity Test	The part is tolerant to temperature at +40°C±3°C, Relative Humidity: 90% ~ 95%	Duration: 48 hours. And at room temperature for 6 hours
Temperature Shock Test	Per Cycle: 60°C/1 hr >> 25°C/3hrs >> 20°C/1 hr >> 25°C/3hrs	Total Cycle: 10 cycles
Vibration	Vibration: 1000 cycles /min Amplitude: 1.5mm	Duration: 1 hour in each 3 axes
Drop Test	The part is dropped from a height of 75cm onto a 5cm thick wooden board. 3 sides, six planes	



soberton inc.

PT PIEZO AUDIO TRANSDUCER

Acoustic Product Specification

Product Number: PT-2309A



Release | Revision: A/2021

CONTENTS

This document contains the technical specifications for the Piezo Audio Transducer.

Page 1

Specifications

Reliability Test

Page 2

Electrical & Acoustical Measuring Condition

Frequency Response

Page 3

Dimension

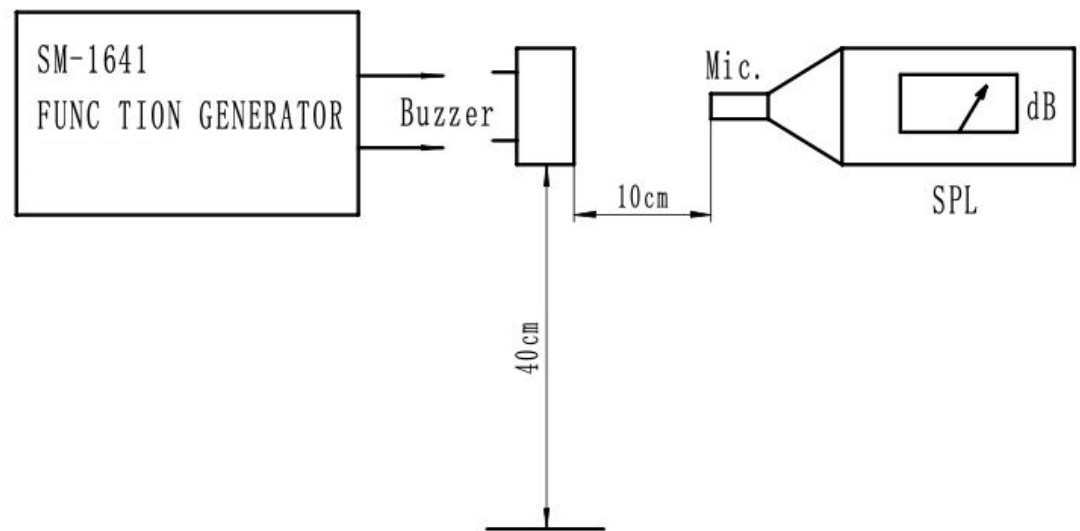
Material Table

Page 4

Packing

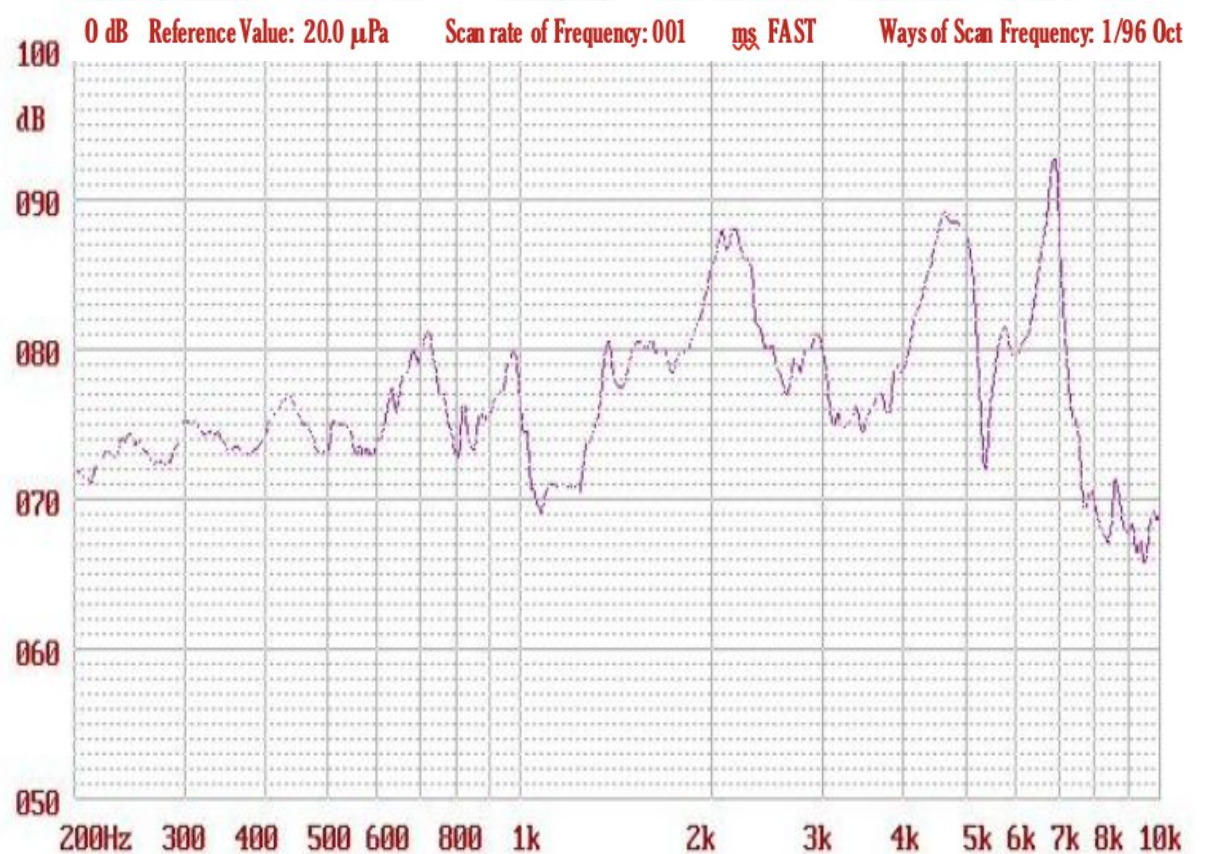
Electrical & Acoustical Measuring Condition

Recommended Setting



Frequency Response Curve

10Vp-p 50% Square Wave, 10cm





soberton inc.

PT PIEZO AUDIO TRANSDUCER

Acoustic Product Specification

Product Number: PT-2309A



Release | Revision: A/2021

CONTENTS

This document contains the technical specifications for the Piezo Audio Transducer.

Page 1

Specifications

Reliability Test

Page 2

Electrical & Acoustical
Measuring Condition

Frequency Response

Page 3

Dimension

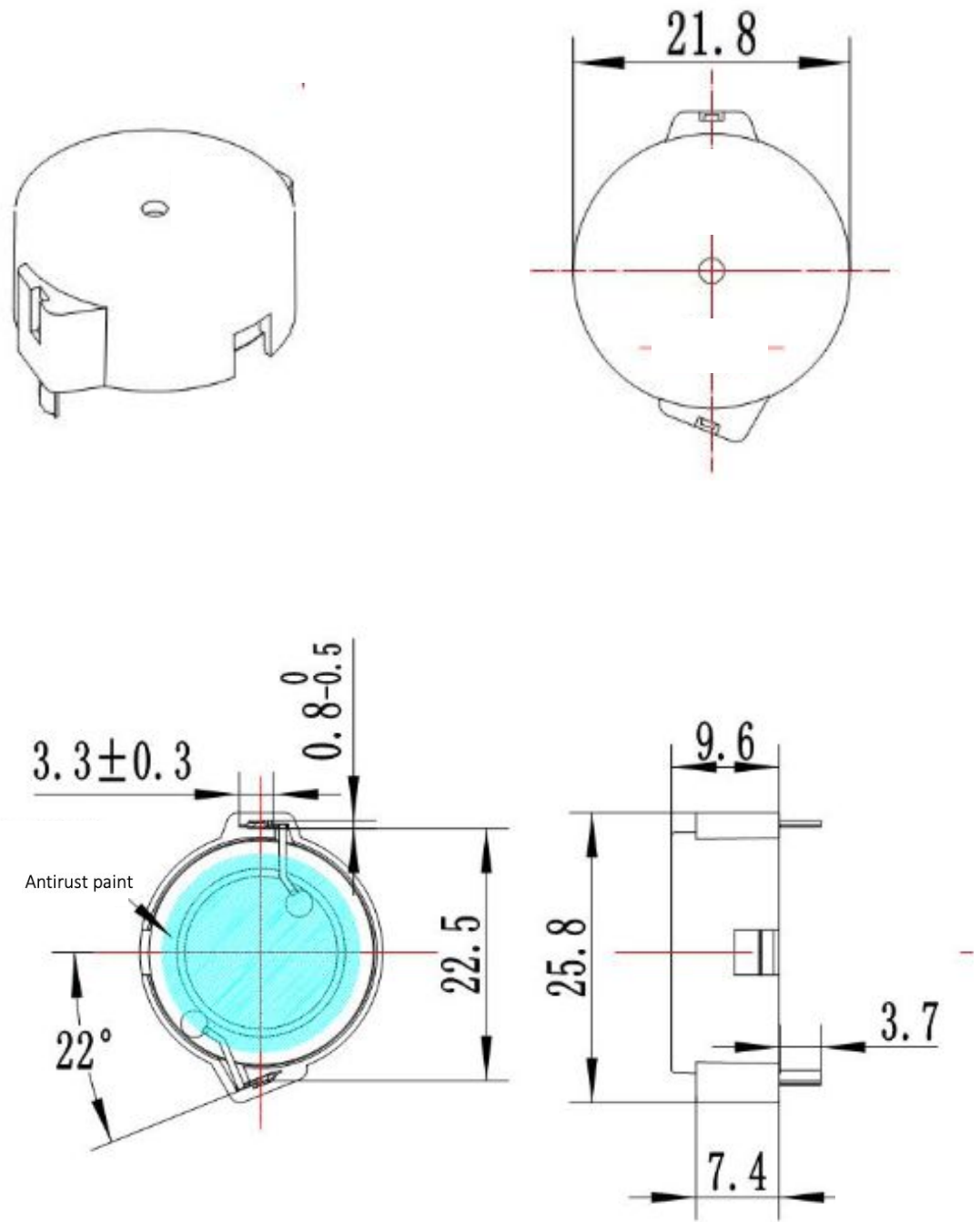
Material Table

Page 4

Packing

Dimensions

Tolerance: ± 0.5 (unit: mm)



No.	Part Name	Material	Quantity
1	Case	PBT Black	1
2	Piezo	Copper + Ceramics	1
3	PIN	Copper & Tin Plating	2



soberton inc.

PT PIEZO AUDIO TRANSDUCER

Acoustic Product Specification

Product Number: PT-2309A



Release | Revision: A/2021

CONTENTS

This document contains the technical specifications for the Piezo Audio Transducer.

Page 1

Specifications

Reliability Test

Page 2

Electrical & Acoustical Measuring Condition

Frequency Response

Page 3

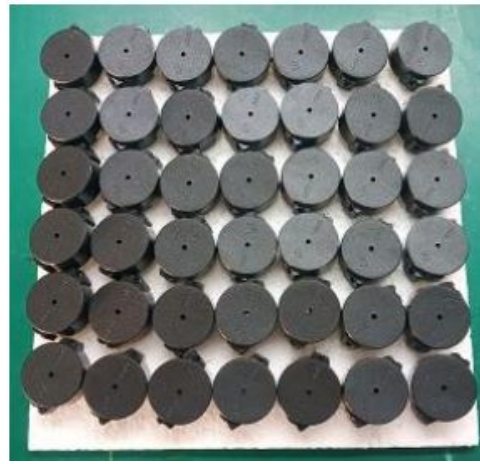
Dimension

Material Table

Page 4

Packing

Packing



Packing Order

Per Tray: 15.3x15.3xH0.5cm

42pcs

Per Box: 16x16xH18cm

420pcs

Per carton: 52x35xH39

5040pcs

Per carton: 12 boxes