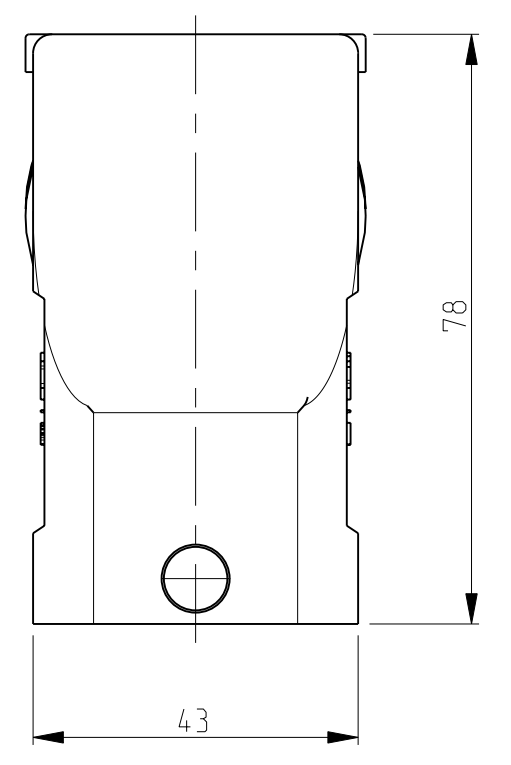
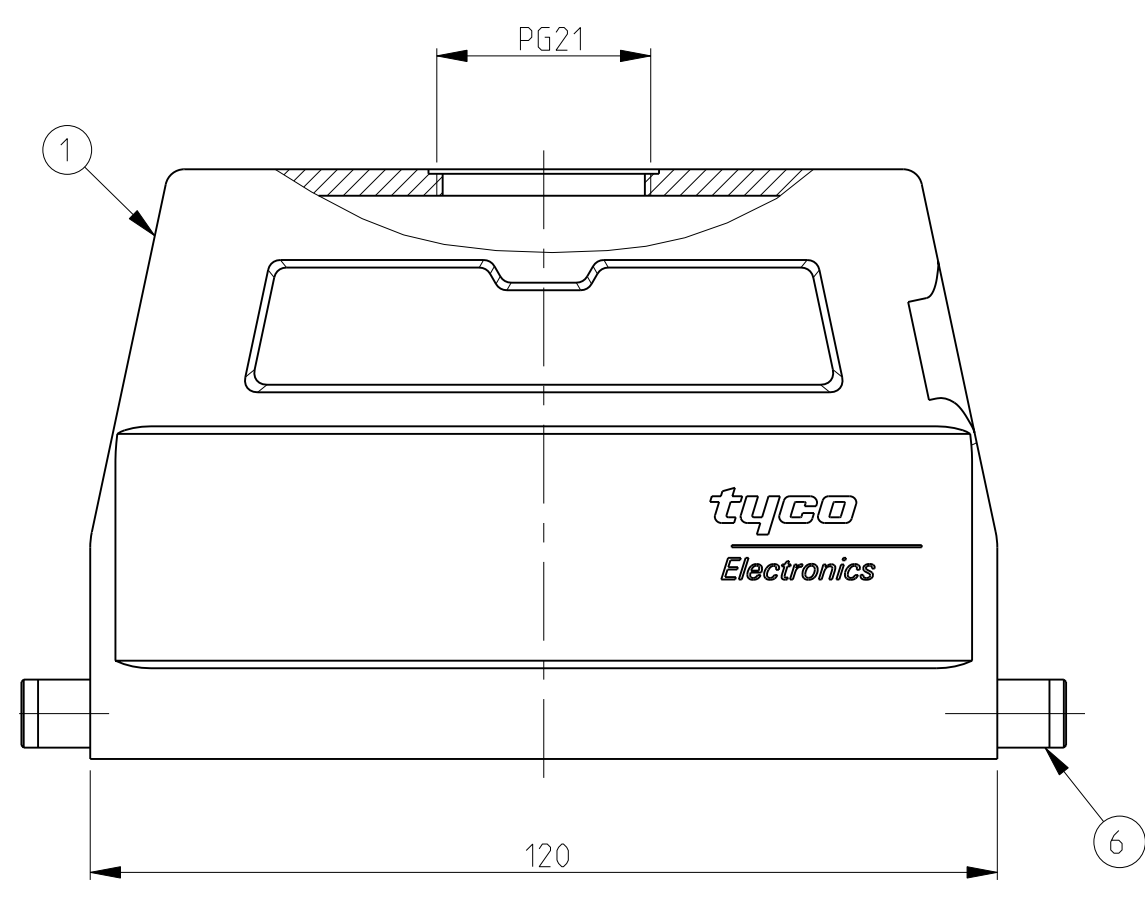
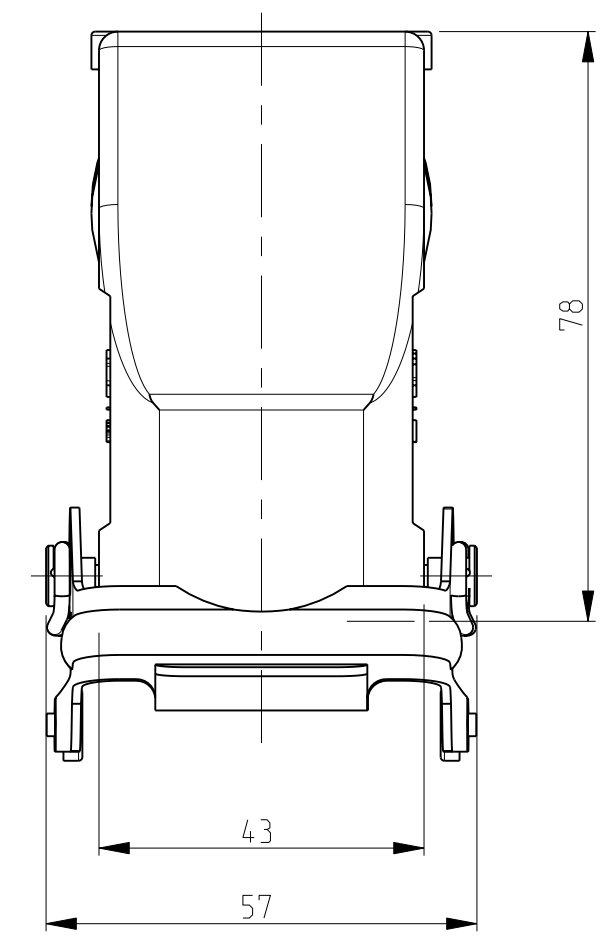
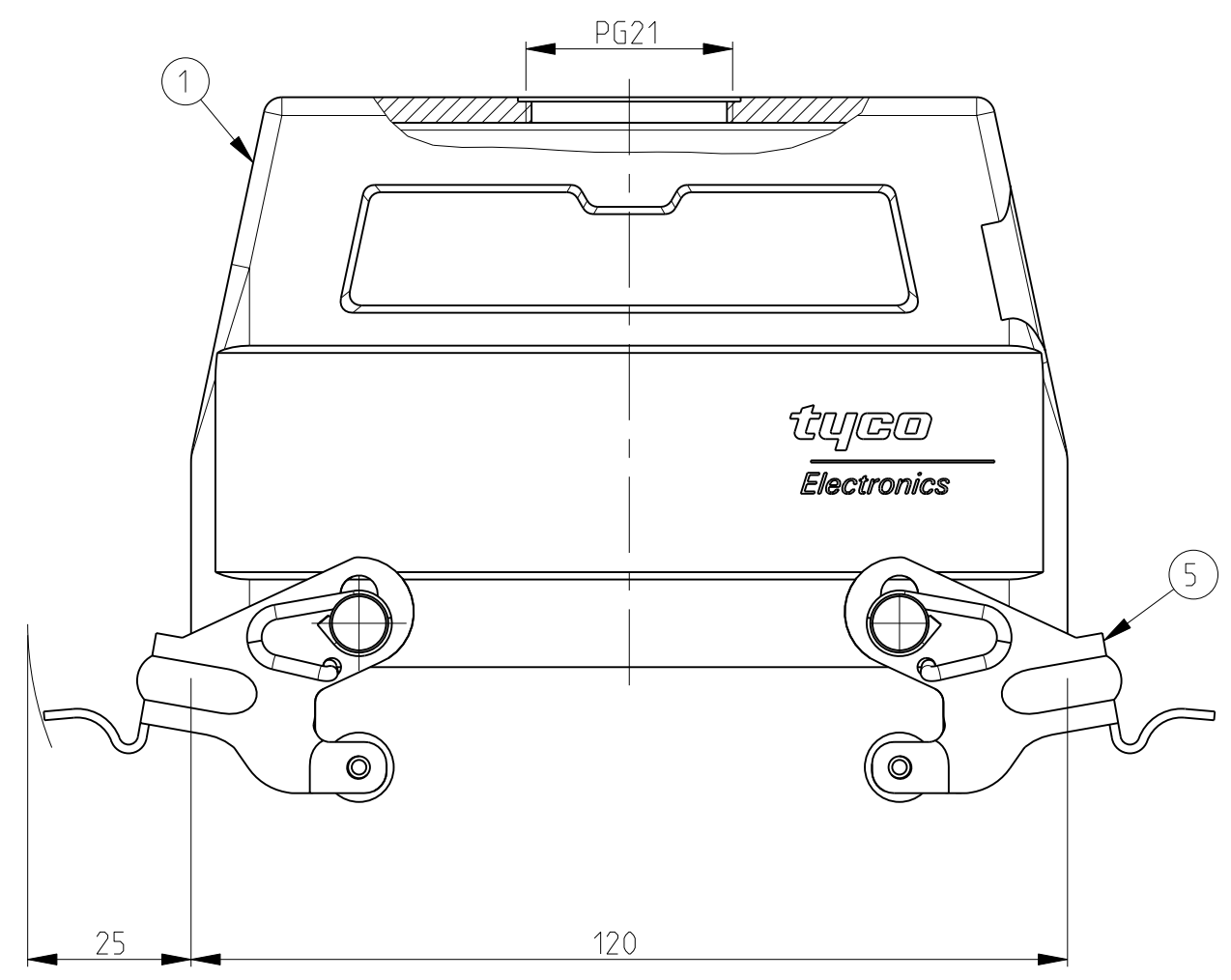
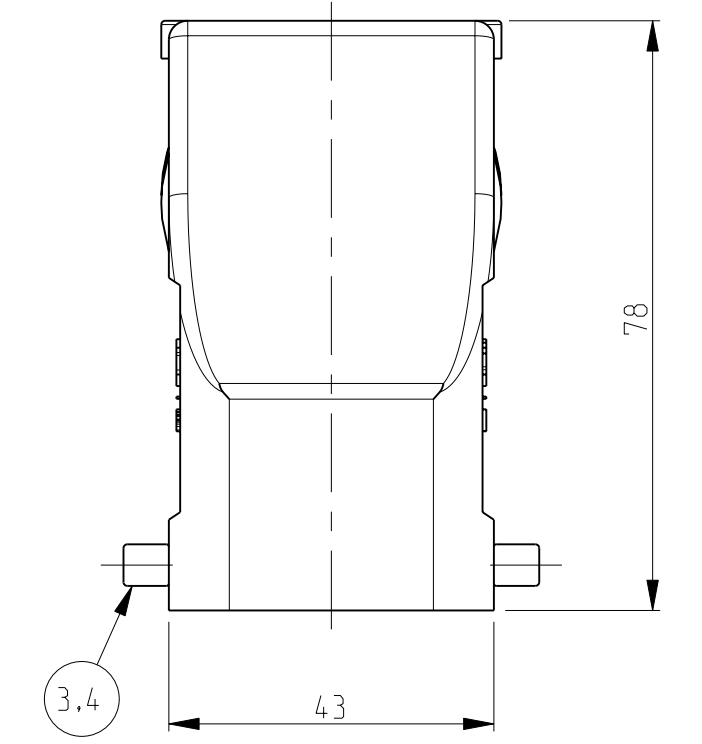
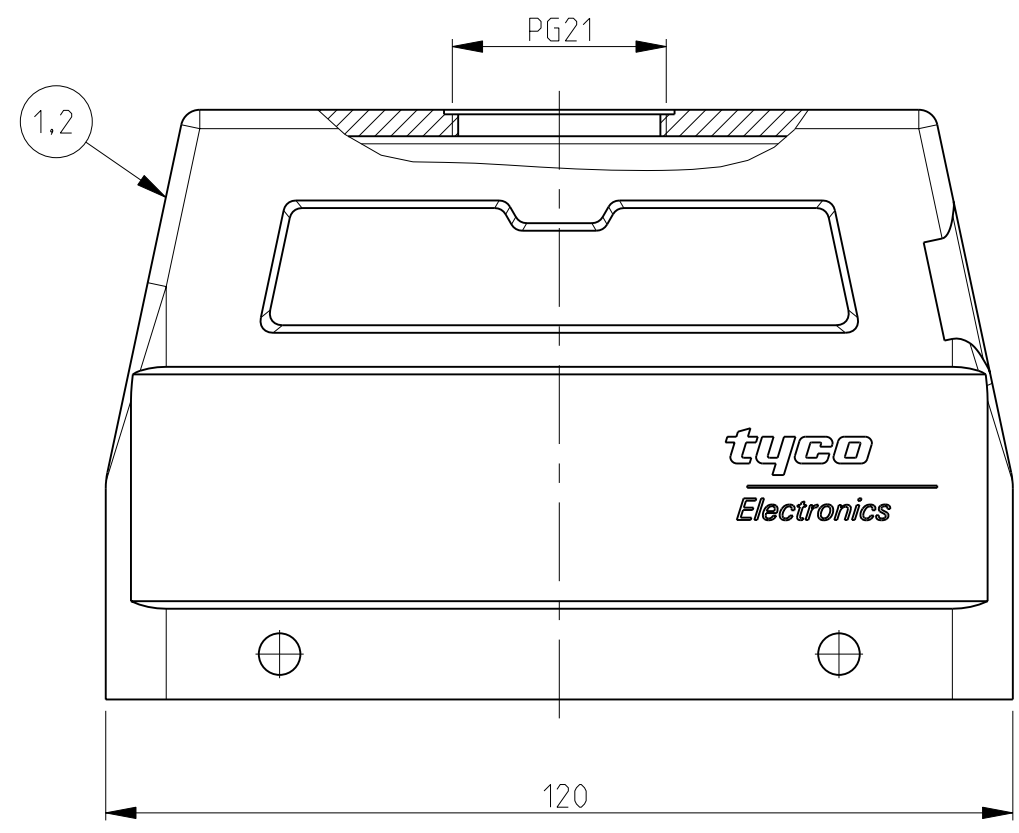
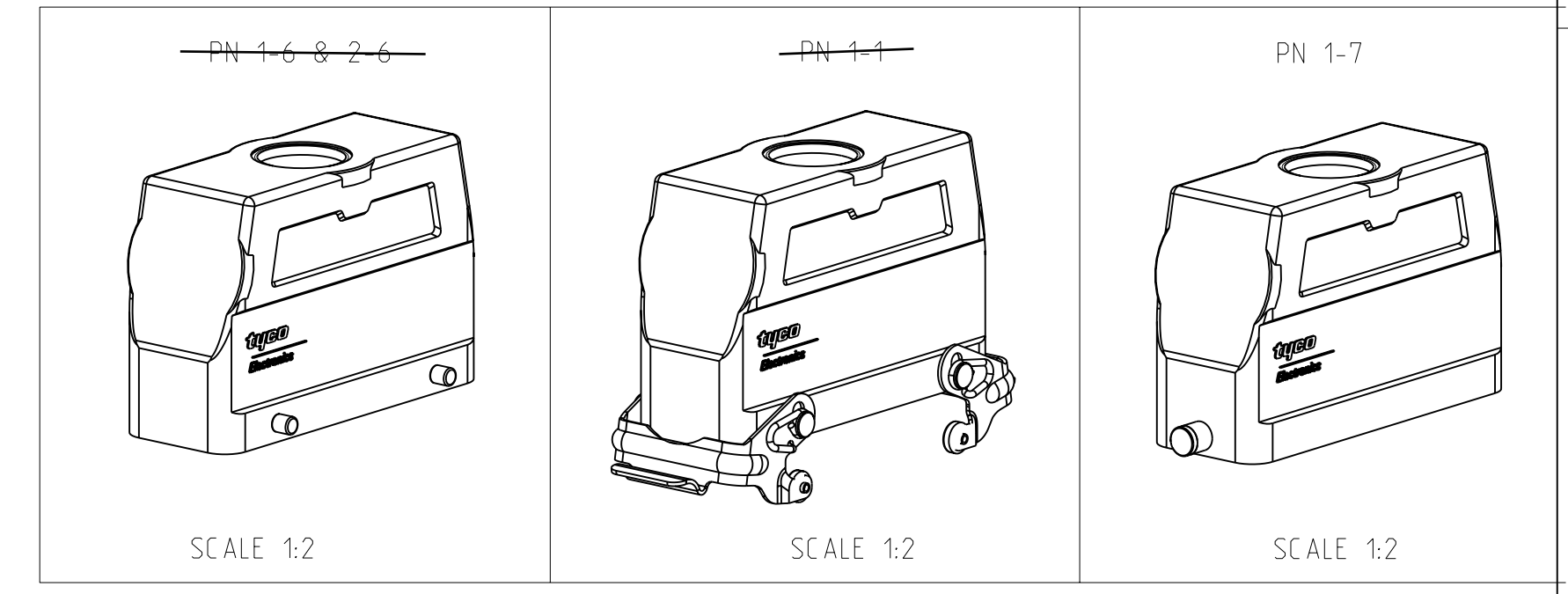


LOC	DIST	REVISIONS					
A	-	P	LTR	DESCRIPTION	DATE	DWN	APVD
		A5		Released as per ECR-08-004369	20.02.2008	SP	TS
		A6		ECR-17-014011	28MAR18	SG	MKO



NOTES.

- 1 Material:Housing:Aluminium Diecasting Alloy
Seats:Neoprene
- 2 Surface-Powder Varnish Grey
-Aluminium Oxide +
Varnish Black
- 3 Varnish on the inside not necessary
- 4 Packaging
Quantity 5 Pieces in a box



QTY	DESCRIPTION	MATERIAL	SURFACE	COLOR	ITEM NO	REMARKS
1	Hood HD.64.Pg2.21	Aluminium	-	Grey	8	
1	ZB-Central clip	Steel	Zinc plated	Blue	7	
2	LB-Clip bolt	Steel	Zinc plated	Blue	6	
2	VS-Side clip	Steel	Zinc plated	Blue	5	
4	VS-Clip bolt	Stainless steel	-	-	4	
4	VS-Clip bolt	Steel	Zinc plated	Blue	3	
1	Hood HD.64.Pg1.21	Aluminium	Aluminium oxide	Black	2	
1	Hood HD.64.Pg1.21	Aluminium	-	Grey	1	

THIS DRAWING IS CONTROLLED TECHNOLOGY AND NOT BE LOANED, REPRODUCED, COPIED, OR DISSEMINATED WITHOUT THE WRITTEN CONSENT OF TYCO ELECTRONICS CORPORATION. ALL RIGHTS RESERVED.

DATE: 09.12.98
 DWN: Schneider
 CHK: Schneider
 APVD: -

NAME: Hood
 HD.64.Sto.1.21.G

PRODUCT SPEC: 108-74001
 108-74003

APPLICATION SPEC: 114-74001
 114-74004

WEIGHT: -

CUSTOMER DRAW ING

SCALE: 1:1 SHEET: 1 OF 1 REV: A6

STE TE Connectivity