

PART NO. AND WEEK/YEAR DATE CODE TO BE PRINTED ON THE BACK OF COMPLETED CAGE ASSEMBLY APPROXIMATELY AS SHOWN ON 100114 SERIES CAGE ASSEMBLIES

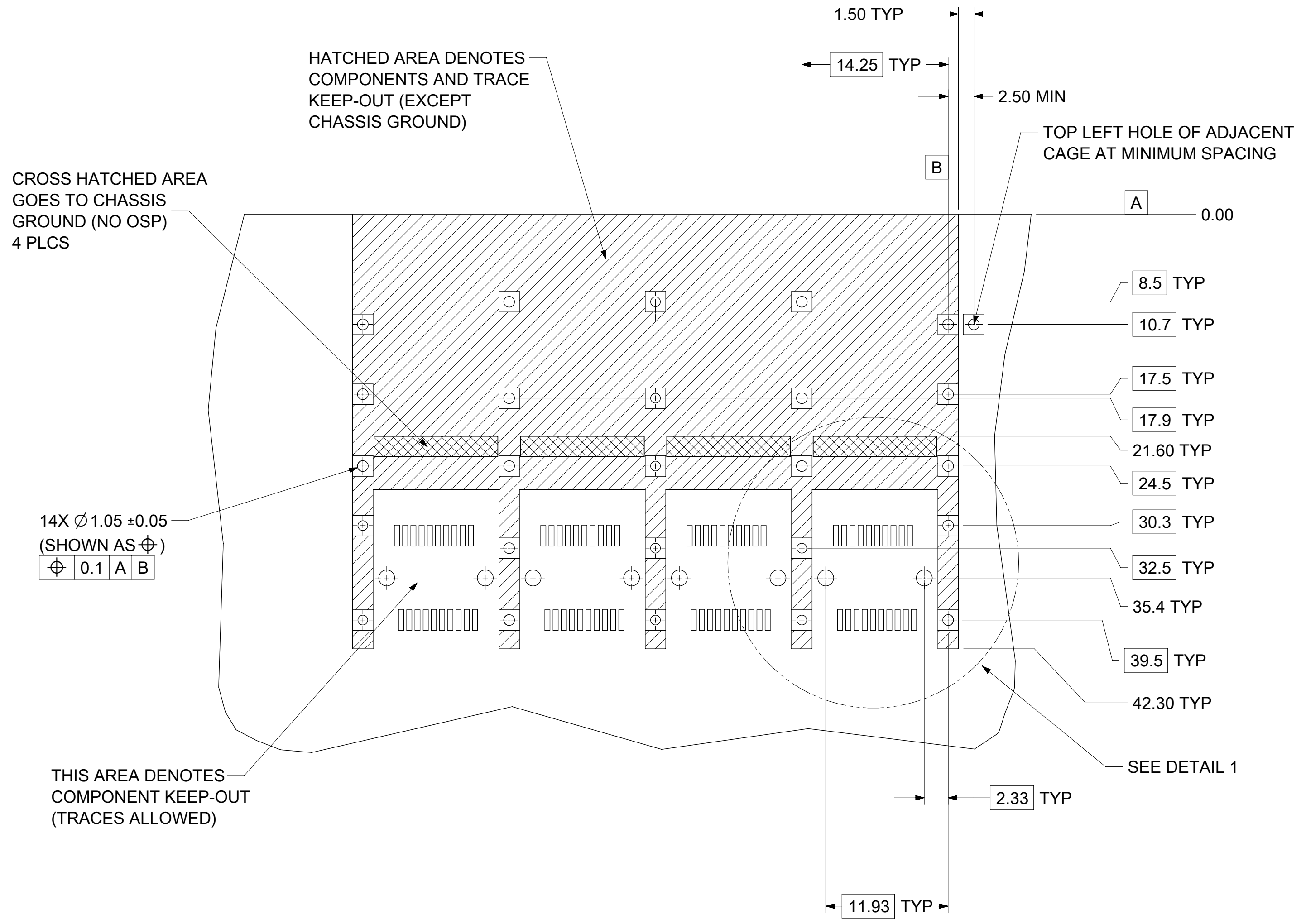
WEEK/YEAR DATE CODE TABLE	
WW	01 THRU 52 OR 53 EXAMPLE: 01 = FIRST WEEK OF YEAR 52 = LAST WEEK OF YEAR
YY	22, 23, 24 ETC. EXAMPLE: YEAR 2022 = 22

- NOTES:**
- MATERIAL:**  
CAGE: 0.25mm THICK COPPER ALLOY, NICKEL PLATED.  
SPRING FINGERS: STAINLESS STEEL.
  - PRESS FIT LEGS 3.05mm LONG:**
  - PORTS ARE DESIGNED FOR SFP+ TRANSCEIVERS AND ARE COMPATIBLE WITH SFP TRANSCEIVERS. THE TOP SURFACE OF THE MODULE MUST BE FLAT (NO PRODUCT LABEL RECESS) AND THERMALLY CONDUCTIVE TO FUNCTION OPTIMALLY.**
  - WELD SPOT MAY SHOW SLIGHT MATERIAL DISCOLORATION.**
  - NO RoHS EXEMPTIONS.**

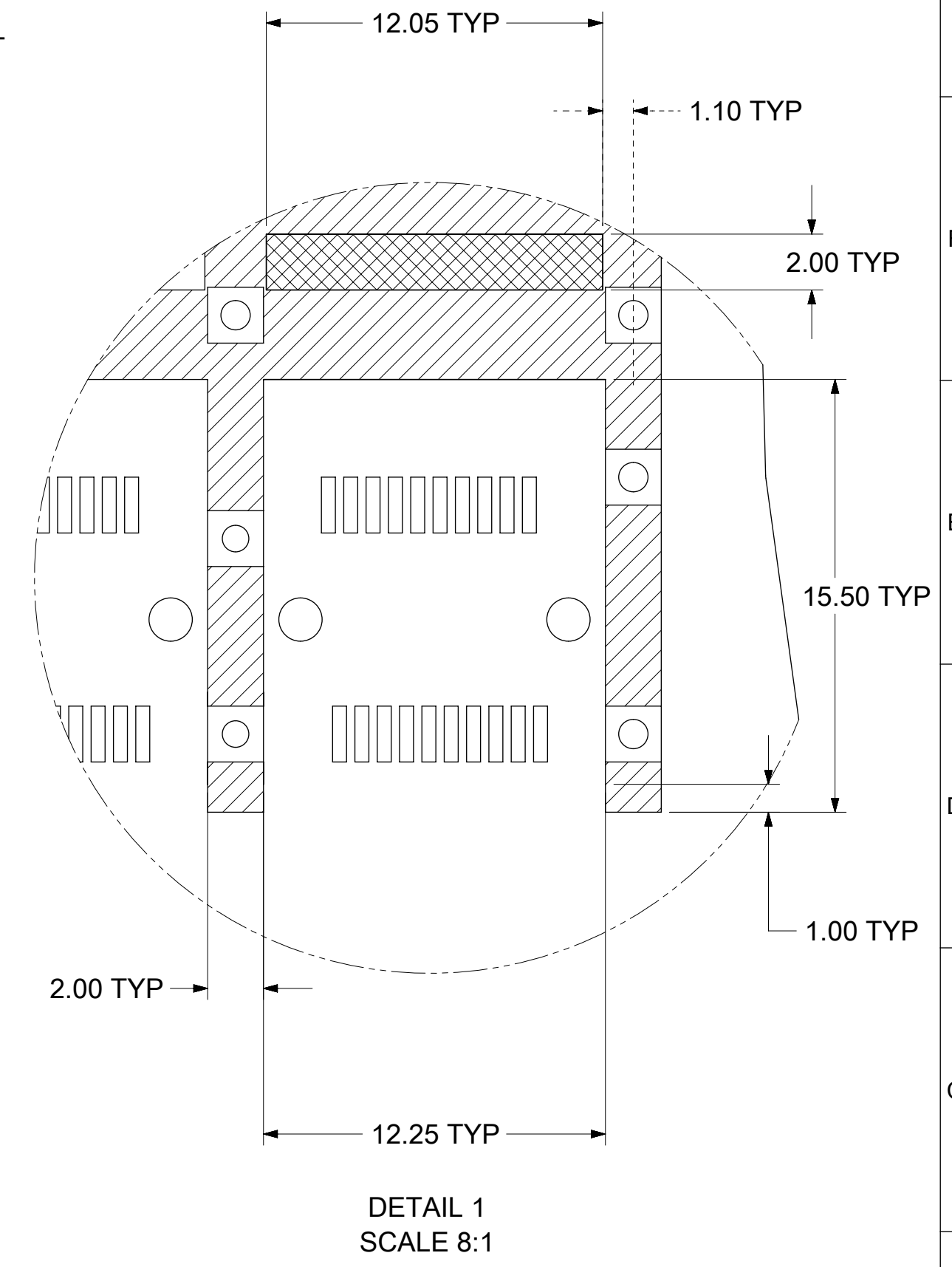
FUNCTIONAL SYMBOLS		THIS DRAWING CONTAINS INFORMATION THAT IS PROPRIETARY TO MOLEX ELECTRONIC TECHNOLOGIES, LLC AND SHOULD NOT BE USED WITHOUT WRITTEN PERMISSION		CURRENT REV DESC: SEE REVISION TABLE		
$\nabla_A = 0$	mm	SCALE	2:1	<b>molex</b> ZSFP+ 1X4 SF CAGE ASSY'S PRESS FIT, W/ SUS SF, UNDER BELLY GASKET. PRODUCT CUSTOMER DRAWING		
$\nabla_C = 0$	GENERAL TOLERANCES (UNLESS SPECIFIED)		EC NO: 707262 DRWN: ABHILT2 2022/04/19 CHK'D: TKUMARKC 2022/05/25 APPR: SCHIEN 2022/05/27			
$\nabla_P = 0$	ANGULAR TOL ± 1.0°		INITIAL REVISION: DRWN: ABHILT2 2022/04/19 APPR: SCHIEN 2022/05/27			
DIVISIONAL SYMBOLS		4 PLACES ±	3 PLACES ±	2 PLACES ± 0.15	1 PLACE ± 0.25	
DRAFT WHERE APPLICABLE MUST REMAIN WITHIN DIMENSIONS		THIRD ANGLE PROJECTION		DRAWING	SERIES	
		C-SIZE		100114	1001148420	
		MATERIAL NUMBER		CUSTOMER	SHEET NUMBER	
		1001148420			1 OF 4	

DOCUMENT STATUS	P1	RELEASE DATE	2022/05/27	10:20:25
-----------------	----	--------------	------------	----------

# PCB LAYOUT FOR SINGLE SIDE MOUNT



## HOST CONNECTOR DETAIL

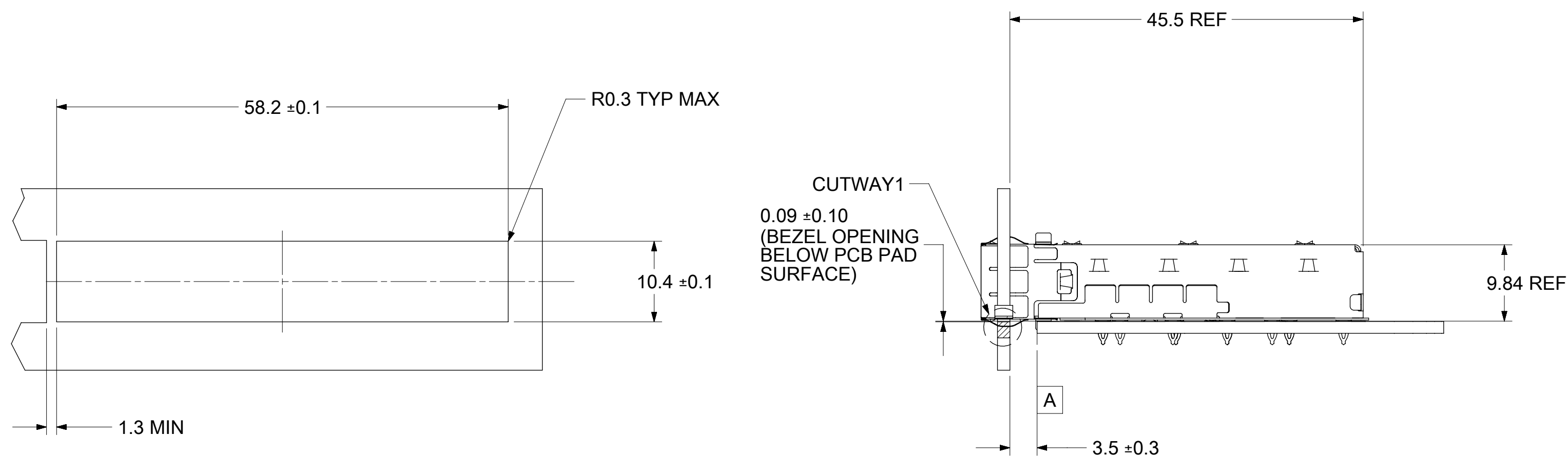


- NOTES:**
1. PADS AND VIAS CONNECT TO CHASSIS GROUND (RECOMMENDED PADS TO BE 2.00mm SQUARE)
  2. RECOMMENDED THRU HOLE PLATING INCLUDES HASL, OSP, OR IMMERSION (GOLD, SILVER, OR TIN)
  3. CONNECTOR PAD LAYOUT PER SFP+ MSA WILL ACCOMMODATE MOLEX CONNECTOR SERIES 170382 OR EQUIVALENT
  4. HOLE PATTERN REPEATS FOR EACH PORT, SPACING BETWEEN PORTS IS 14.25mm
  5. MINIMUM PCB THICKNESS FOR SINGLE SIDED USE 1.57mm.

FUNCTIONAL SYMBOLS	THIS DRAWING CONTAINS INFORMATION THAT IS PROPRIETARY TO MOLEX ELECTRONIC TECHNOLOGIES, LLC AND SHOULD NOT BE USED WITHOUT WRITTEN PERMISSION		CURRENT REV DESC: SEE REVISION TABLE		<b>molex</b>
	DIMENSION UNITS	SCALE			
$\frac{F}{A} = 0$	mm	3:1			ZSFP+ 1X4 SF CAGE ASSY'S PRESS FIT, W/ SUS SF, UNDER BELLY GASKET.
$\frac{F}{C} = 0$	GENERAL TOLERANCES (UNLESS SPECIFIED)				
$\frac{F}{P} = 0$	ANGULAR TOL ± 1.0°				PRODUCT CUSTOMER DRAWING
DIVISIONAL SYMBOLS	4 PLACES	±	EC NO: 707262	2022/04/19	
	3 PLACES	±	DRWN: ABHILT2	2022/05/25	
2 PLACES	±	0.15	CHK'D: TKUMARKC	2022/05/27	
1 PLACE	±	0.25	APPR: SCHIEN	2022/05/27	
0 PLACES	±		INITIAL REVISION:		
DRAFT WHERE APPLICABLE MUST REMAIN WITHIN DIMENSIONS		THIRD ANGLE PROJECTION	DRWING	SERIES	DOCUMENT NUMBER
			C-SIZE	100114	1001148420
					MATERIAL NUMBER
					CUSTOMER
					SHEET NUMBER
					2 OF 4

DOCUMENT STATUS	P1	RELEASE DATE	2022/05/27	10:20:25
-----------------	----	--------------	------------	----------

# BEZEL AND BOARD POSITION DIMENSIONS FOR SINGLE SIDE MOUNTING (SPRING FINGER)

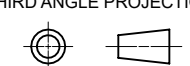


- NOTE:**
1. PCB THICKNESS VARIATION MUST BE CONSIDERED WHEN DETERMINING BEZEL OPENING LOCATION.
  2. CAGE LEG STANDOFF WILL PIERCE BELLY GASKET WHEN PROPERLY PRESSED INTO PCB.

<b>FUNCTIONAL SYMBOLS</b>	THIS DRAWING CONTAINS INFORMATION THAT IS PROPRIETARY TO MOLEX ELECTRONIC TECHNOLOGIES, LLC AND SHOULD NOT BE USED WITHOUT WRITTEN PERMISSION															
$\frac{F}{A} = 0$	DIMENSION UNITS	SCALE	CURRENT REV DESC: SEE REVISION TABLE							<h1 style="margin: 0;">molex</h1>  ZSFP+ 1X4 SF CAGE ASSY'S PRESS FIT, W/ SUS SF, UNDER BELLY GASKET.						
$\frac{F}{C} = 0$	mm	2:1	GENERAL TOLERANCES (UNLESS SPECIFIED)													
$\frac{F}{P} = 0$	ANGULAR TOL ± 1.0°															
<b>DIVISIONAL SYMBOLS</b>	4 PLACES ±		EC NO: 707262		2022/04/19		PRODUCT CUSTOMER DRAWING									
	3 PLACES ±		DRWN: ABHILT2		2022/05/25											
	2 PLACES ± 0.15		CHK'D: TKUMARKC		2022/05/27		DOCUMENT NUMBER									
	1 PLACE ± 0.25		APPR: SCHIEN		2022/05/27					<h2 style="margin: 0;">1001148420</h2>		DOC TYPE	DOC PART	REVISION		
	0 PLACES ±		INITIAL REVISION:				<b>PSD</b>		<b>ASY</b>			<b>A</b>				
	DRAFT WHERE APPLICABLE MUST REMAIN WITHIN DIMENSIONS		DRWN: ABHILT2		2022/04/19						<b>1001148420</b>			<b>3 OF 4</b>		
			APPR: SCHIEN		2022/05/27		<b>C-SIZE</b>		<b>100114</b>				<b>1001148420</b>			<b>CUSTOMER</b>
			THIRD ANGLE PROJECTION								<b>1001148420</b>				<b>1001148420</b>	
			DRAWING				<b>1001148420</b>		<b>1001148420</b>				<b>3 OF 4</b>			
			SERIES								<b>1001148420</b>				<b>1001148420</b>	
			MATERIAL NUMBER				<b>1001148420</b>		<b>1001148420</b>				<b>3 OF 4</b>			
			CUSTOMER								<b>1001148420</b>				<b>1001148420</b>	
			SHEET NUMBER				<b>1001148420</b>		<b>1001148420</b>				<b>3 OF 4</b>			
											<b>1001148420</b>				<b>1001148420</b>	

H  
G  
F  
E  
D  
C  
B  
A

REV	DATE	DESCRIPTION
A	2022/05/25	INITIAL RELEASE

<b>FUNCTIONAL SYMBOLS</b> $\nabla_A = 0$ $\nabla_C = 0$ $\nabla_P = 0$	THIS DRAWING CONTAINS INFORMATION THAT IS PROPRIETARY TO MOLEX ELECTRONIC TECHNOLOGIES, LLC AND SHOULD NOT BE USED WITHOUT WRITTEN PERMISSION			
	<b>DIMENSION UNITS</b> mm	<b>SCALE</b> 1:1	CURRENT REV DESC: SEE REVISION TABLE	
	<b>GENERAL TOLERANCES (UNLESS SPECIFIED)</b> ANGULAR TOL $\pm 1.0^\circ$		EC NO: 707262 DRWN: ABHILT2 CHK'D: TKUMARKC APPR: SCHIEN	2022/04/19 2022/05/25 2022/05/27
	<b>DIVISIONAL SYMBOLS</b> 4 PLACES $\pm$ 3 PLACES $\pm$ 2 PLACES $\pm 0.15$ 1 PLACE $\pm 0.25$ 0 PLACES $\pm$		INITIAL REVISION: DRWN: ABHILT2 APPR: SCHIEN	2022/04/19 2022/05/27
DRAFT WHERE APPLICABLE MUST REMAIN WITHIN DIMENSIONS		THIRD ANGLE PROJECTION 	DRAWING C-SIZE	SERIES 100114
<b>DOCUMENT STATUS</b> P1		<b>RELEASE DATE</b> 2022/05/27 10:20:25	DOCUMENT NUMBER <b>1001148420</b>	
DOC TYPE PSD		DOC PART ASY	REVISION A	SHEET NUMBER 4 OF 4



ZSFP+ 1X4 SF CAGE ASSY'S PRESS FIT, W/ SUS SF, UNDER BELLY GASKET.

PRODUCT CUSTOMER DRAWING