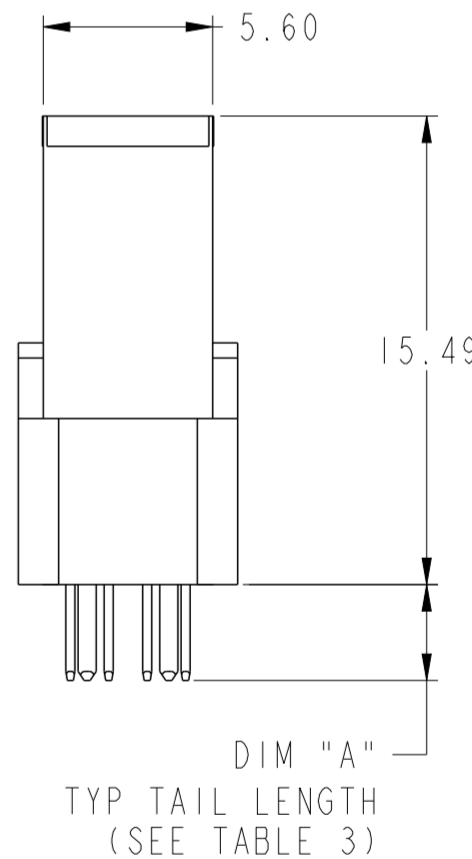
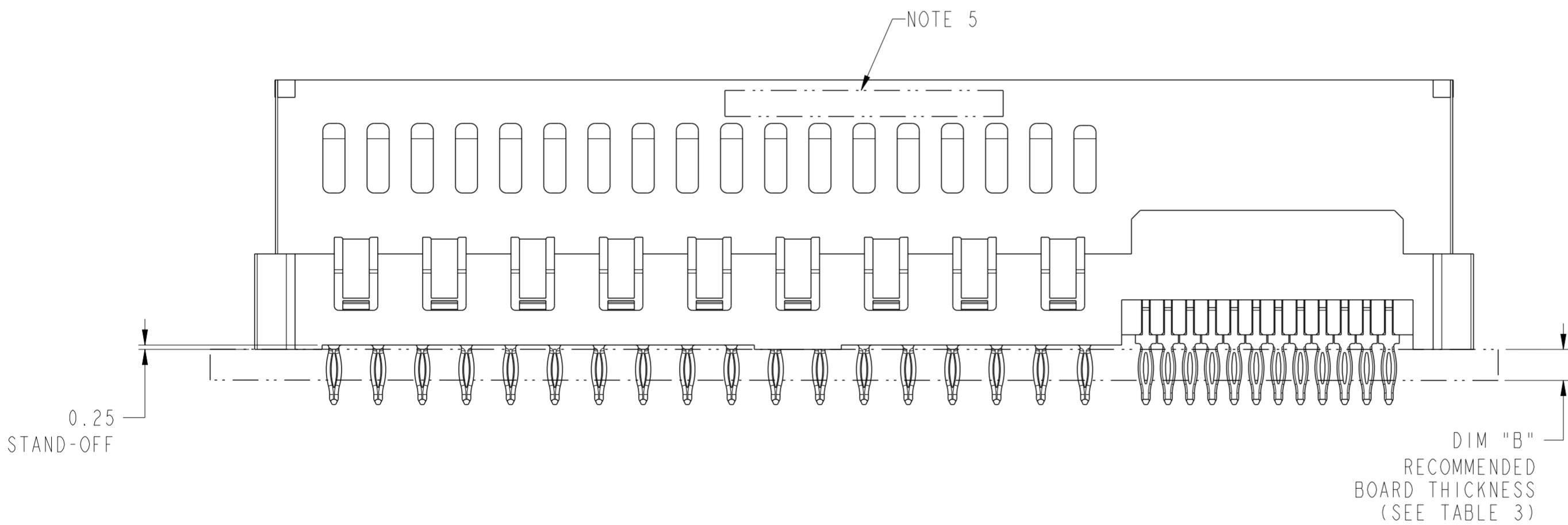
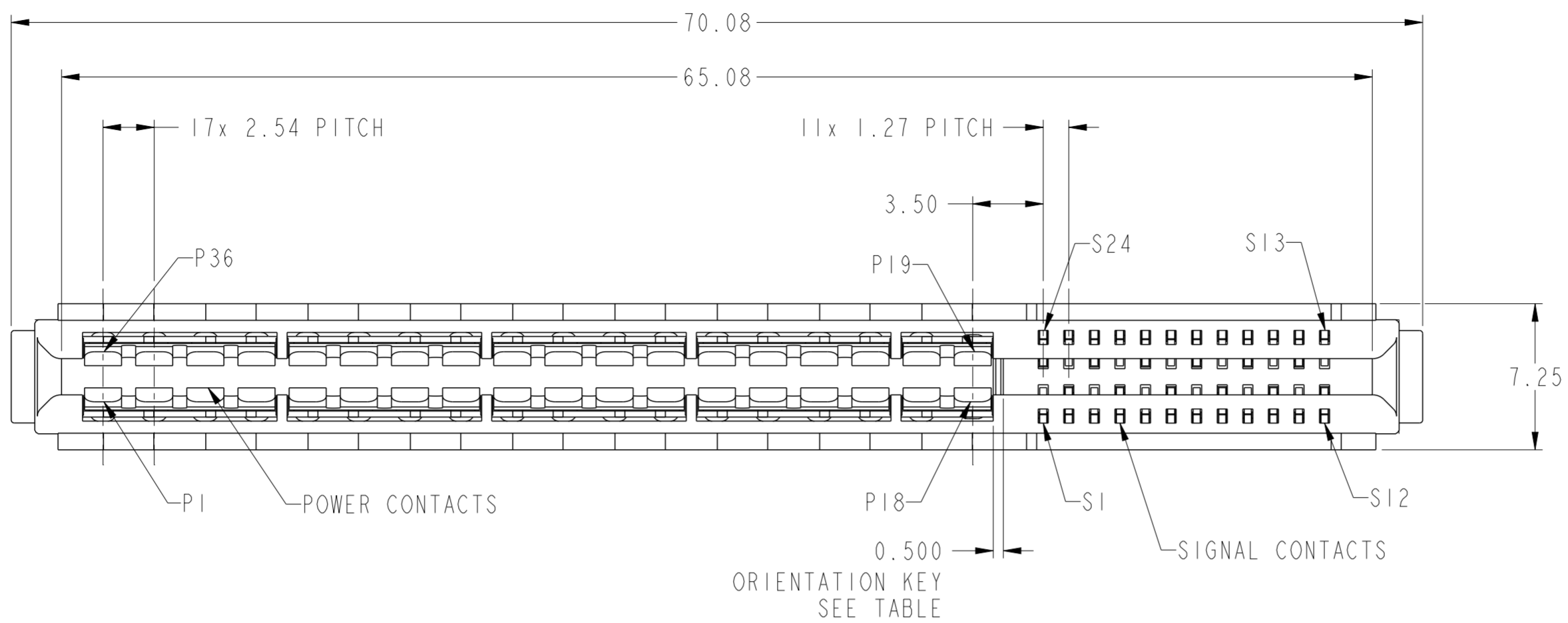


A
B
C
D
E
F



Copyright FCI.
FCI

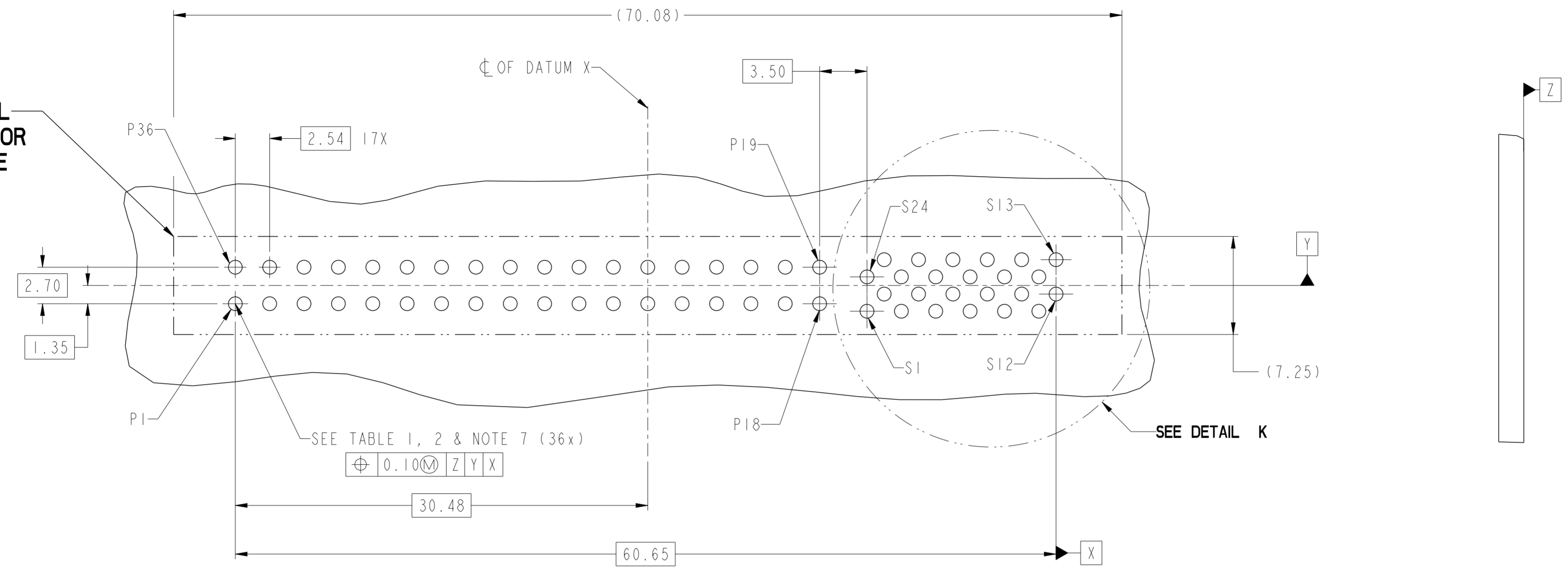
spec ref	-	dr	Hai-Ling Liu	2014/07/10	projection	MM	size	A2	scale	4:1	
tolerance std	ASME Y14.5	eng	Hai-Ling Liu	2014/07/23			ecn no	-	rel level	Released	
TOLERANCES UNLESS OTHERWISE SPECIFIED		chr	-	appr			Pai-Ming Zheng	2014/07/23	product family	CARD EDGE	
surface	ASME Y14.5	linear	0.X	±0.5		VERTICAL RECT(36P-24S) NO PLASTIC PEG HIGH POWER CARD EDGE	dwg no	10130910	rev	A	
		angular	0°	±2°			cat. no.	-	Product - Customer	Drw	sheet 1 of 4
							www.fci.com				

PDS: Rev :A

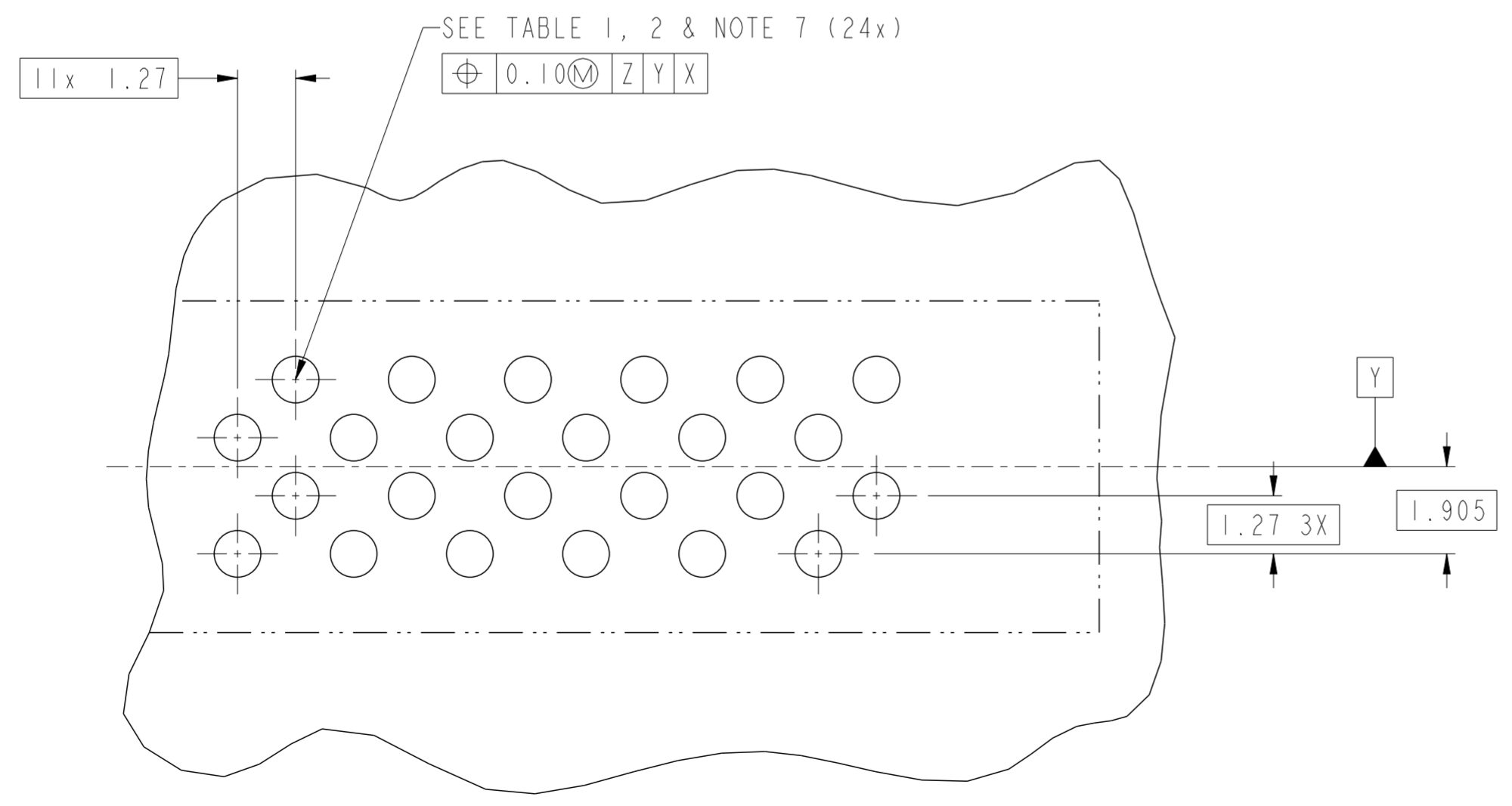
STATUS:Released

Printed: Jul 23, 2014

NOMINAL CONNECTOR OUTLINE

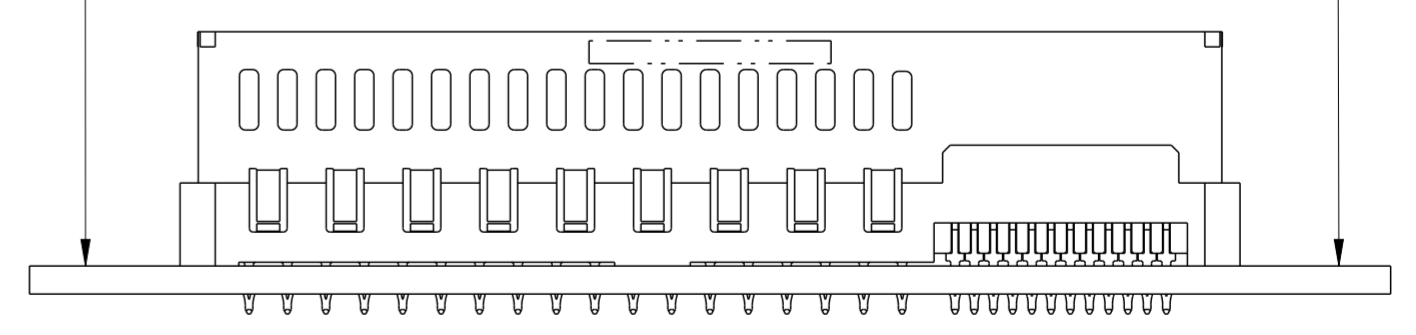


RECOMMENDED PCB
DIMENSION TOLERANCE $\pm 0.05\text{mm}$



DETAIL K
SCALE 8:1

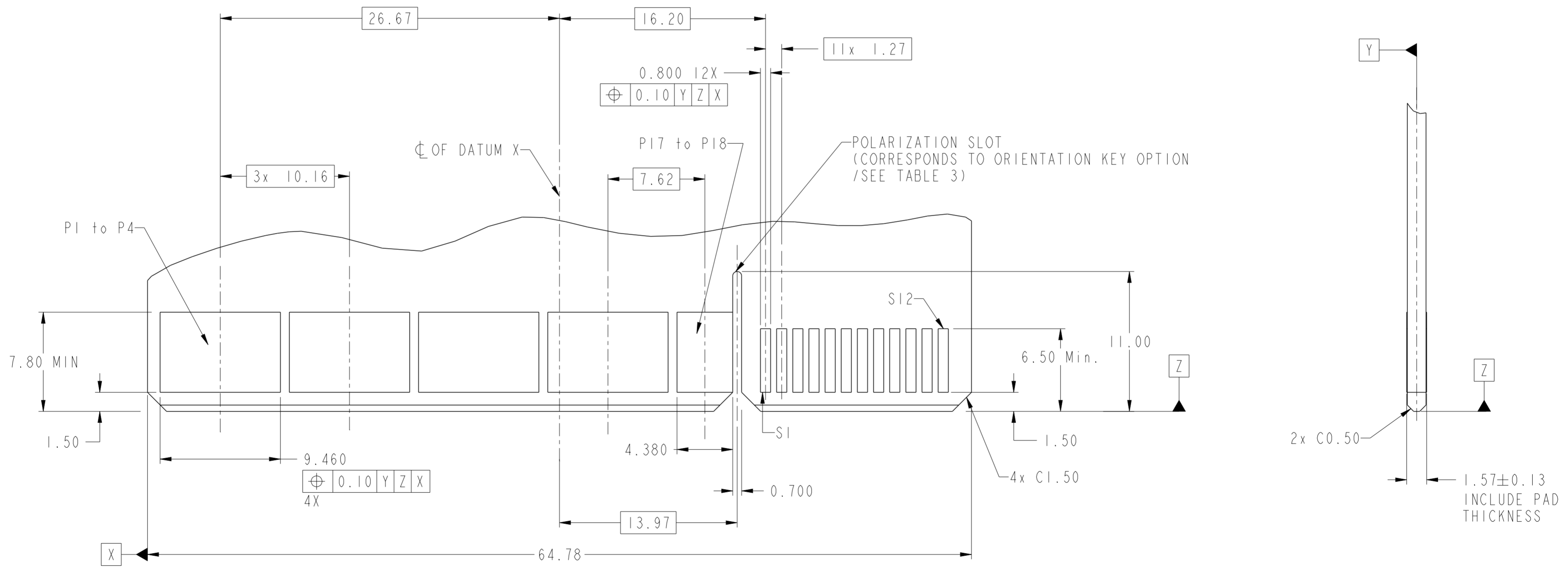
RECOMMENDED PCB LAYOUT
VIEWED FROM CONNECTOR SIDE



dr	Hai-Ling Liu	2014/07/10	projection	MM	size	A2	scale	4:1
eng	Hai-Ling Liu	2014/07/23			ecn no	-	rel level	Released
chr	-	-						
appr	Pei-Ming Zheng	2014/07/23	product family	CARD EDGE	cat. no.	10130910	rev	A
www.fci.com			Product - Customer Drw		sheet 2 of 4			

CONTACT TYPE	TOP LAYER DESCRIPTION	TABLE 1 (HPCE / SOLDER TAILS) PLATED THROUGH-HOLE REQUIREMENTS				
		DRILLED HOLE DIAMETER	COPPER THICKNESS	TIN-LEAD THICKNESS	TIN THICKNESS	FINISHED HOLE DIAMETER
POWER & SIGNAL	TIN-LEAD	1.10-1.16 (1.15 DRILL)	0.025 - 0.050	0.005 - 0.015	--	0.94 - 1.10
	IMMERSION TIN	1.10-1.16 (1.15 DRILL)	0.025 - 0.050	--	0.9 - 1.5um	0.94 - 1.10
	COPPER	1.10-1.16 (1.15 DRILL)	0.025 - 0.050	--	--	0.94 - 1.10

CONTACT TYPE	TOP LAYER DESCRIPTION	TABLE 2 (HPCE / PRESS-FIT TAILS) PLATED THROUGH-HOLE REQUIREMENTS				
		DRILLED HOLE DIAMETER	COPPER THICKNESS	TIN-LEAD THICKNESS	TIN THICKNESS	FINISHED HOLE DIAMETER
POWER & SIGNAL	TIN-LEAD	0.81-0.86 (0.85 DRILL)	0.025 - 0.050	0.005 - 0.015	--	0.65 - 0.80
	IMMERSION TIN	0.81-0.86 (0.85 DRILL)	0.025 - 0.050	--	0.9 - 1.5um	0.70 - 0.80
	COPPER	0.81-0.86 (0.85 DRILL)	0.025 - 0.050	--	--	0.70 - 0.80



RECOMMENDED MATING BOARD
FOOTPRINT
DIMENSION TOLERANCE $\pm 0.05\text{mm}$

dr	Hai-Ling Liu	2014/07/10	projection	MM	size	A2	scale	4:1
eng	Hai-Ling Liu	2014/07/23			ecn no	-	rel level	Released
chr	-	-						
appr	Pei-Ming Zheng	2014/07/23	product family	CARD EDGE	rel level	Released		
		title VERTICAL RECT(36P-24S) NO PLASTIC PEG HIGH POWER CARD EDGE			dwg no 10130910	rev A		
www.fci.com		cat. no.	Product - Customer Drw			sheet 3 of 4		



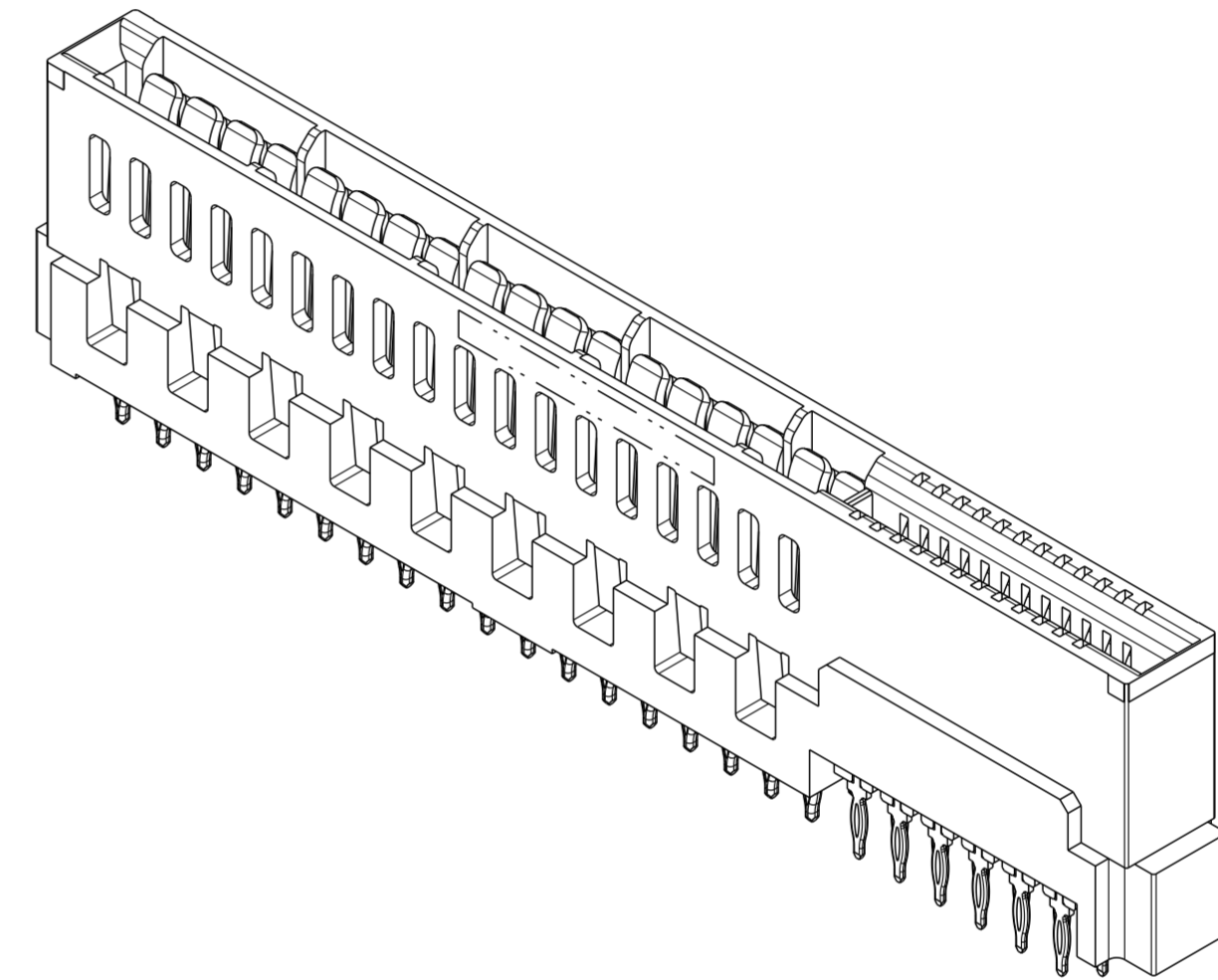
Copyright FCI.

HPCE PART NUMBER (TABLE 3)

PART NUMBER	TAIL TYPE	ORIENTATION KEY	DIM "A" TYPICAL TAIL LENGTH	DIM "B" RECOMMENDED BOARD THICKNESS
10130910-001	SOLDER	YES	3.17 ±0.25	1.57 MIN
10130910-001LF	SOLDER	YES		
10130910-002	SOLDER	NO		
10130910-002LF	SOLDER	NO		
10130910-003	PRESS-FIT	YES		
10130910-003LF	PRESS-FIT	YES		
10130910-004	PRESS-FIT	NO		
10130910-004LF	PRESS-FIT	NO		

NOTES:

- CONNECTOR MATERIALS:
 HOUSING: HIGH TEMPERATURE THERMO PLASTIC, BLACK
 UL 94V-0 COMPLIANT
 CONTACTS: HIGH PERFORMANCE COPPER ALLOY.
- CONTACT FINISH REF. GS-12-604 SECTION 5.2.
- PRODUCT SPECIFICATION: GS-12-604.
- APPLICATION SPECIFICATION: GS-20-128.
- PRODUCT MARKING (FCI - PART NUMBER & DATE CODE) ON HOUSING IN AREA SHOWN.
- PACKAGING MEETS FCI SPECIFICATION GS-14-937.
- ALL HOLE SIZES ARE FINISHED HOLE SIZES.
- MOUNTING HOLES ARE UNPLATED
 Ø 2.40 +/- 0.1 FOR PRESS-FIT TAILS
 Ø 2.10 +/- 0.1 FOR SOLDER TAILS



dr	Hai-Ling Liu	2014/07/10	projection	MM	size	A2	scale	4:1
eng	Hai-Ling Liu	2014/07/23			ecn no.	-	rel level	
chr	-	-			product family	CARD EDGE	rel level	Released
appr	Pei-Ming Zheng	2014/07/23			cat. no.	10130910	rev	A
www.fci.com			Product - Customer Drw			sheet 4 of 4		